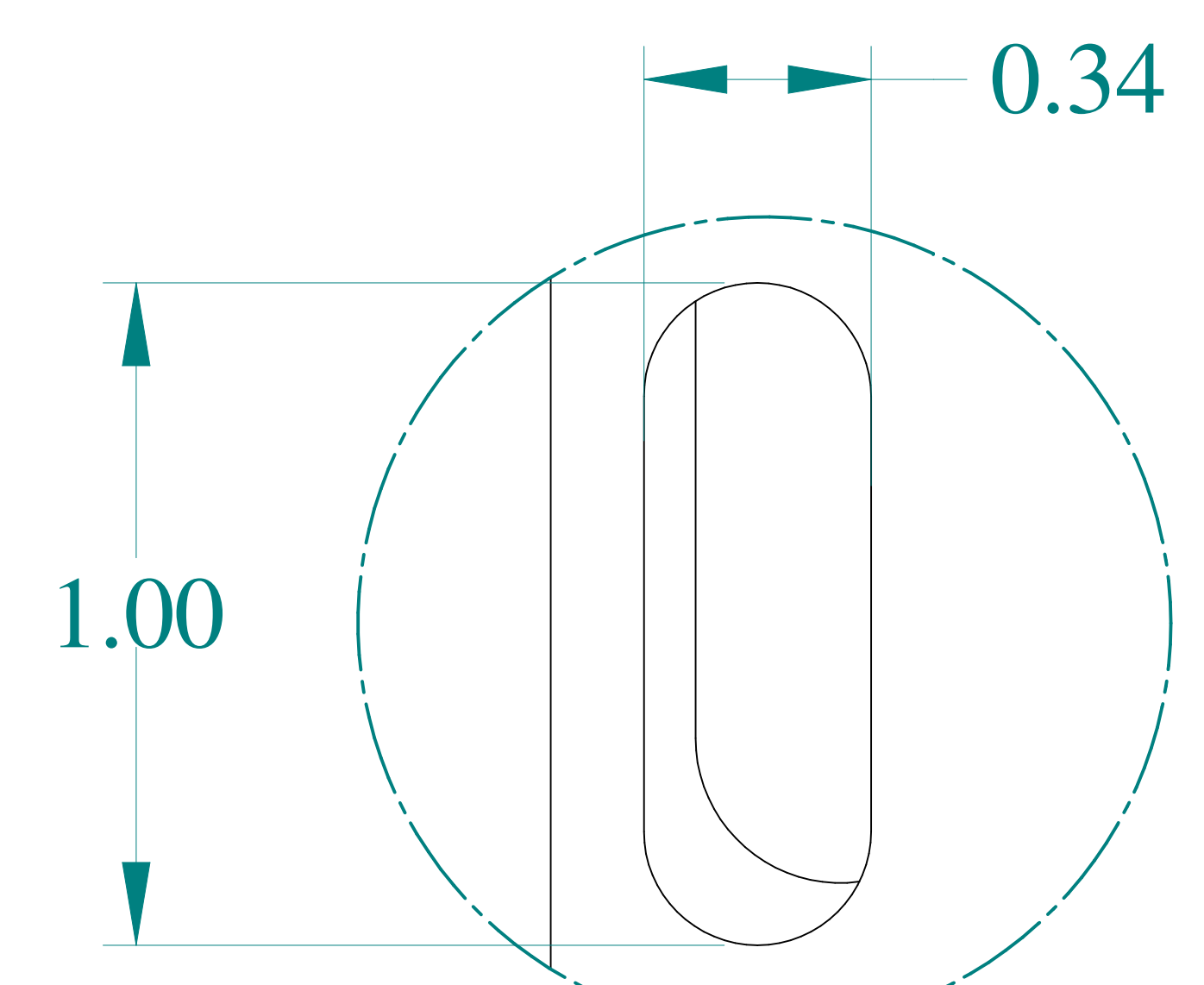
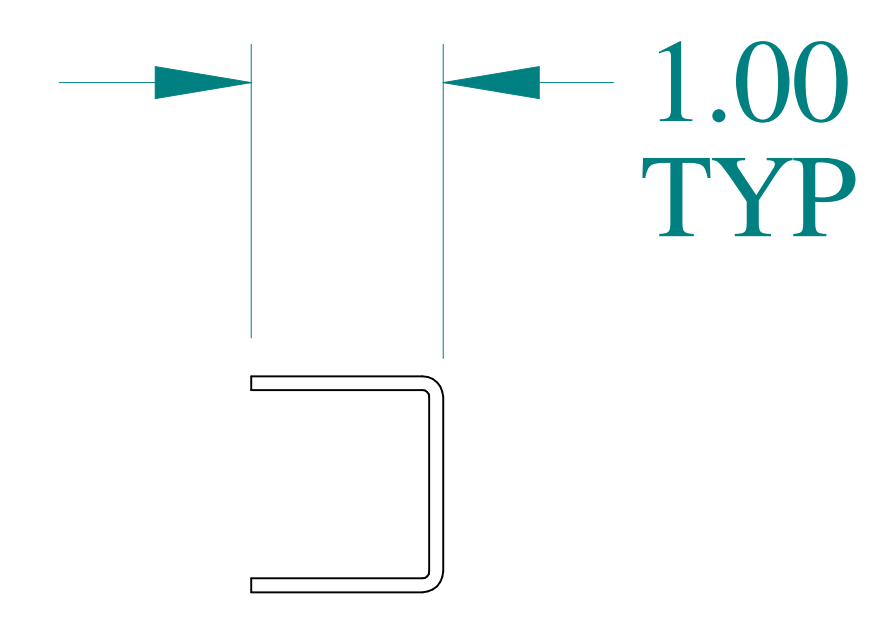
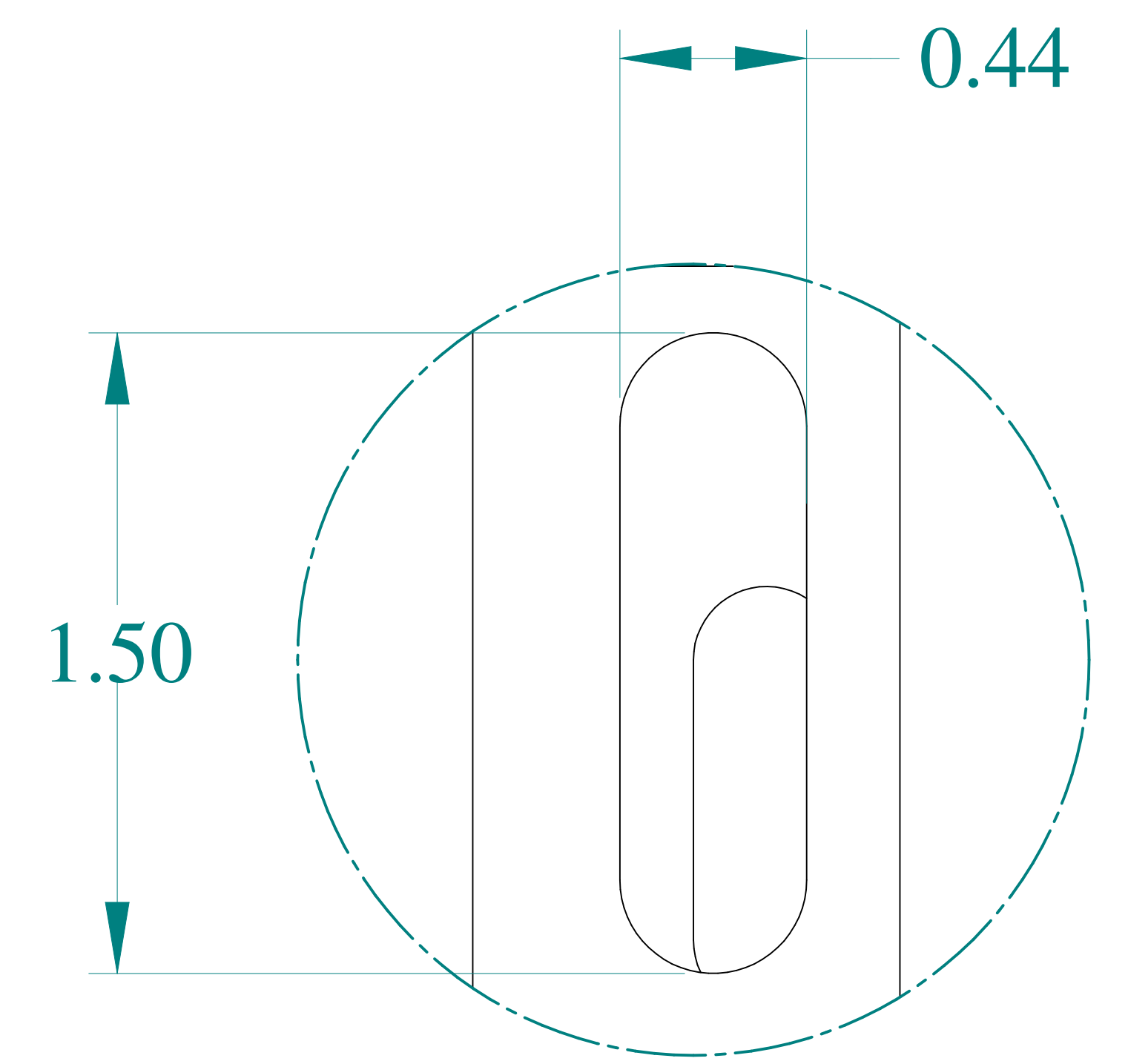


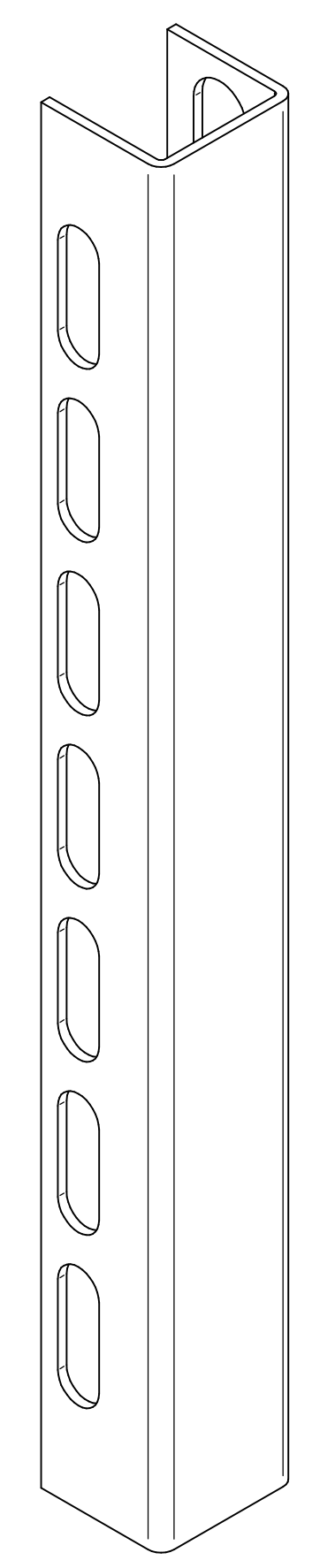
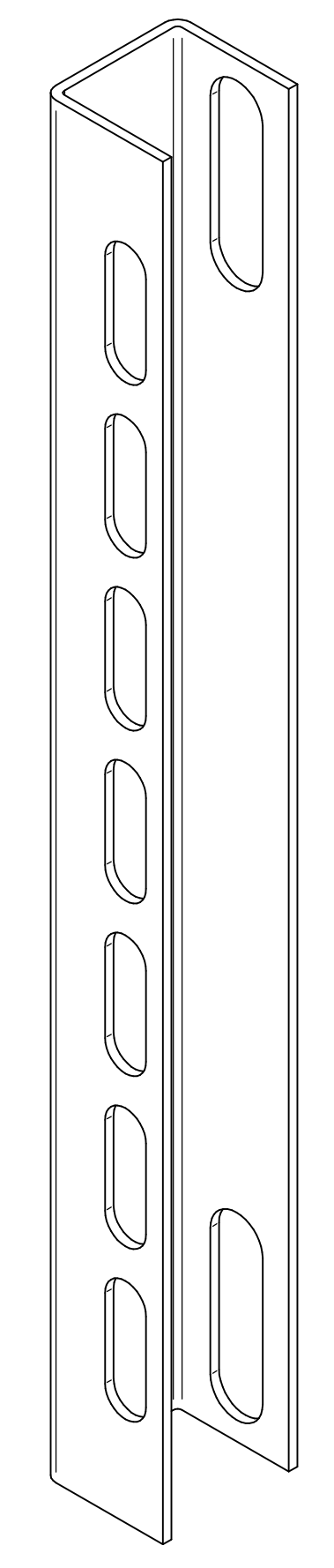
TOP VIEW



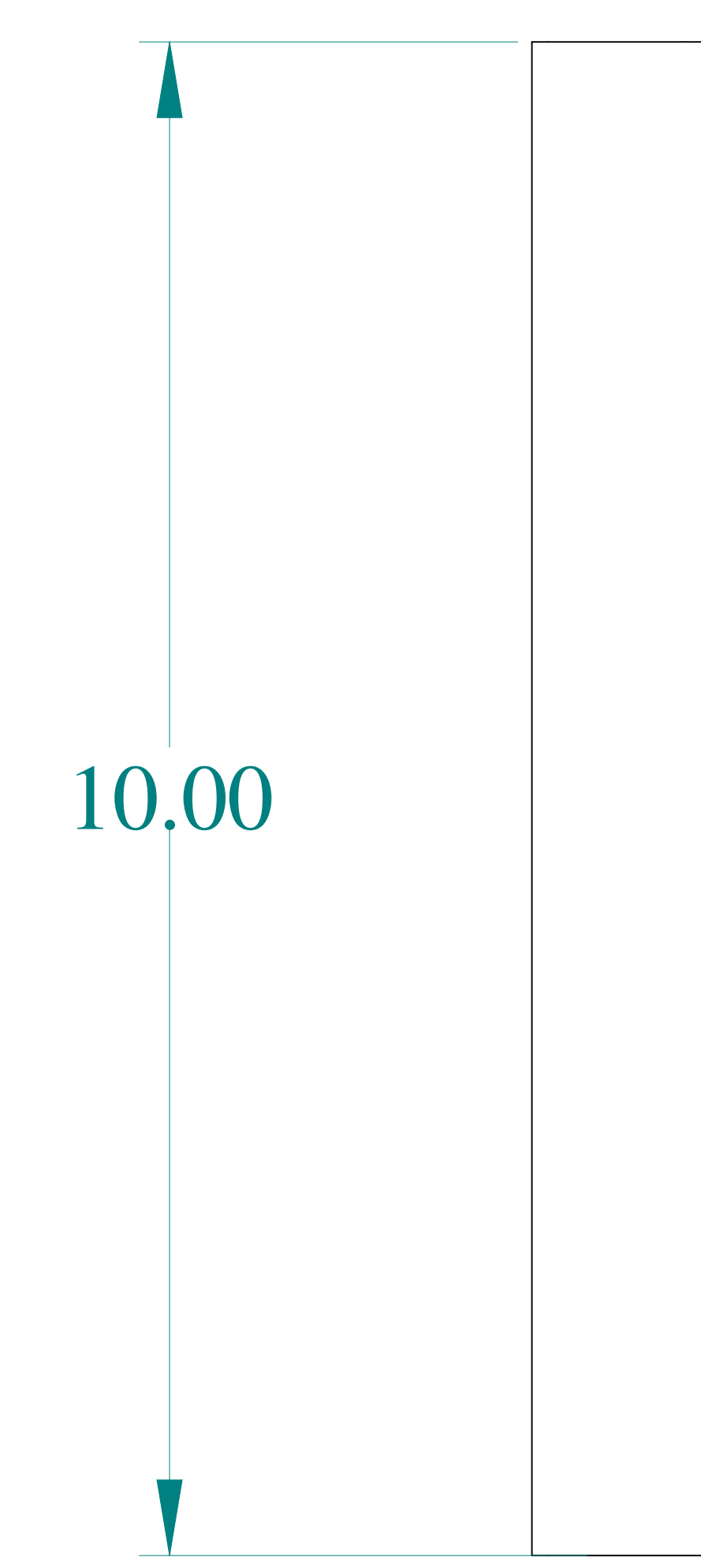
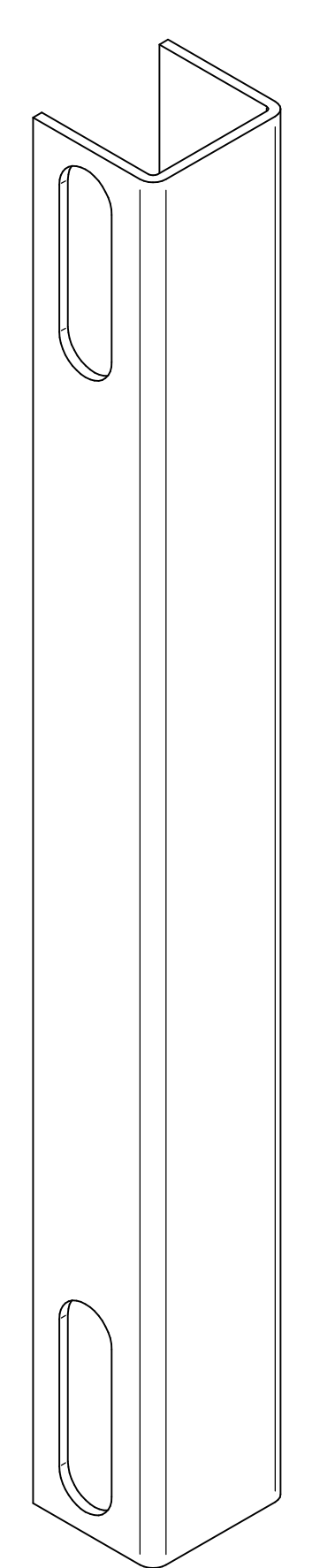
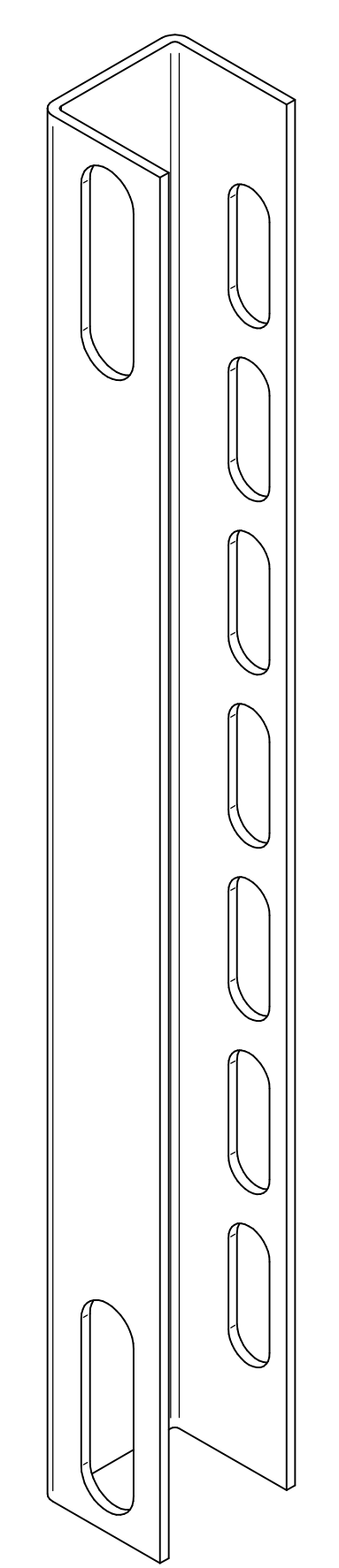
DETAIL Z
TYP



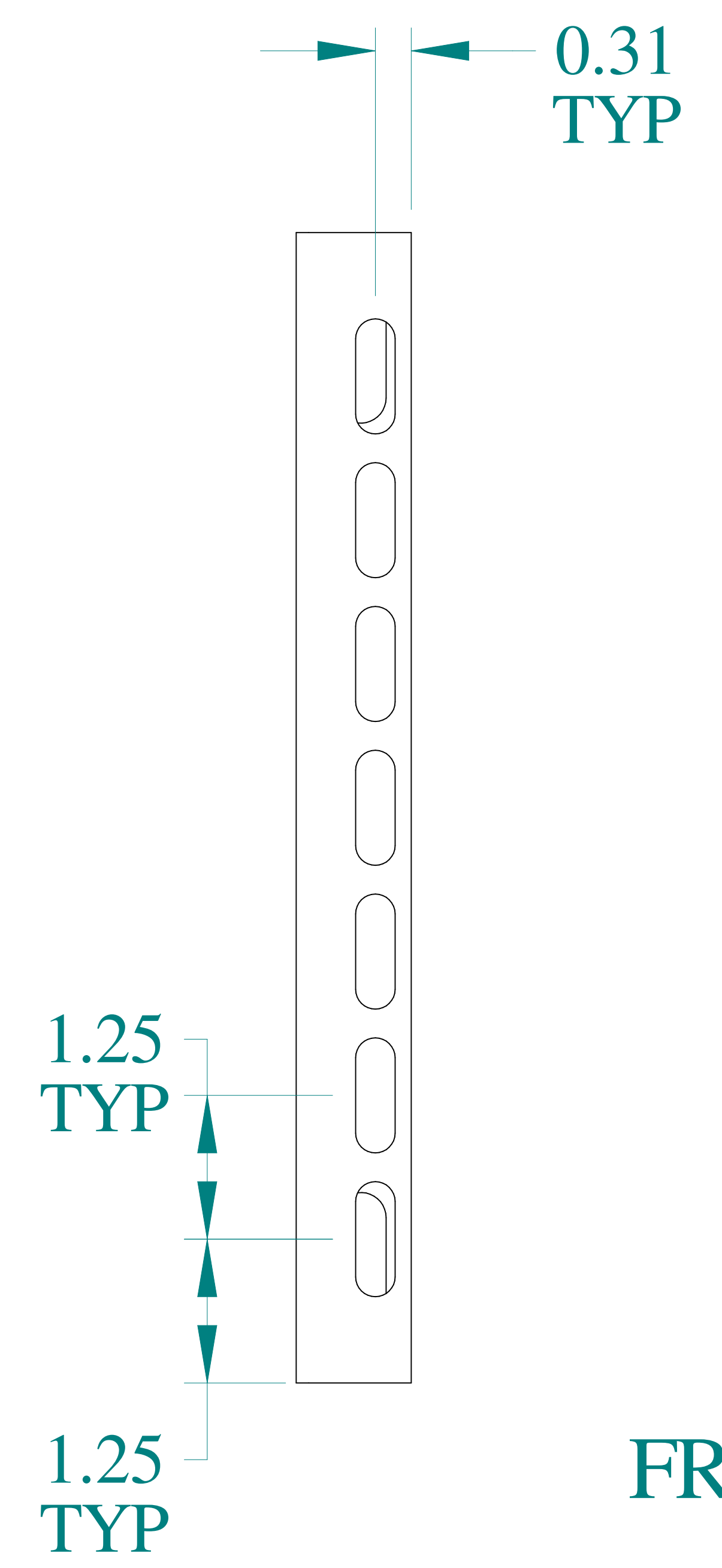
DETAIL Y
TYP



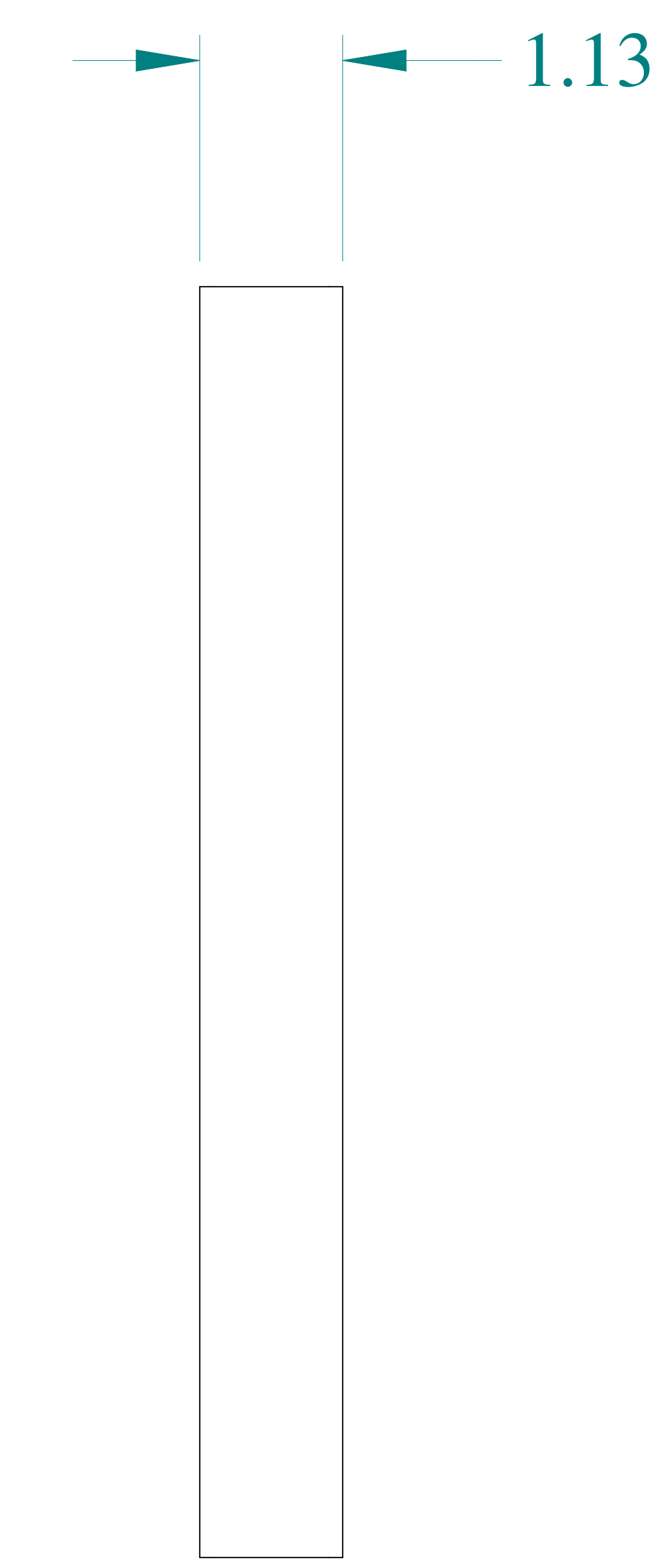
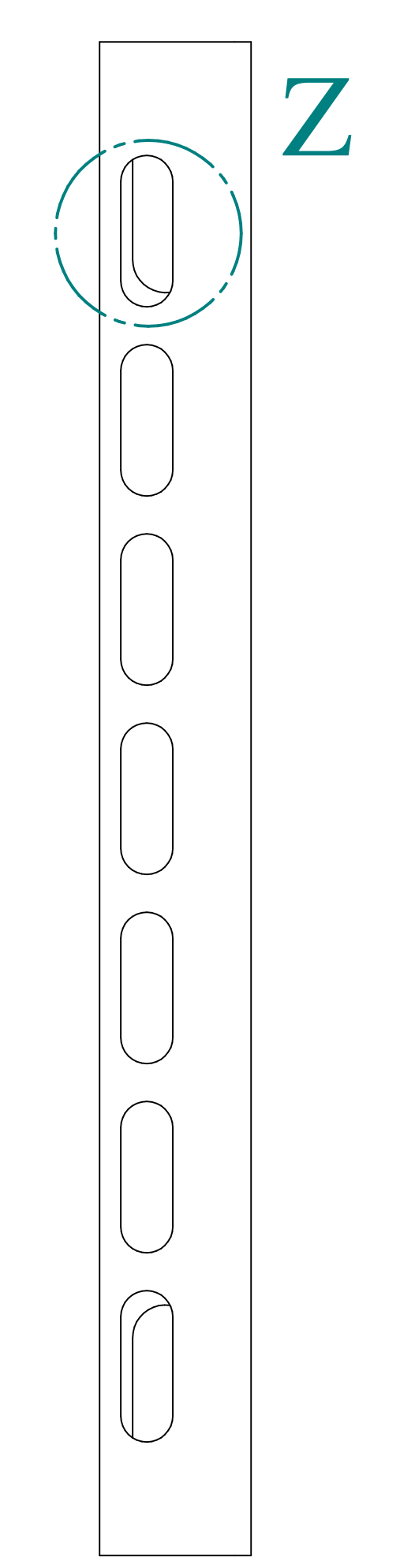
ISOMETRIC VIEWS



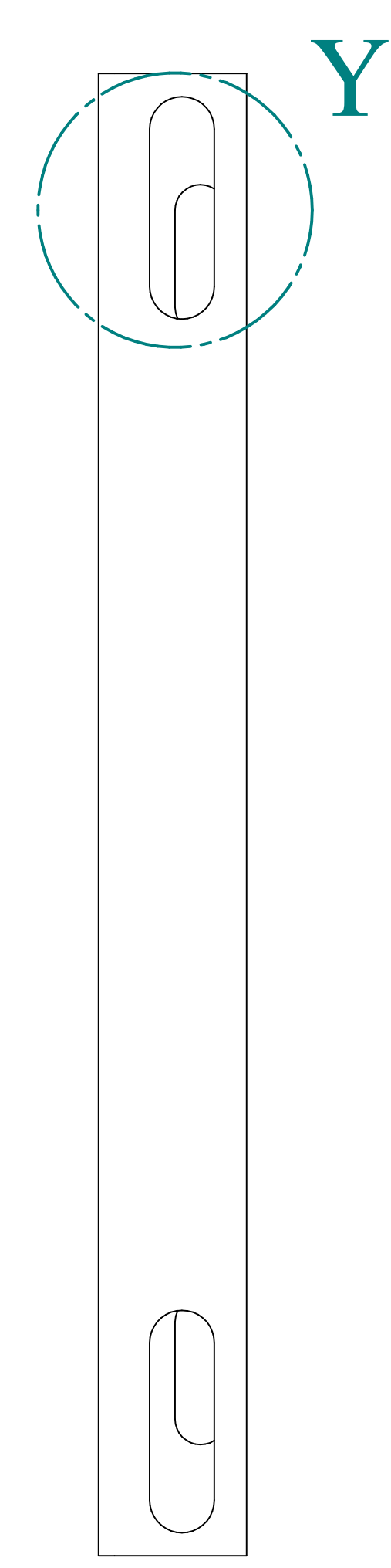
SIDE VIEW



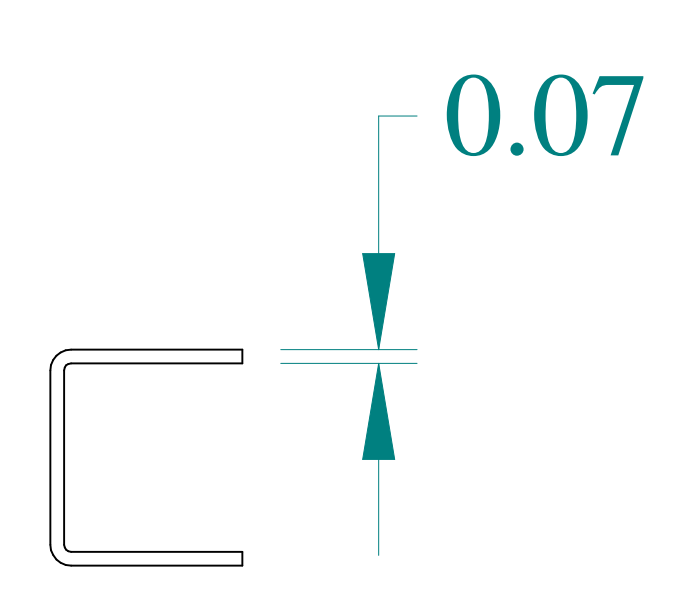
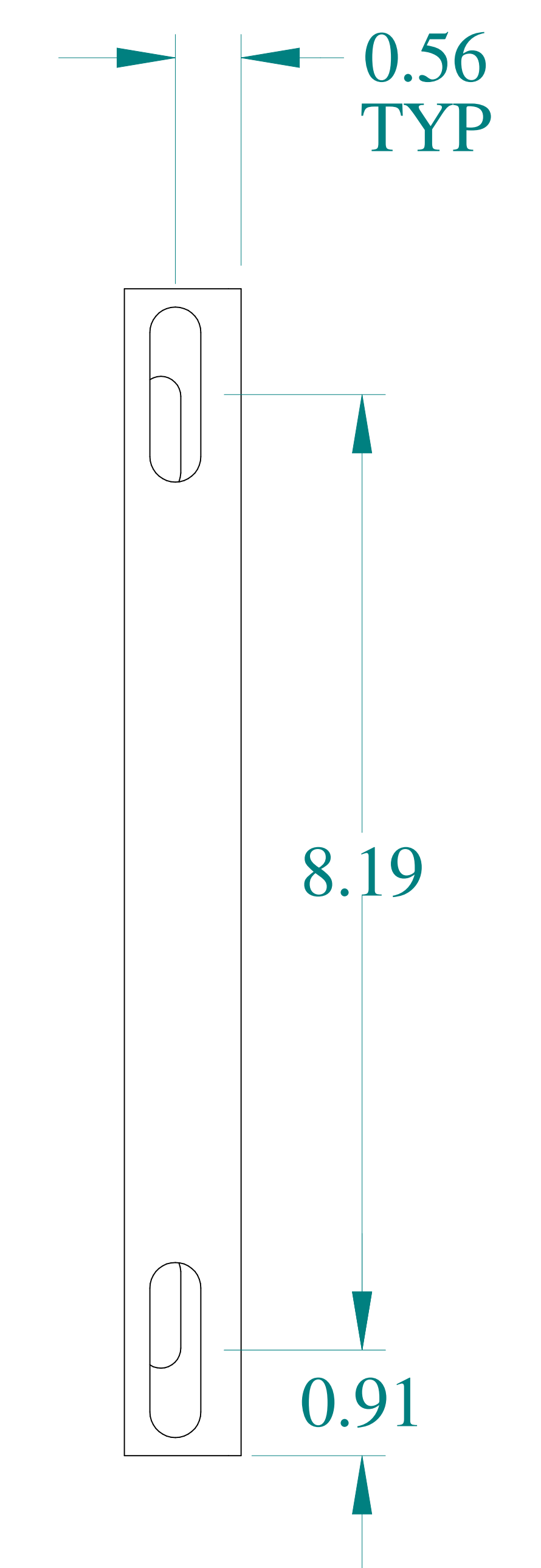
FRONT VIEW



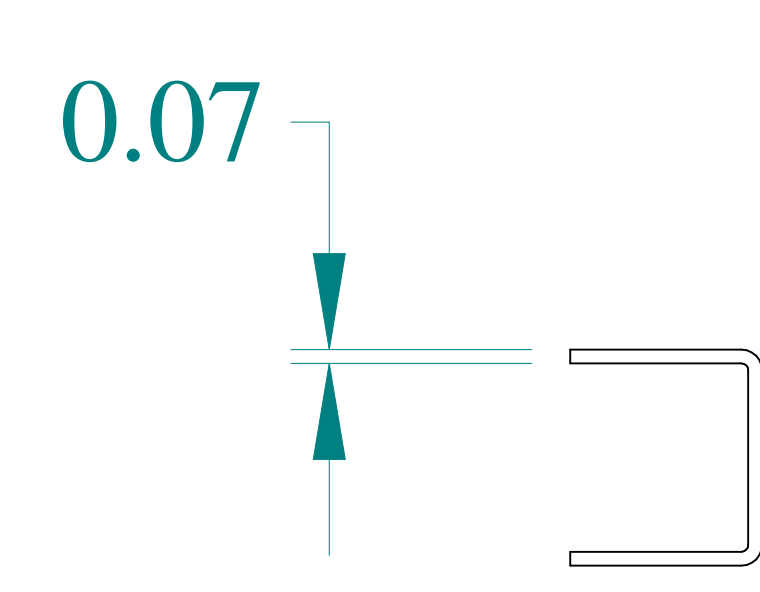
SIDE VIEW



BACK VIEW



BOTTOM VIEW



**HAMMOND
MANUFACTURING**[®]

W www.hammondmfg.com

Data subject to change without notice.

Part # : 2DMK12 Date : Mar. 24, 2019

Link:www.hammg.com/2DMK12