

# Eclipse Sloped Top Series, NEMA 4, 12

## Single Door Enclosures

Industrial Enclosures

Wallmount Enclosures



**Panel Sold Separately**



### Application

- Designed to enclose electrical and/or electronic equipment and protect against harsh, industrial environments for wallmount applications.
- Sloped top prevents water from resting on top as well as providing potential for controls mounting.
- Impressive styling features like hidden hinges and attractive latching systems make the Eclipse a suitable addition to any high-tech equipment installation.
- A wide range of sizes and practical accessories make this product line a complete package.
- For high temperature applications, a gasket retainer may be required, please refer to factory.

### Standards

- UL 508 Type 3R, 4, 12 and 13
- CSA Type 3R, 4, 12 and 13
- **Complies with**
  - NEMA 3R, 4, 12 and 13
  - IEC 60529, IP66

### Construction

- Formed 14 or 16 gauge steel.
- Continuously welded seams ground smooth.
- Door stiffeners are provided where required for increased strength and rigidity - designed to also permit additional mounting options.
- Formed lip on enclosure to exclude flowing liquids and contaminants.
- Door latches feature the added safety of quarter turn slot requiring use of tool for opening.
- Doors may be easily removed for modifications and are interchangeable.
- Oil resistant gaskets are permanently secured and can easily be replaced in the field if necessary.
- Collar studs provided for mounting inner panel.
- Includes hardware kit with panel mounting nuts and sealing washers for wall mounting holes.
- Bonding stud provided on door and grounding stud installed in enclosure.
- Hinges are finished in mild steel.
- Stainless steel hinge pins and quarter turns.

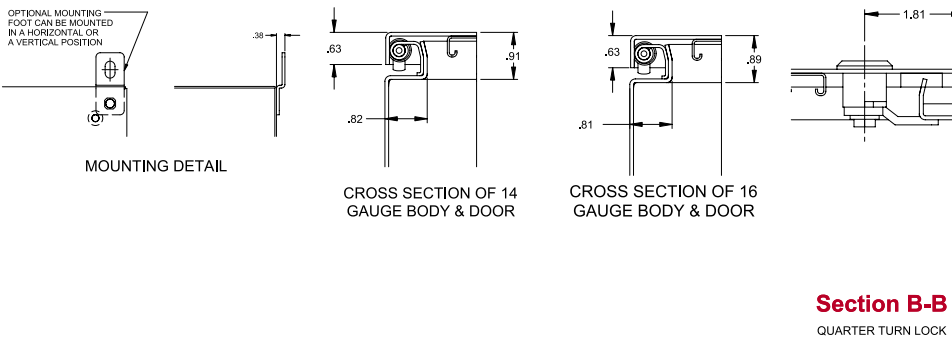
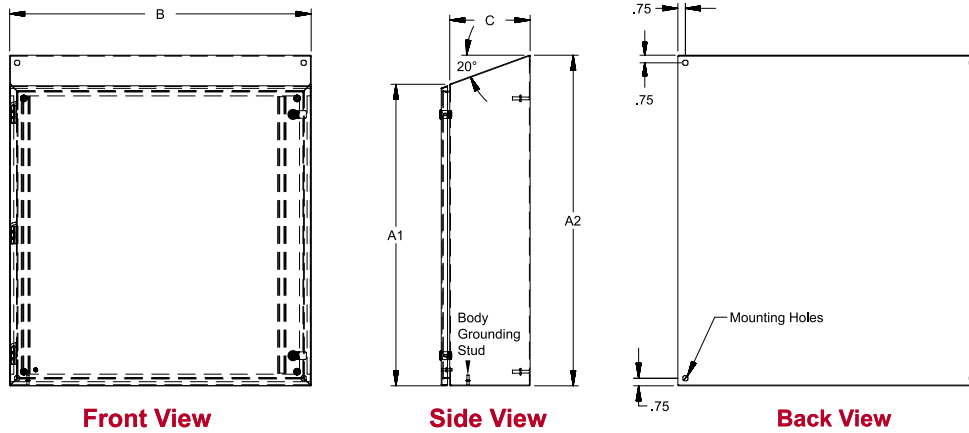
### Finish

- Cover and enclosure are finished in recoatable RAL 7035 light gray textured powder coating.

### Accessories

- Air conditioners...see page **387-405**
- Blowers...see page **406**
- Breather kits...see page **423**
- DIN rails...see page **29**
- DIN rail mounting kit...see page **29**
- Door stop kit...see page **447**
- Filter fans...see page **408-413**
- Heaters...see page **418-420**
- Handles...see page **30**
- Inner panel...see page **28**
- Quarter turn inserts and keys ...see page **30**
- Literature pocket...see page **451**
- Mounting foot kit...see page **30**
- Swing frame...see page **29**
- Swing panel...see page **28**
- Replacement hinge pins...see page **28**
- Replacement quarter turn assemblies...see page **30**
- Thermostats...see page **421**
- Touch up paint...see page **450**
- UL/CSA approved hardware kit ...see page **430**
- Padlock Adapter (EPA)...see page **431**

# Eclipse Sloped Top Series, NEMA 4, 12 Single Door Enclosures



Part Number	Dimensions [in] Enclosure Size			C	Door	Gauge		Panel Cat. Number	Latch Qty	Latch Style	Hinge Qty
	A1	A2	B			Body	Door				
ST12126LG	12	14.2	12	6	16	16	EP1212	1	Qtr Turn	2	
ST16126LG	16	18.2	12	6	16	16	EP1612	1	Qtr Turn	2	
ST20166LG	20	22.2	16	6	16	16	EP2016	1	Qtr Turn	2	
ST20206LG	20	22.2	20	6	16	16	EP2020	1	Qtr Turn	2	
ST16168LG	16	18.9	16	8	16	16	EP1616	1	Qtr Turn	2	
ST20168LG	20	22.9	16	8	16	16	EP2016	1	Qtr Turn	2	
ST20208LG	20	22.9	20	8	16	16	EP2020	1	Qtr Turn	2	
ST24208LG	24	26.9	20	8	16	16	EP2420	1	Qtr Turn	2	
ST24248LG	24	26.9	24	8	14	16	EP2424	2	Qtr Turn	2	
ST30248LG	30	32.9	24	8	14	16	EP3024	2	Qtr Turn	3	
ST30308LG	30	32.9	30	8	14	14	EP3030	2	Qtr Turn	3	
ST36308LG	36	38.9	30	8	14	14	EP3630	2	Qtr Turn	3	
ST242410LG	24	27.6	24	10	14	16	EP2424	2	Qtr Turn	2	
ST302410LG	30	33.6	24	10	14	16	EP3024	2	Qtr Turn	3	
ST363010LG	36	39.6	30	10	14	14	EP3630	2	Qtr Turn	3	
ST483610LG	48	51.6	36	10	14	14	EP4836	1	3-point	4	
ST242412LG	24	28.4	24	12	14	16	EP2424	2	Qtr Turn	2	
ST302412LG	30	34.4	24	12	14	16	EP3024	2	Qtr Turn	3	
ST363012LG	36	40.3	30	12	14	14	EP3630	2	Qtr Turn	3	
ST363612LG	36	40.3	36	12	14	14	EP3636	2	Qtr Turn	3	
ST483612LG	48	52.3	36	12	14	14	EP4836	1	3-point	4	
ST603612LG	60	64.3	36	12	14	14	EP6036	1	3-point	4	
ST363016LG	36	41.8	30	16	14	14	EP3630	2	Qtr Turn	3	
ST483616LG	48	53.7	36	16	14	14	EP4836	1	3-point	4	
ST302420LG	30	37.3	24	20	14	14	EP3024	2	Qtr Turn	3	

Technical references and DXF downloads available at [www.hamfmfg.com](http://www.hamfmfg.com)

All dimensions in inches unless specified otherwise

**Quality Enclosures. Service Excellence.**