

# 1418 Series Single Door Aluminum Enclosures - NEMA 4

Continuous Hinge, Clamped Cover



Corrosion Resistant

Wallmount Enclosures

## Application

- Designed for use as instrument enclosures, electric, hydraulic or pneumatic control housings, electrical junction boxes or terminal wiring enclosures.
- Provides protection where equipment may be hosed down or otherwise be very wet, or in specific applications where corrosion may be a problem.

## Standards

- UL 508 Type 4 and 12 as marked<sup>1</sup>
- CSA Type 4 and 12
- **Complies with**
  - NEMA Type 4, 12 and 13
  - JIC EGP-1-1967
  - IEC 60529, IP66

## Construction

- Formed from 0.10" Type 5052 H-32 aluminum.
- Smooth, continuously welded seams without knockouts, cutouts or holes.
- Door and body stiffeners are provided in the larger enclosures for extra rigidity.
- Welded brackets provide for enclosure mounting.
- Formed lip on door and enclosure excludes flowing liquids and contaminants.
- Aluminum continuous hinge on door may be removed by pulling the aluminum hinge pin.
- Door is secured with easily operated aluminum clamps.
- Provision for padlocking.
- Oil resistant gaskets are permanently secured.
- A removable 12 gauge inner panel is included.
- Collar studs are provided for mounting inner panels.
- A bonding stud is provided on the door and a grounding stud is provided in the enclosure.
- A literature pocket is provided for the inside of the door.

## Finish

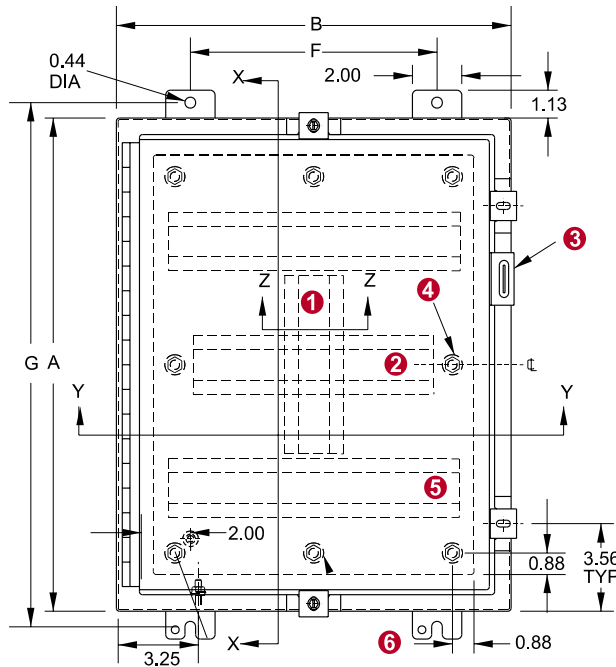
- Cover and enclosure are natural unfinished aluminum.
- Removable inner panel is finished in white powder coating.

## Accessories

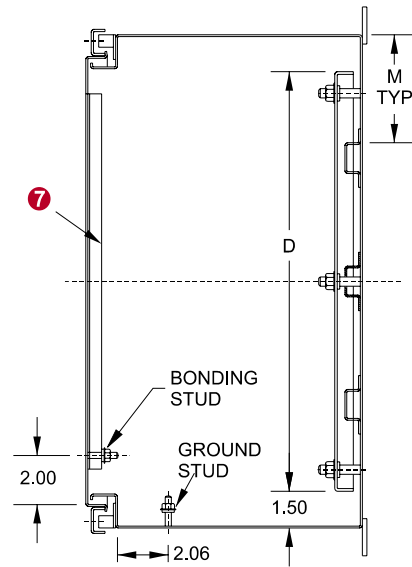
- Additional inner panels...see page **433**
- Breather kits...see page **423**
- Door stop kits...see page **447**
- Heaters...see page **418-420**
- Lock kit...see page **428**
- Terminal kit assemblies  
...see page **437**
- Thermostats...see page **421-422**
- Window kits...see page **444**

# 1418 Series Single Door Aluminum Enclosures - NEMA 4

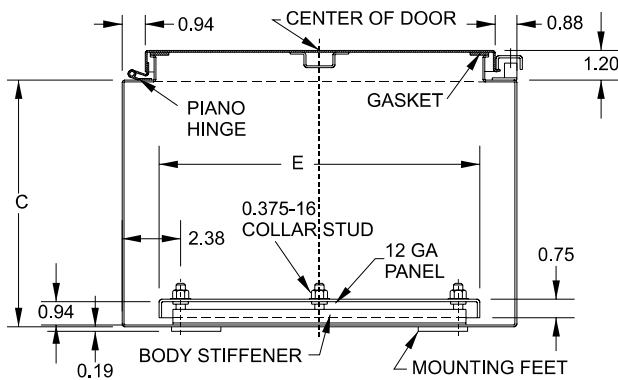
Continuous Hinge, Clamped Cover



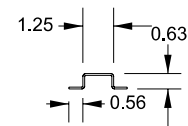
**Front View**



**Side View**



**Section Y-Y**



**Section Z-Z**

- ① Vertical stiffener required on KK and M only.
- ② Omit center body stiffener if A is less than 41".
- ③ Padlocking hasp and staple.
- ④ Omit 2 middle studs if A is less than 31".
- ⑤ Omit body stiffeners if A or B is less than 29 .
- ⑥ Omit 2 middle studs if B is less than 31".
- ⑦ Omit door stiffener if A or B is less than 31".

Part No.	Panel Size			Mtg. Centers		Ship Wt. lbs.
	A	B	C	D	E	
1418N4ALB6 <sup>1,2</sup>	16	12	6	13	9	14
1418N4ALC6 <sup>1,2</sup>	20	16	6	17	13	16
1418N4ALE6 <sup>1</sup>	24	20	6	21	17	21
1418N4ALJ8	24	24	8	21	21	26
1418N4ALK8	30	24	8	27	21	39
1418N4ALM8	36	30	8	33	27	42
1418N4ALS8	48	36	8	45	33	56
1418N4ALC10 <sup>1,2</sup>	20	16	10	17	13	19
1418N4ALE10 <sup>1</sup>	24	20	10	21	17	24
1418N4ALK12	30	24	12	27	21	36
1418N4ALM12	36	30	12	33	27	47
1418N4ALT12	60	36	12	57	33	83

When A=	M=
30	7.00
36	9.00
42	9.88
48	11.38
60	14.38

<sup>1</sup> Meets UL standards

<sup>2</sup> Flat panel

Technical references and DXF downloads available at [www.hamfmg.com](http://www.hamfmg.com)

All dimensions in inches unless specified otherwise

**Quality Enclosures. Service Excellence.**