

# Eclipse Series, 304 Stainless Steel - NEMA 4X

## Single Door Enclosures



Single Door with quarter turns

### Application

- Designed to enclose electrical and/or electronic equipment and protect against harsh, industrial environments for wallmount applications.
- Impressive styling features like hidden hinges and attractive latching systems make the Eclipse a suitable addition to any high-tech equipment installation.
- A wide range of sizes and practical accessories make this product line a complete package.
- For high temperature applications, a gasket retainer may be required, please refer to factory.

### Standards

- UL 508 Type 3R, 4, 4X and 12
- CSA Type 3R, 4, 4X and 12
- **Complies with**
  - NEMA 3R, 4, 4X, 12 and 13
  - IEC 60529, IP 66

### Construction

- Formed 304 stainless steel.
- Continuously welded seams ground smooth.
- Door stiffeners are provided where required for increased strength and rigidity - designed to also permit additional mounting options.
- Formed lip on enclosure to exclude flowing liquids and contaminants.
- Door latches feature the added safety of quarter turn slot requiring use of tool for opening.
- Doors may be easily removed for modifications and are interchangeable.
- Oil resistant gaskets are permanently secured and can easily be replaced in the field if necessary.
- Collar studs provided for mounting inner panel.
- Includes hardware kit with panel mounting nuts and sealing washers for wall mounting holes.
- Bonding stud provided on door and grounding stud installed in enclosure.
- Hinges are 304 stainless, 3 point latching handle (where applicable) is zinc diecast with black epoxy finish.
- Stainless steel hinge pins and quarter turns.

### Finish

- Cover and enclosure are natural stainless steel with a smooth brushed finish.

### Accessories

- Air conditioners...see page **387-406**
- Blowers...see page **407**
- Breather kits...see page **423**
- DIN rails...see page **80**
- DIN rail mounting kit...see page **79**
- Door stop kit...see page **447**
- Filter fans...see page **408-414**
- Heaters...see page **418-420**
- Handles...see page **81**
- Inner panel...see page **78**
- Quarter turn inserts and keys ...see page **80**
- Literature pocket...see page **451**
- Mounting foot kit...see page **81**
- Swing frame...see page **79**
- Swing panel...see page **78**
- Replacement hinge pins...see page **79**
- Replacement quarter turn assemblies...see page **80**
- Thermostats...see page **421-422**
- UL/CSA approved hardware kit ...see page **430**
- Padlock Adaptor (EPA)...see page **81**

**Panel  
Sold  
Separately**



Corrosion Resistant

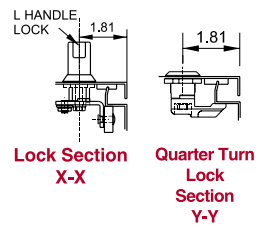
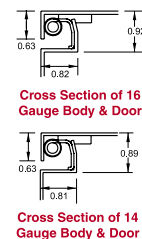
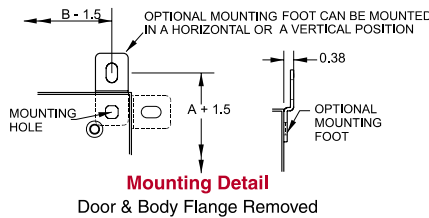
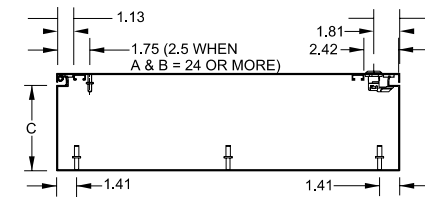
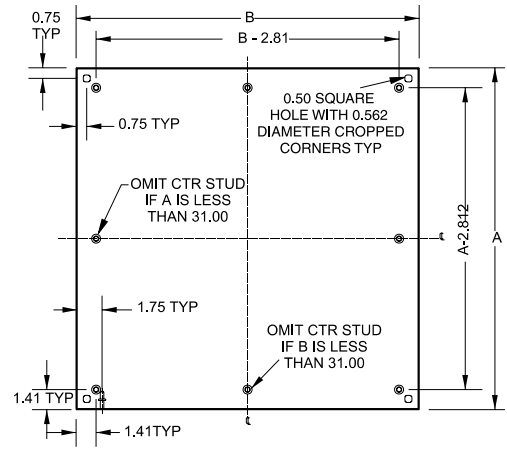
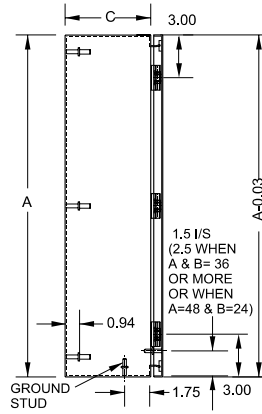
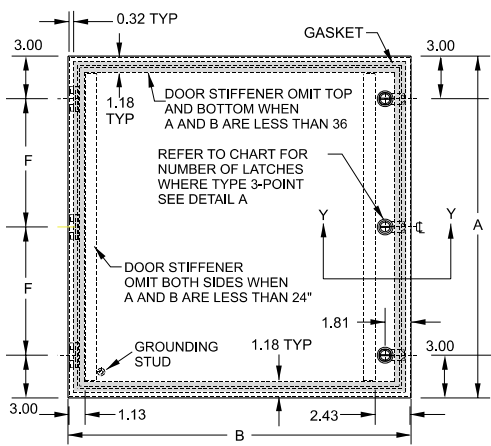
Wallmount Enclosures

Part No.	Overall Dimensions			Door/Body Gauge	Latches Qty	Type	Opt. Panel Part No.	Panel Size		No. of Hinges	Ship Wt. Lbs.	
	A	B	C					D	E			
EN4SD12126SS	12	12	6	16	1	Qtr Turn	EP1212	10.2	10.2	2	6	12
EN4SD16126SS	16	12	6	16	1	Qtr Turn	EP1612	14.2	10.2	2	10	16
EN4SD16166SS	16	16	6	16	1	Qtr Turn	EP1616	14.2	14.2	2	10	19
EN4SD16206SS	16	20	6	16	1	Qtr Turn	EP1620	14.2	18.2	2	10	22
EN4SD20166SS	20	16	6	16	1	Qtr Turn	EP2016	18.2	14.2	2	14	22
EN4SD20206SS	20	20	6	16	1	Qtr Turn	EP2020	18.2	18.2	2	14	26
EN4SD24206SS	24	20	6	16	1	Qtr Turn	EP2420	22.2	18.2	2	18	30
EN4SD16208SS	16	20	8	16	1	Qtr Turn	EP1620	14.2	18.2	2	10	25
EN4SD20168SS	20	16	8	16	1	Qtr Turn	EP2016	18.2	14.2	2	14	25

Technical references and DXF downloads available at [www.hamfmg.com](http://www.hamfmg.com)

All dimensions in inches unless specified otherwise

# Eclipse Series, 304 Stainless Steel - NEMA 4X Single Door Enclosures



Part No.	Overall Dimensions			Door/Body Gauge	Latches Qty	Type	Opt. Panel Part No.	Panel Size		No. of Hinges	Ship Wt. Lbs.	
	A	B	C					D	E			
EN4SD20208SS	20	20	8	16	1	Qtr Turn	EP2020	18.2	18.2	2	14	28
EN4SD20248SS	20	24	8	16	1	Qtr Turn	EP2024	18.2	22.2	2	14	32
EN4SD24168SS	24	16	8	16	1	Qtr Turn	EP2416	22.2	14.2	2	18	26
EN4SD24208SS	24	20	8	16	1	Qtr Turn	EP2420	22.2	18.2	2	18	32
EN4SD24248SS	24	24	8	14	2	Qtr Turn	EP2424	22.2	22.2	2	18	40
EN4SD24308SS	24	30	8	14	2	Qtr Turn	EP2430	22.2	28.2	2	18	48
EN4SD30208SS	30	20	8	14	2	Qtr Turn	EP3020	28.2	18.2	3	12	42
EN4SD30248SS	30	24	8	14	2	Qtr Turn	EP3024	28.2	22.2	3	12	46
EN4SD30308SS	30	30	8	14	2	Qtr Turn	EP3030	28.2	28.2	3	12	67
EN4SD36248SS	36	24	8	14	2	Qtr Turn	EP3624	34.2	22.2	3	15	55
EN4SD36308SS	36	30	8	14	2	Qtr Turn	EP3630	34.2	28.2	3	15	77
EN4SD42368SS	42	36	8	14	1	3-point	EP4236	40.2	34.2	4	12	106
EN4SD48368SS	48	36	8	14	1	3-point	EP4836	46.2	34.2	4	14	124
EN4SD201610SS	20	16	10	16	1	Qtr Turn	EP2016	18.2	14.2	2	14	28
EN4SD242010SS	24	20	10	16	1	Qtr Turn	EP2420	22.2	18.2	2	18	38
EN4SD362410SS	36	24	10	14	2	Qtr Turn	EP3624	34.2	22.2	3	15	62
EN4SD363010SS	36	30	10	14	2	Qtr Turn	EP3630	34.2	28.2	3	15	83
EN4SD423010SS	42	30	10	14	1	3-point	EP4230	40.2	28.2	4	12	110
EN4SD242412SS	24	24	12	14	2	Qtr Turn	EP2424	22.2	22.2	2	18	47
EN4SD302412SS	30	24	12	14	2	Qtr Turn	EP3024	28.2	22.2	3	12	57
EN4SD363012SS	36	30	12	14	2	Qtr Turn	EP3630	34.2	28.2	3	15	95
EN4SD363612SS	36	36	12	14	2	Qtr Turn	EP3636	34.2	34.2	3	15	104
EN4SD423612SS	42	36	12	14	1	3-point	EP4236	40.2	34.2	4	12	121
EN4SD483612SS	48	36	12	14	1	3-point	EP4836	46.2	34.2	4	14	148
EN4SD603612SS	60	36	12	14	1	3-point	EP6036	58.2	34.2	4	18	162
EN4SD302416SS	30	24	16	14	2	Qtr Turn	EP3024	28.2	22.2	3	12	60
EN4SD363016SS	36	30	16	14	2	Qtr Turn	EP3630	34.2	28.2	3	15	89
EN4SD483616SS	48	36	16	14	1	3-point	EP4836	46.2	34.2	4	14	135

Technical references and DXF downloads available at [www.hamfmfg.com](http://www.hamfmfg.com)

All dimensions in inches unless specified otherwise

**Quality Enclosures. Service Excellence.**