

# Polyester Modular Enclosures - NEMA 4X

## PB Series - Clear Cover



Panel  
Sold  
Separately



Corrosion Resistant  
Junction Boxes

### Application

- Designed for use as insulated instrument enclosures, electric, control housings, electrical junction boxes or terminal wiring enclosures.
- Transparent cover provides visibility of inner components without exposure to the environment.
- Provides outstanding insulation and protection where equipment may be hosed down or be very wet.
- Ideal in applications with high temperatures or highly corrosive environments.
- High UV resistance is ideal for outdoor installations.

### Standards

- UL/cUL 508 Type 1, 2, 3, 4, 4X, 12 & 13
- **Complies with**
  - NEMA 1, 2, 3, 3R, 3S, 4, 4X, 12, 13
  - IEC 60529, IP66

### Construction

- Base is constructed of hot molded fiberglass reinforced polyester and has a clear polycarbonate lid.
- Self-extinguishing materials.
- Sealable slotted screws are provided to close the enclosure.
- M6 screws are provided for attaching inner panels or other equipment.
- Fully gasketed lids.
- Operating temperatures between -30°C and 120°C (-22°F to 248°F).
- Dielectric rigidity > 5kV insulating resistance > 5 MW.

### Finish

- Fiberglass polyester base is finished in RAL 7032 beige.
- Optional inner panels are available in white powder coated finished steel or unfinished aluminum.

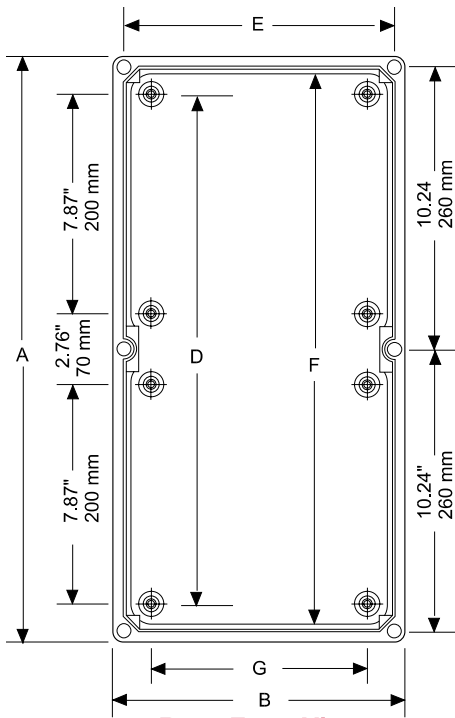
### Accessories

- External hinges...see page 102
- Mounting feet...see page 103
- Painted steel inner panels...see page 102
- PB replacement screws...see page 103
- Unfinished aluminum inner panels...see page 102

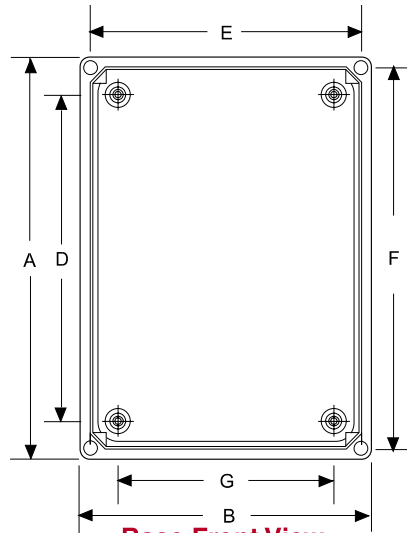
# Polyester Modular Enclosures - NEMA 4X

## PB Series - Clear Cover

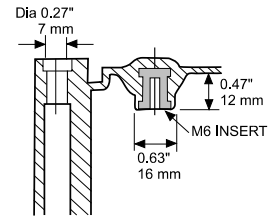
**Corrosion Resistant Junction Boxes**



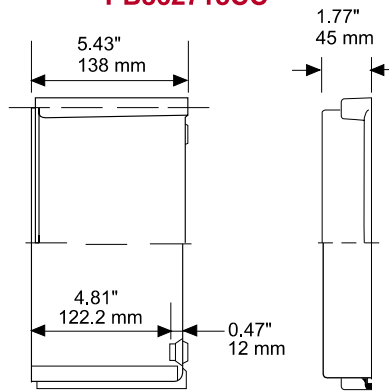
**Base Front View**  
**PB542718CC**  
**PB543618CC**



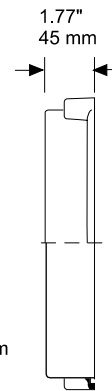
**Base Front View**  
**PB271818CC,**  
**PB272718CC,**  
**PB362718CC**



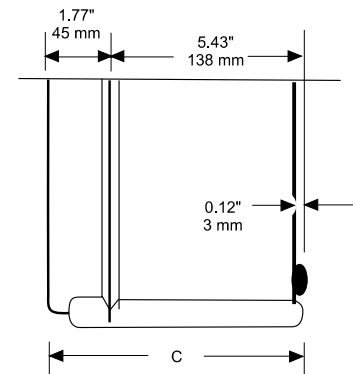
**Cross Section of**  
**Base Inside Corner**  
**with M6 Insert**



**Base Side**  
**View**



**Lid Side**  
**View**



**Assembled**  
**Side View**

Clear Lid Part No.	Overall Dimensions								Opt. Steel Inner Panel <sup>1</sup>	Inner Panel Dimensions	Ship Wt. lbs
	A	B	C	D	E	F	G				
<b>PB271818CC</b>	inch mm	10.6 270	7.1 180	7.1 180	7.9 200	6.3 159	9.8 249	4.3 110	<b>PBP2718</b>	9.06 x 5.51 230 x 140	3
<b>PB272718CC</b>	inch mm	10.6 270	10.6 270	7.1 180	7.9 200	9.8 249	9.8 249	7.9 200	<b>PBP2727</b>	9.06 x 9.06 230 x 230	4
<b>PB362718CC</b>	inch mm	14.2 360	10.6 270	7.1 180	11.4 290	9.8 249	13.3 339	7.9 200	<b>PBP3627</b>	12.60 x 9.06 320 x 230	4
<b>PB542718CC</b>	inch mm	21.3 540	10.6 270	7.1 180	18.5 470	9.8 249	20.4 519	7.9 200	<b>PBP5427</b>	19.69 x 9.06 500 x 230	6
<b>PB543618CC</b>	inch mm	21.3 540	14.2 360	7.1 180	18.5 470	13.3 339	20.4 519	11.4 290	<b>PBP5436</b>	19.69 x 12.60 500 x 320	10

<sup>1</sup> For aluminum panel...see page 102.

Inches are for reference only. Use metric for precise measurements.

Technical references and DXF downloads available at [www.hamfmfg.com](http://www.hamfmfg.com)

All dimensions in inches unless specified otherwise

**Quality Enclosures. Service Excellence.**