

Polyester Modular Enclosures - NEMA 4X

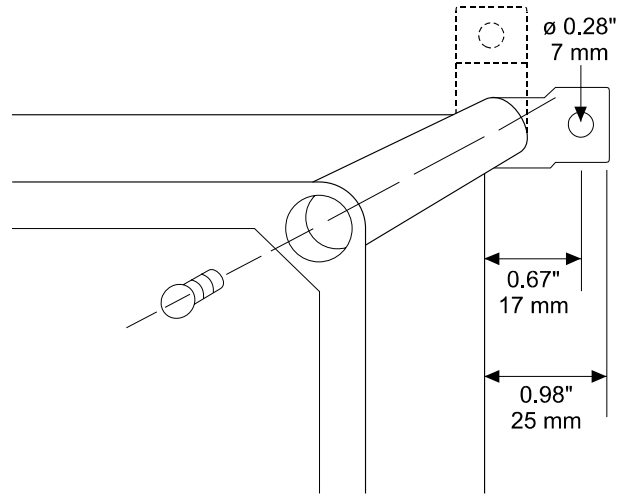
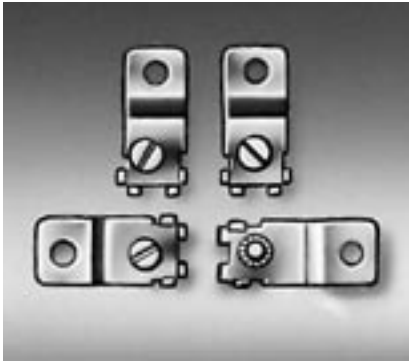
PB Series - Accessories



PB Series Mounting Feet

- Constructed of stainless steel.
- Fits all sizes of PB series enclosures.
- Packaged in quantities of four.
- Can be mounted horizontally or vertically.
- Easily installed in the field.

Part No. **PBMF**



PB Replacement Screws

- Fit all PB series enclosure sizes.
- Replacement screws in case the original screws are lost or broken.
- Packaged in quantities of eight.

Part No. **PBSC8**

Corrosion Resistant Junction Boxes