

Polyester Modular Enclosures - NEMA 4X

R130 Series Enclosures


Corrosion Resistant
Junction Boxes

Application

- Designed for use as instrument enclosures, electrical junction boxes or terminal wiring enclosures.
- Provide outstanding protection against dust, oil and pressurized water.
- Impervious to atmospheric and marine corrosion.

Standards

- **Complies with**
 - NEMA 1, 2, 3, 3R, 4, 4X, 5, 12, 13
 - IEC 60529, IP66
 - VO Flammability Rating

Construction

- Two piece molded fiberglass reinforced polyester construction.
- Captive polyfibre cover screws are provided with a standard slot head.
- Cover screws fasten into pre-threaded holes.
- The threaded cover screw holes also provide single channel access to rear mounting positions.
- Recessed neoprene gasket with tongue and groove construction is oil and petroleum resistant.
- Threaded stainless steel inserts provide for internal mounting.
- Spring loaded stainless steel hinge pins are standard, allowing for quick lid removal.

Finish

- Light beige RAL 7032

Accessories

- External mounting feet...see page **105**
- Inner panels...see page **105**
- Cross rails...see page **105**
- Bonded acrylic glass windows are available on special request.

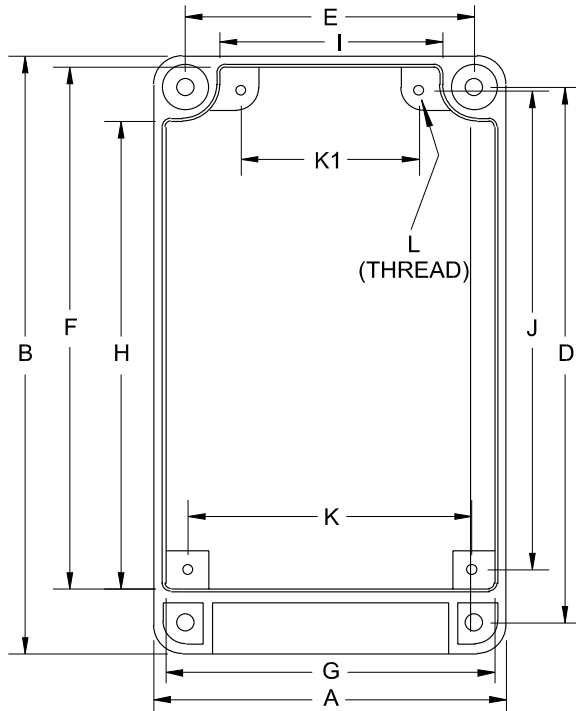
Part No.	Series	Units	Width			Length			Height																		
			A	B	C	D	E	F	G	H	I	J	K	K1	L	M	N	P									
R130-120-000	PD-120	inch mm	4.72 120	5.51 140	3.94 100	4.65 118	3.86 98	4.33 110	4.25 108	3.62 92	2.81 71.5	3.82 97	3.74 95	2.28 58	M6	2.76 70	3.62 92	0.28 7									
R130-122-000	PD-122	inch mm	4.72 120	7.87 200	3.94 100	7.01 178	3.86 98	6.69 170	4.25 108	5.98 152	2.81 71.5	6.18 157	3.74 95	2.28 58	M6	2.76 70	3.62 92	0.28 7									
R130-124-000	PD-124	inch mm	4.72 120	10.24 260	3.94 100	9.37 238	3.86 98	9.06 230	4.25 108	8.35 212	2.81 71.5	8.54 217	3.74 95	2.28 58	M6	2.76 70	3.62 92	0.28 7									
R130-160-000	PD-160	inch mm	6.30 160	7.09 180	3.94 100	6.22 158	5.43 138	5.91 150	5.83 148	5.20 132	4.39 111.5	5.39 137	5.31 135	3.86 98	M6	2.76 70	3.62 92	0.28 7									
R130-162-000	PD-162	inch mm	6.30 160	10.24 260	3.94 100	9.37 238	5.43 138	9.06 230	5.83 148	8.35 212	4.39 111.5	8.54 217	5.31 135	3.86 98	M6	2.76 70	3.62 92	0.28 7									
R130-164-000	PD-164	inch mm	6.30 160	13.39 340	3.94 100	12.52 318	5.43 138	12.20 310	5.83 148	11.50 292	4.39 111.5	11.69 297	5.31 135	3.86 98	M6	2.76 70	3.62 92	0.28 7									
R130-200-000	PD-200	inch mm	7.87 200	8.66 220	4.72 120	7.80 198	7.01 178	7.46 189.5	7.38 187.5	6.73 171	5.94 151	6.97 177	6.89 175	5.43 138	M6	3.54 90	4.41 112	0.28 7									
R130-202-000	PD-202	inch mm	7.87 200	12.60 320	4.72 120	11.73 298	7.01 178	11.40 289.5	7.38 187.5	10.67 271	5.94 151	10.91 277	6.89 175	5.43 138	M6	3.54 90	4.41 112	0.28 7									

 Technical references and DXF downloads available at www.hamfmg.com

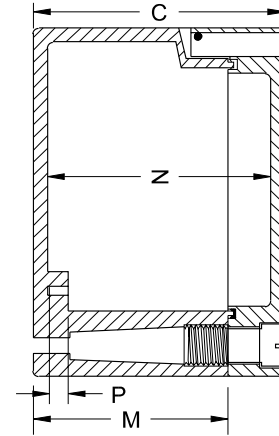
All dimensions in inches unless specified otherwise

Polyester Modular Enclosures - NEMA 4X

R130 Series Enclosures



Front View



Side View

Accessories

Part No.	External Feet (Set of 4) Stainless Steel	Inner Panel (1.5 mm) Steel, Zinc Plated	Cross Rail (Pair) (Low Bottom Part)
R130-120-000	R501-000-001	R530-120-000	R531-120-000
R130-122-000	R501-000-001	R530-122-000	R531-120-000
R130-124-000	R501-000-001	R530-124-000	R531-120-000
R130-160-000	R501-000-001	R530-160-000	R531-160-000
R130-162-000	R501-000-001	R530-162-000	R531-160-000
R130-164-000	R501-000-001	R530-164-000	R531-160-000
R130-200-000	R501-000-001	R530-200-000	R531-200-000
R130-202-000	R501-000-001	R530-202-000	R531-200-000

Corrosion Resistant Junction Boxes