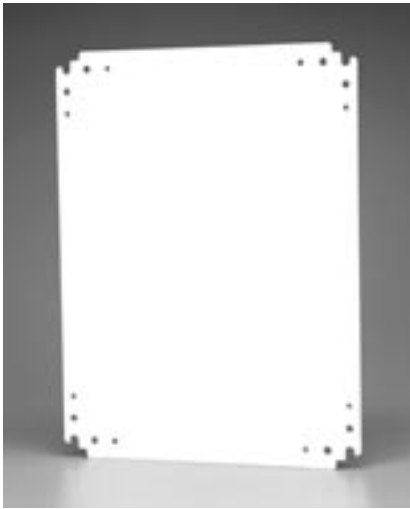


Polyester Modular Enclosures - NEMA 4X

PW Series - Accessories

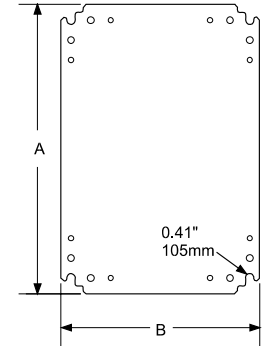
Corrosion Resistant

Wallmount Enclosures



PW Series Inner Panel

- Available in steel or unfinished aluminum.
- 12 gauge steel panels are finished in white baked powder coating.
- Aluminum panels are 0.125" (3.2mm) unfinished.
- Hardware to mount inner panels is included with PW enclosures.

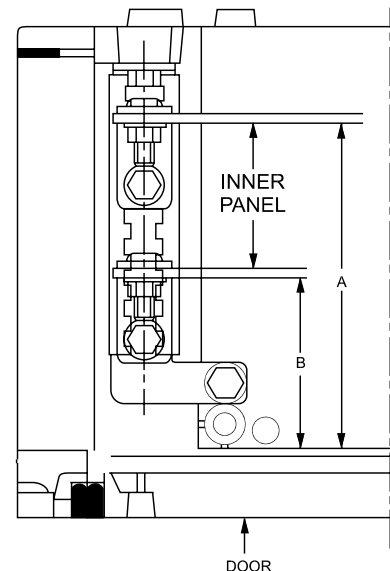


Steel Part No.	Aluminum Part No.	Fits Enclosure		A	B
PWP4333	PWPA4333	PW433320	inch	14.37	9.84
			mm	365	250
PWP5343	PWPA5343	PW534320	inch	18.31	13.78
			mm	465	350
PWP6544	PWPA6544	PW654425	inch	22.24	13.78
			mm	565	350
PWP7554	PWPA7554	PW755430	inch	26.18	17.72
			mm	665	450
PWP8564	PWPA8564	PW856430	inch	30.12	21.65
			mm	765	550



PW Series Adjustable Depth Supports

- Supports designed to fit 200 mm (7.88"), 250 mm (9.80"), 300 mm (11.80") and 350 mm (13.8") enclosures.
- Self positioning slots allowing for adjustment every 12.5 mm (0.50").
- Made of double chromed zinc coated steel.
- Attaches easily to the enclosure.



Top View

Part No.	Fits Enclosures		Full Back A	Full Front B
PWDC200	PW534320	inch	6.4	3.9
	PW433320	mm	162	99
PWDC250	PW654425	inch	8.1	4.1
		mm	205	105
PWDC300	PW755430	inch	10.0	8.1
	PW856430	mm	255	205