

Polyester Modular Enclosures - NEMA 4X

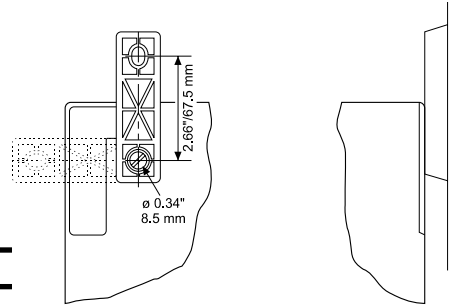
PW Series - Accessories



PW Series Mounting Feet

- Constructed of polyamide and fiberglass.
- Kit includes inserts and M8 screws to permit horizontal or vertical installation.
- Easily installed in the field.

Part No. **PWMF**



Rear View

Side View



PW Series Rear Blanking Cover

- Insulating rubber covers simply "snap" in covering the rear self-ventilating openings when additional protection is required.
- Easily installed in the field - no hardware required.
- Quantity of 4.

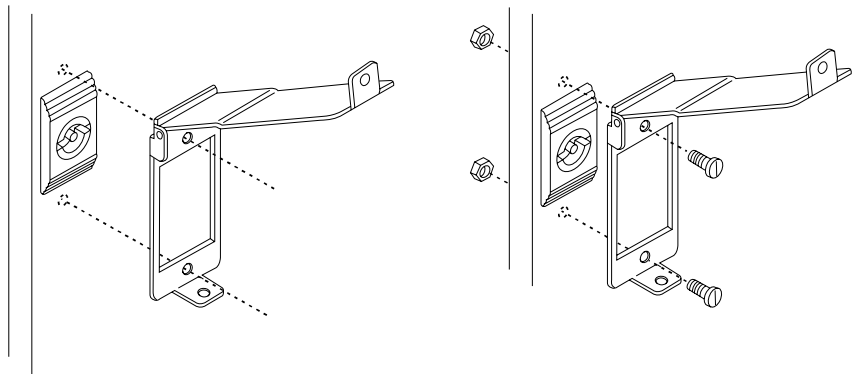
Part No.	Fits Enclosures
PWRBG20	PW433320
	PW534320
PWRBG2530	PW654425
	PW755430
	PW856430



PW Series Padlock Adaptor

- Permits installation of padlock over the standard "Double Bar" quarter turn.
- 1.5 mm thick stainless steel.
- Easy installed in the field.

Part No. **PWPA**



Padlocking Lock System Installation

Corrosion Resistant Wallmount Enclosures