

2UDCP Two Door Floormount Disconnect Enclosures - NEMA 12

ABB Controls, Allen Bradley, Cutler Hammer, General Electric, Siemens I-T-E Max-Flex™, Square D

Disconnect

Floormount Enclosures



Application

Designed to accept the following disconnect switches and circuit breakers:

- **ABB Controls** flange mounted variable depth operating mechanisms for disconnect switches and circuit breakers.
- **Allen Bradley** 1494F flange mounted disconnect switches and 1494D flange mounted operators for circuit breakers. Allen Bradley 1494V variable depth flange mounted disconnect switches and circuit breaker mechanisms.
- **C-H Westinghouse** Type C361 disconnect switches and operator mechanisms, and type C371 circuit breakers and circuit breaker operating mechanisms. Flex Shaft™ handle operators for circuit breakers.
- **General Electric** Type STDA flange handles and variable depth operating mechanisms for disconnect switches and circuit breakers. Also Spectra-Flex™ cable operators for circuit breakers.
- **Siemens I-T-E Max-Flex™** flange mounted variable depth operating handles for disconnect switches and circuit breakers.
- **Square D** disconnect switches and circuit breakers used with Class 9422 flange mounted variable depth operating mechanisms or cable mechanisms. These enclosures will not receive Class 9422 bracket mounted disconnect devices, Class 9422TG1, or TG2 devices.

Standards

- UL 508 Type 12
- CSA Type 12
- **Complies with**
 - NEMA Type 12
 - JIC EGP-1-1967 and EMP-1-1967
 - IEC 60529, IP54
- Appropriate components are required to maintain these standards.

Construction

- Formed from 10 gauge steel with smooth, continuously welded seams.
- Body stiffeners are included in the larger enclosures for extra rigidity.
- 15" floor stands are welded to the enclosure.
- Flange trough Collar (FTC) around door opening excludes liquids and contaminants.
- Heavy duty lifting eyes are anchored into reinforced top corners.
- Removable doors are secured with heavy duty lift-off hinges.
- Formed 10 gauge steel inner panels are provided on collar studs.
- Panel supports are provided.
- Center post is removable, providing easy panel installation.
- Heavy duty three point latching mechanism with heavy duty roller ends is provided for ease of door closing.
- Oil resistant gaskets are permanently secured.
- The left door is the master door.
- Master door handle complete with screw defeater and padlock hasp.
- Slave door handle complete with padlock hasp.
- A mechanical interlock activated by the master door prevents the auxiliary door from being opened first.

- The universal flange cutout provides mounting for disconnect operators by use of the appropriate operator adaptor kit.
- A provision for mounting fluorescent lighting is provided.
- A bonding stud is provided in the door and a grounding stud is provided in the enclosure for each door.
- A literature pocket is provided.

Note:

- Disconnect switches, circuit breakers and operators are not provided with the enclosure, and must be ordered separately from the manufacturer.

Finish

- Door and enclosure are phosphatized and finished in ANSI 61 gray recoatable powder coating on the outside.
- Enclosure interior is finished in white powder coating.
- Inner panel is finished in white powder coating.

Accessories

- Additional inner panels...see page [434](#)
- Air conditioners...see page [388-405](#)
- Blank adaptor plates...see page [188](#)
- Blowers...see page [407](#)
- Breather kits...see page [423](#)
- Doorstop kits...see page [447](#)
- Filter fans...see page [408-414](#)
- Floor stand kits...see page [448](#)
- Heaters...see page [418-420](#)
- Light kits...see page [447](#)
- Operator adaptor kits...see page [188](#)
- Thermostats...see page [421-422](#)
- Window kits...see page [444](#)

Technical references and DXF downloads available at www.hamfmg.com

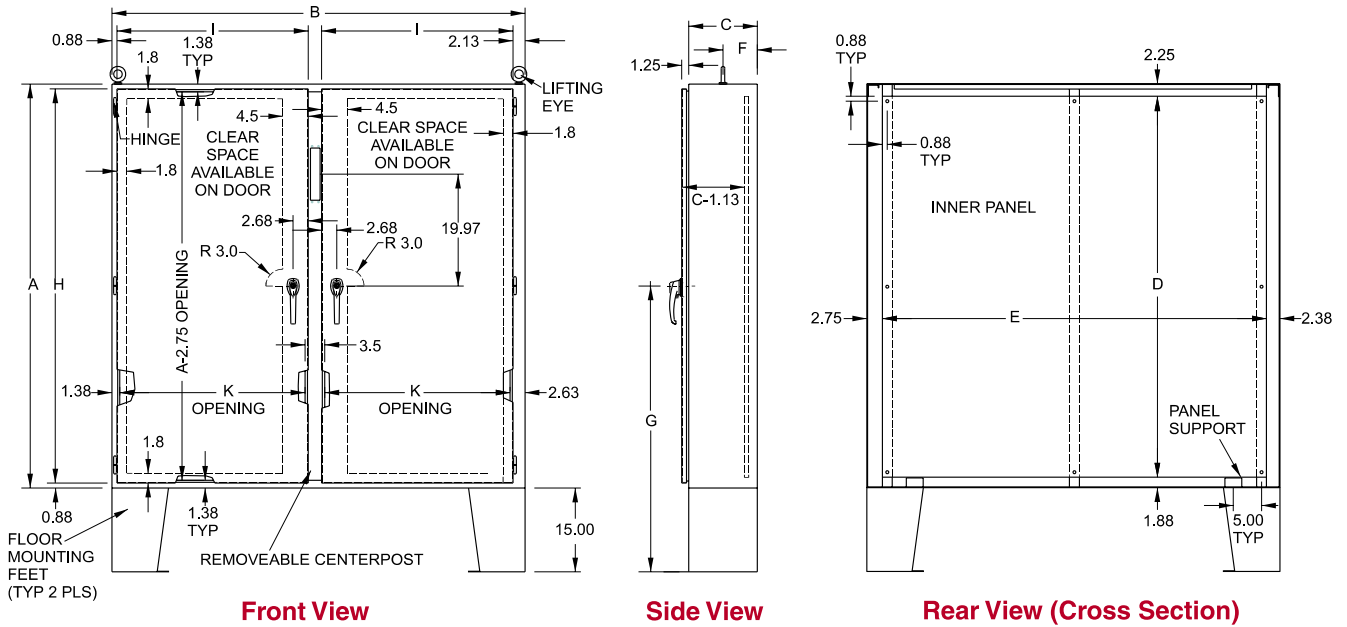
All dimensions in inches unless specified otherwise

2UDCP Two Door Floormount Disconnect Enclosures - NEMA 12

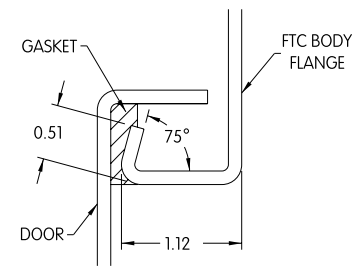
ABB Controls, Allen Bradley, Cutler Hammer, General Electric, Siemens I-T-E Max-Flex™, Square D

Disconnect

Floormount Enclosures



Part No.	Panel Size										Ship Wt lbs.
	A	B	C	D	E	F	G	H	I	K	
2UDCP604912FFTC	60.13	48.88	12.13	56	44	6.06	45.06	59.13	22.5	20.81	547
2UDCP606112FFTC	60.13	60.88	12.13	56	56	6.06	45.06	59.13	28.5	26.81	576
2UDCP726112FFTC	72.13	60.88	12.13	68	56	6.06	51.06	71.13	28.5	26.81	796
2UDCP727312FFTC	72.13	72.88	12.13	68	68	6.06	51.06	71.13	34.5	32.81	929
2UDCP727318FFTC	72.13	72.88	18.13	68	68	9.06	51.06	71.13	34.5	32.81	1009



FTC Detail