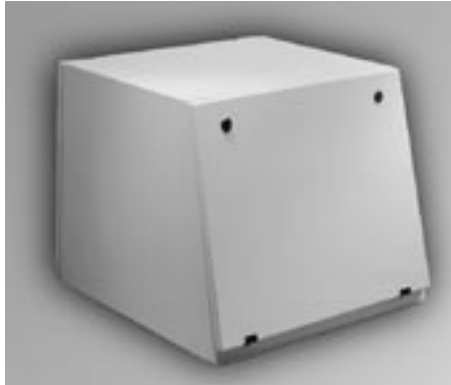


Series 2000 Modular Console System - NEMA 12, 4, 4X Turret Units

Operator Interface Enclosure



Standard Turret



Deep Turret



Application

- Ideal as a housing for video screens.
- Flexible design provides panel mount or rack mount capabilities for a variety of applications.
- Generally used in combination with other modular console components (ie. base, pedestal, and/or desk).
- Available in either Standard (supported by Base, Pedestal, or Standard Desk) or Deep (supported by Deep Desk only) format.
- Smooth lines and clean edges provide an attractive, contemporary appearance.

Standards

RAL 7032 Beige

- UL 508 Type 12
- CSA Type 12
- EIA RS-310-D
- **Complies with**
 - NEMA Type 12
 - IEC 60529, IP54

ANSI 61 Gray

- UL 508 Type 3R, 4, 12
- CSA Type 3R, 4, 12
- EIA RS-310-D
- **Complies with**
 - NEMA Type 3R, 4, 12
 - IEC 60529, IP66

Stainless Steel (Type 304)

- UL 508 Type 3R, 4, 4X and 12
- CSA Type 3R, 4, 4X and 12
- EIA RS-310-D
- **Complies with**
 - NEMA Type 3R, 4, 4X, 12
 - IEC 60529, IP66

Construction

- Formed 14 gauge steel bodies with 14 gauge steel doors.
- Also offered with formed 14 gauge 304 stainless steel bodies with 14 gauge 304 stainless steel doors.
- Smooth, continuously welded seams without knockouts or holes.
- Body stiffeners are provided where required for increased strength and rigidity.
- Offered in 4 widths 24", 36", 48" and 60".
- Features solid sides and top, solid door on front (opens down) and back (opens up), and open bottom.
- Front door features sliding rod mechanism, which allows a 102° opening when in the lowered position.
- Rear door features manual, 3 position adjustable door stop which provides convenient support while door in open position.
- Formed lip on enclosure excludes flowing liquids and contaminants.
- Slotted quarter turn oil-tight latches secure the door, with optional tamper resistant and locking latches available.
- Stainless steel models utilize stainless steel hardware.
- Oil resistant gaskets are permanently secured and mechanically retained.
- Features several internal stud locations for mounting of various accessories.
- A bonding screw is provided on the door and a grounding stud is provided in the enclosure.

Finish

- Available in RAL 7032 beige powder coating, ANSI 61 gray powder coating and natural stainless steel with a smooth, brushed finish.
- 24" Front Window Door available in same finishes.

Accessories

- Air conditioners...see page **389-405**
- Blowers...see page **406**
- Filter fans...see page **408-414**
- Fan trays...see page **416**
- Heaters...see page **418-420**
- Turret/Terminal Window Door...see page **265**
- Series 2000 Modular Console Accessories...see page **264-271**
- Rack Mount Accessories...see page **272-274**

Technical references and DXF downloads available at www.hammg.com

All dimensions in inches unless specified otherwise

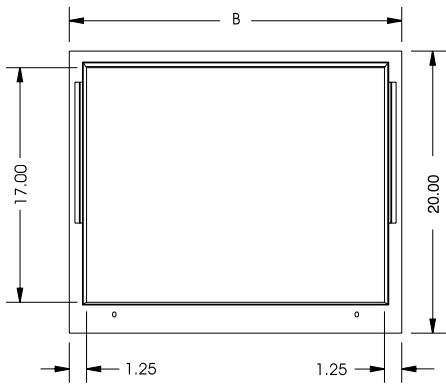
Modular Console System

Series 2000 Modular Console System - NEMA 12, 4, 4X Turret Units

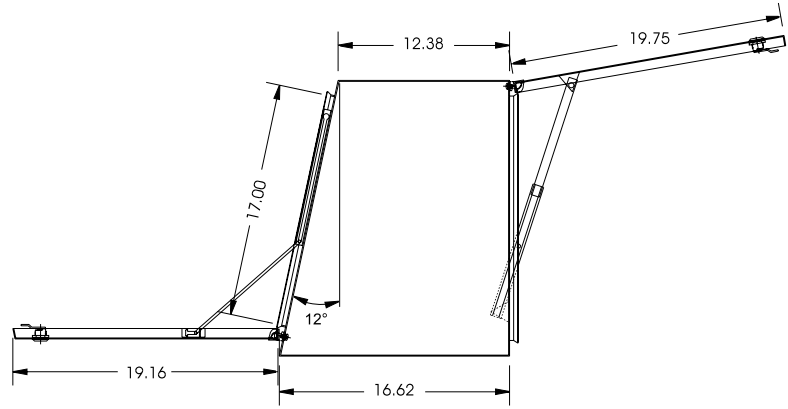
Operator Interface Enclosure

Modular Console System

Standard Turret

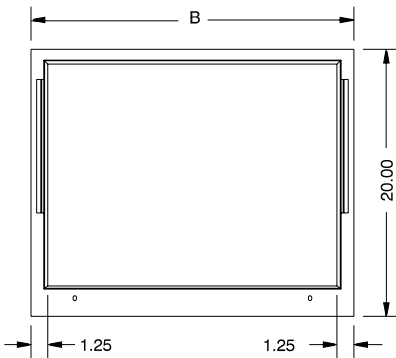


Front View

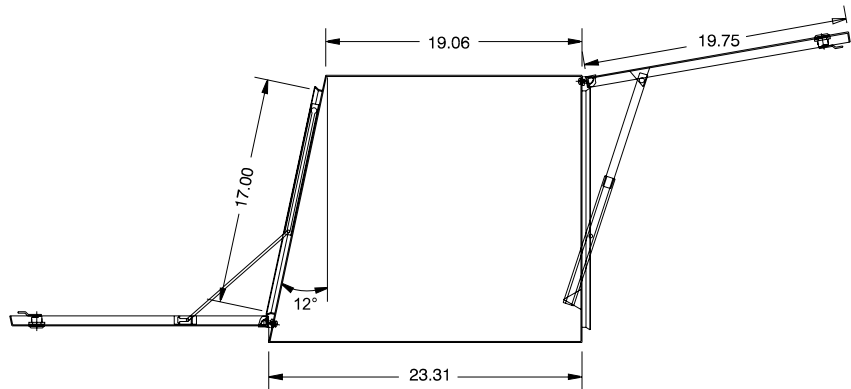


Side View

Deep Turret



Front View



Side View

Standard Turret

RAL 7032 Beige Part No.	ANSI 61 Gray Part No.	Stainless Steel Part No.	B
2CRT202436	2CPT202436	2CST202436	24
2CRT203636	2CPT203636	2CST203636	36
2CRT204836	2CPT204836	2CST204836	48
2CRT206036	2CPT206036	2CST206036	60

Deep Turret

RAL 7032 Beige Part No.	ANSI 61 Gray Part No.	Stainless Steel Part No.	B
2CRT202443	2CPT202443	2CST202443	24
2CRT203643	2CPT203643	2CST203643	36
2CRT204843	2CPT204843	2CST204843	48
2CRT206043	2CPT206043	2CST206043	60

Technical references and DXF downloads available at www.hamfmfg.com

All dimensions in inches unless specified otherwise

Quality Enclosures. Service Excellence.