

# Series 2000 Modular Console System - NEMA 12, 4, 4X

## External Components

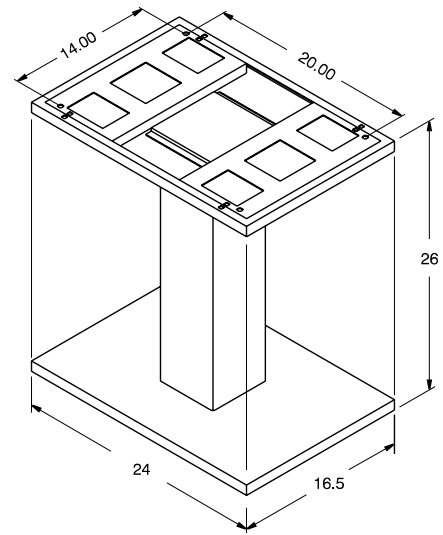
Operator Interface Enclosure



### Pedestal

- Maintains NEMA rating of system.
- Formed 14 gauge steel.
- Also offered with formed 14 gauge stainless steel.
- Stiffeners added for solid stability.
- Open top and bottom provides an unobstructed wireway for pull through cabling.
- Can be mounted directly on floor or on a plinth.
- Available in beige, gray and stainless steel.

Part No.	Finish
2CRS	RAL 7032 Beige
2CPS	ANSI 61 Gray
2CSS	Stainless Steel

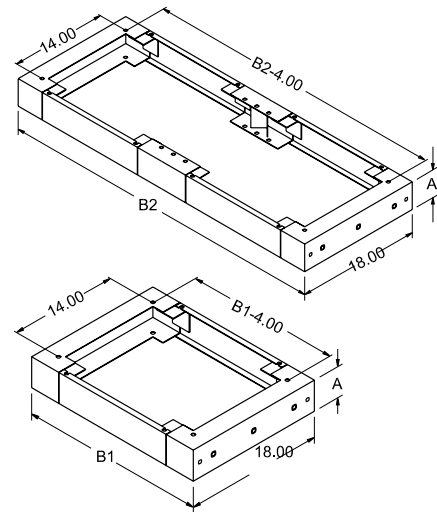


Modular Console System



### Modular Plinth

- Features removable front and rear panels for easy access to bottom for cabling or transport by forklift.
- For cable access, features 3 double knockouts on each end. (**NOTE:** not on stainless steel version)
- Available in 4" and 8" heights.
- Available in 24", 36", 48" and 60" widths.
- Maintains NEMA rating of system.
- Formed 14 gauge steel.
- Also offered with formed 14 gauge stainless steel.
- Available in beige, gray and stainless steel.



RAL 7032 Beige Part No.	ANSI 61 Gray Part No.	Stainless Steel Part No.	A	B1	B2
2CRP42418	2CPP42418	2CSP42418	4	24	—
2CRP43618	2CPP43618	2CSP43618	4	36	—
2CRP44818	2CPP44818	2CSP44818	4	—	48
2CRP46018	2CPP46018	2CSP46018	4	—	60
2CRP82418	2CPP82418	2CSP82418	8	24	—
2CRP83618	2CPP83618	2CSP83618	8	36	—
2CRP84818	2CPP84818	2CSP84818	8	—	48
2CRP86018	2CPP86018	2CSP86018	8	—	60