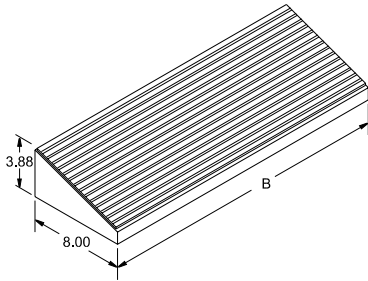


Series 2000 Modular Console System - NEMA 12, 4, 4X

External Components

Operator Interface Enclosure



Footrest

- Generally used in combination with plinth.
- Provides a raised foot support to relieve back stress.
- Gives the installation a "finished" appearance.
- Available in 24", 36", 48" and 60" widths.
- Maintains NEMA rating of system.
- Formed 14 gauge steel.
- Also offered with formed 14 gauge stainless steel.
- Rubber tread for added traction on footrest surface.
- Available in beige, gray and natural stainless steel.

RAL 7032 Beige Part No.	ANSI 61 Gray Part No.	Stainless Steel Part No.	B
2CRF24	2CPF24	2CSF24	24
2CRF36	2CPF36	2CSF36	36
2CRF48	2CPF48	2CSF48	48
2CRF60	2CPF60	2CSF60	60

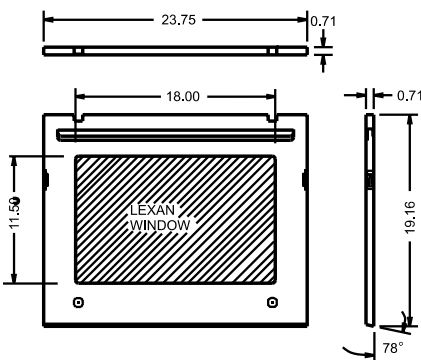


Data Terminal Extension Ring

- Formed 14 gauge steel.
- Adds 6" to Data Terminal Depth.
- Maintains NEMA rating.
- Utilizes door from Data Terminal.
- Fastens flush to back of Data Terminal.
- Available in beige, gray and natural stainless steel.

Part No.	Finish
2CRD24X	RAL 7032 Beige
2CPD24X	ANSI 61 Gray
2CSD24X	Stainless Steel

Modular Console System



Turret/Terminal Window Door

- Maintains the NEMA rating of the enclosure.
- Constructed of 14 gauge steel and lexan window.
- Easy field installation.
- Fits Standard Turret, Deep Turret, and Data Terminal.
- Offered in 24" width only.
- Available in beige, gray and stainless steel.

Part No.	Finish
2CRTW24	RAL 7032 Beige
2CPTW24	ANSI 61 Gray
2CSTW24	Stainless Steel