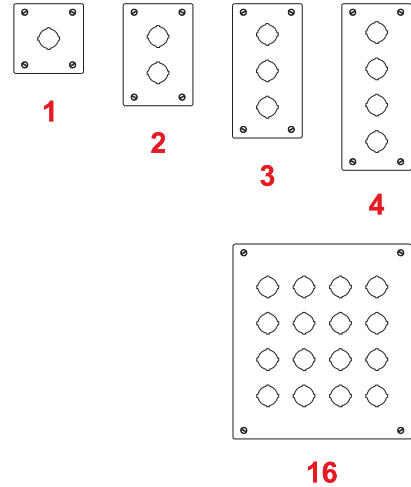


Pushbutton Enclosures - NEMA 4, 4X

1437 Stainless Steel Series

Operator Interface Enclosure



Pushbutton Enclosures

Application

- Designed to accept standard heavy duty oil tight pushbuttons, switches and pilot lights.
- Provides protection from dirt, dust, oil and water.

Standards

- UL 508 Type 4 and 4X
- CSA Enclosure 4 and 4X
- **Complies with**
 - NEMA Type 4 and 4X
 - IEC 60529, IP66
 - JIC STD EGP-1-1967
- Appropriate components are required to maintain these standards.

Construction

- Formed from 14 gauge steel except A which is 16 gauge.
- Smooth continuously welded seams.
- Welded brackets provide for enclosure mounting.
- Captive cover screws fasten into threaded, sealed wells.
- Larger enclosures provide internally hinged removable covers, designed to hold the cover open during wiring (see table).
- Oil resistant gasket and adhesive.
- A bonding stud is provided on the door and a grounding stud is provided on the enclosure.

Finish

- Natural stainless steel with a smooth brushed finish.

Accessories

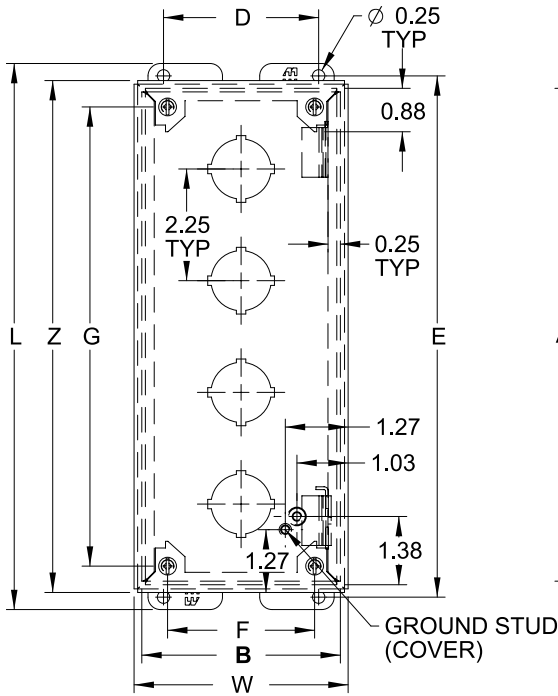
- Hole plugs...see page 435
- Pedestals...see page 454

Pushbutton Enclosures - NEMA 4, 4X

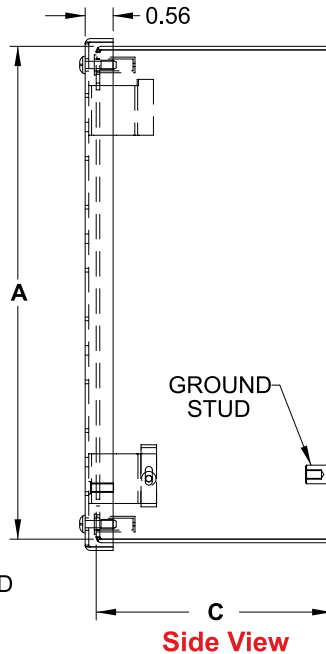
1437 Stainless Steel Series

Operator Interface Enclosure

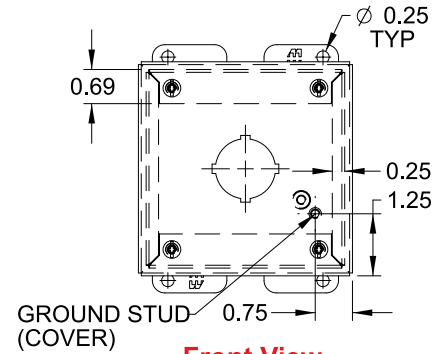
Pushbutton Enclosures



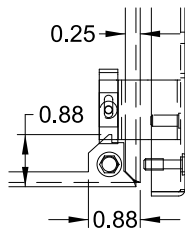
Front View
Body Type B through S
(Hinged)



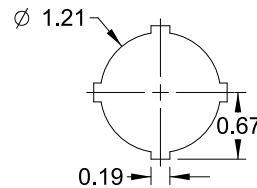
Side View



Front View
Body Type A
(Not Hinged)



Hinge Detail
Retractable pin allows door to be mounted on left or right side



22.5mm Detail
(1437M Series)

Part No.		No.	Overall Dimensions										Ship Wt.
304 SS 30.5mm	316 SS 30.5mm	Of Holes	A	B	C	D	E	F	G	L	W	Z	lbs.
1437SSA ¹	1437S16A ¹	1	4	4	4.75	3.13	4.5	2.96	3.25	5	4.31	4.31	3
1437SSB	1437S16B	2	6	4	4.75	3.13	6.5	2.96	5.25	7	4.31	6.31	4
1437SSC	1437S16C	3	8	4	4.75	3.13	8.5	2.96	7.25	9	4.31	8.31	5
1437SSD	1437S16D	4	10	4	4.75	3.13	10.5	2.96	9.25	11	4.31	10.31	5
1437SSS	1437S16S	16	11.75	10.75	4.75	9.88	12.25	9.71	11	12.75	11.06	12.06	10

¹ not hinged