

## Polyester Modular Enclosures - NEMA 4, 4X

PJ Series - Solid Cover & Inline Pushbutton Enclosures, 22 mm and 30.5 mm

Operator Interface Enclosure



Pushbutton Enclosures

### Application

- Designed for use as instrument enclosures, electric, hydraulic or pneumatic control housings, electrical junction boxes or terminal wiring enclosures.
- Provides outstanding insulation and protection where equipment may be hosed down or be very wet.
- Ideal in applications with high temperatures or highly corrosive environments.

### Standards

- UL 508 Type 1, 2, 3, 4, 4X, 12 and 13
- CSA Type 1, 2, 3, 4, 4X, 12 and 13
- **Complies with**
  - NEMA Type 1, 2, 3, 4, 4X, 12 and 13
  - IEC 60529, IP66

### Construction

- Molded fiberglass polyester enclosure with matching cover is easily punched, cut, or drilled.
- Standard JIC sizes under 18" x 16".
- Threaded brass inserts are provided for optional inner panel.
- Cover is fastened with captive stainless steel screws in threaded brass inserts.
- Captive oil resistant gasket provides a positive seal.
- Mounting through rear holes on enclosure. Use #8 x 1 inch screw (not included).
- Enhanced UV inhibitors protect against outdoor weathering.
- Solid cover series available with and without mounting feet.
- Operating temperatures between 130°C and -40°C (266°F to -40°F).
- Impact index of 6.78J (5 ft/lb).
- For corrosion resistance information, please refer to table in Technical Information.

### Finish

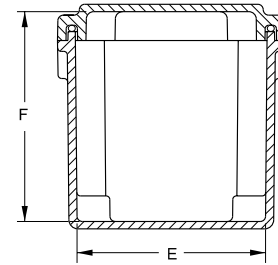
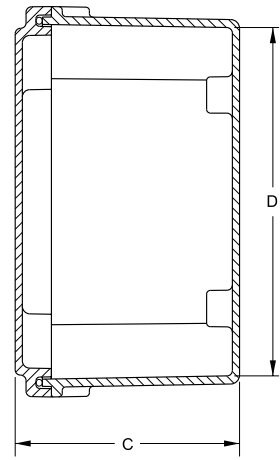
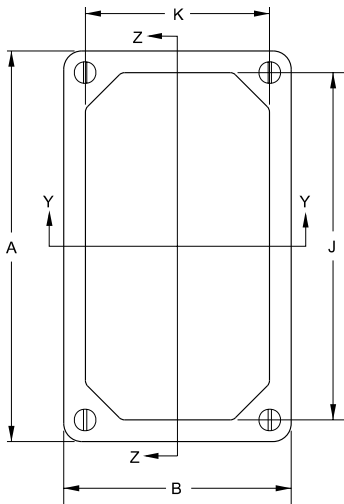
- Fiberglass polyester material has a gray finish.
- Optional steel inner panel is available in white powder coated finish.

# Polyester Modular Enclosures - NEMA 4, 4X

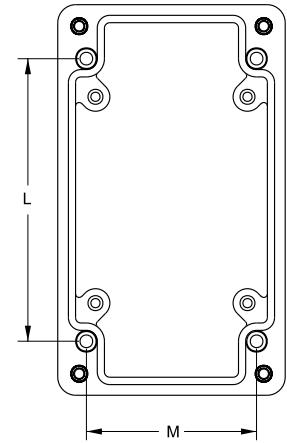
## PJ Series - Solid Cover & Inline Pushbutton Enclosures, 22 mm and 30.5 mm

Operator Interface Enclosure

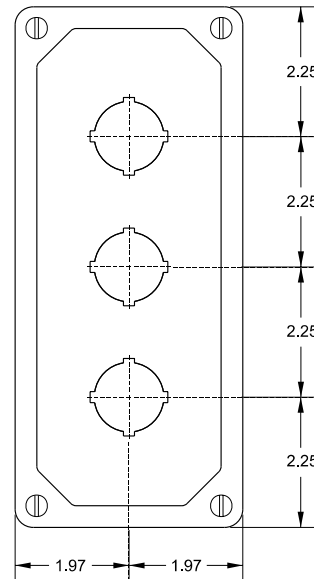
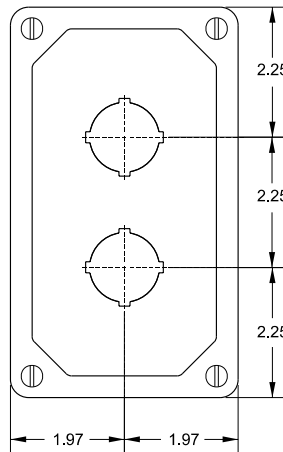
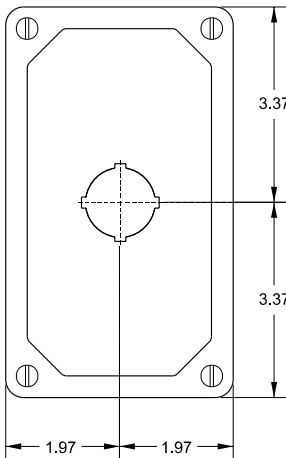
Pushbutton Enclosures



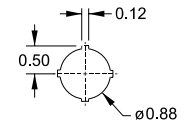
**Section Y-Y**



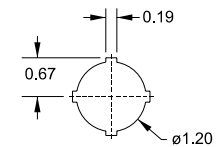
**Top View with Cover Removed**



**Hole Placement**



**22.5mm Hole**



**30.5mm Hole**

**Pushbutton Series**

Part No.	Overall Dimensions			Inside Dimensions							# of Holes	Hole Size
	A	B	C	D	E	F	J	K	L	M		
PJ744P1	6.74	3.93	3.88	6.01	3.26	3.63	5.99	3.18	4.88	2.94	1	30.5
PJ744P221	6.74	3.93	3.88	6.01	3.26	3.63	5.99	3.18	4.88	2.94	1	22.5
PJ744P2	6.74	3.93	3.88	6.01	3.26	3.63	5.99	3.18	4.88	2.94	2	30.5
PJ744P222	6.74	3.93	3.88	6.01	3.26	3.63	5.99	3.18	4.88	2.94	2	22.5
PJ944P3	8.99	3.93	3.88	8.26	3.26	3.63	8.24	3.18	7.13	2.94	3	30.5
PJ944P223	8.99	3.93	3.88	8.26	3.26	3.63	8.24	3.18	7.13	2.94	3	22.5

**Solid Cover Series**

Part No.	Mounting Feet	Overall Dimensions			Inside Dimensions							Optional Steel Inner Panel	Inner Panel Dimensions
		A	B	C	D	E	F	J	K	L	M		
PJ744	Yes	6.74	3.93	3.88	6.01	3.26	3.63	5.99	3.18	4.88	2.94	PJP74	4 x 3.13
PJ744FS	No	6.74	3.93	3.88	6.01	3.26	3.63	5.99	3.18	4.88	2.94	PJP74	4 x 3.13
PJ944	Yes	8.99	3.93	3.88	8.26	3.26	3.63	8.24	3.18	7.13	2.94	PJP94	6.25 x 3.13
PJ944FS	No	8.99	3.93	3.88	8.26	3.26	3.63	8.24	3.18	7.13	2.94	PJP94	6.25 x 3.13