

Hinged Cover Lift-Off Enclosures without Knockouts

NEMA 3R

Commercial Enclosures


**Panel
Sold
Separately**



Application

- Designed for use as a wiring/junction box.
- Provides protection against rain, sleet, snow and dripping water.

Standards

- UL-50 Type 3R
- CSA Type 3R
- **Complies with**
 - NEMA Type 3R
 - IEC 60529, IP24

Construction

- Formed and spot welded from 16 or 14 gauge galvanized steel.
- Extended height door and seam-free sides, front and back.
- Galvanized steel lift-off hinges with stainless steel pins.
- Cover fastened securely with zinc plated draw pull catches.
- Provisions for padlocking on zinc-plated draw pull catch.
- Embossed mounting holes on back.
- Oil resistant gaskets are permanently secured.

Finish

- Enclosure and cover are finished in ANSI 61 gray powder coating.

Accessories

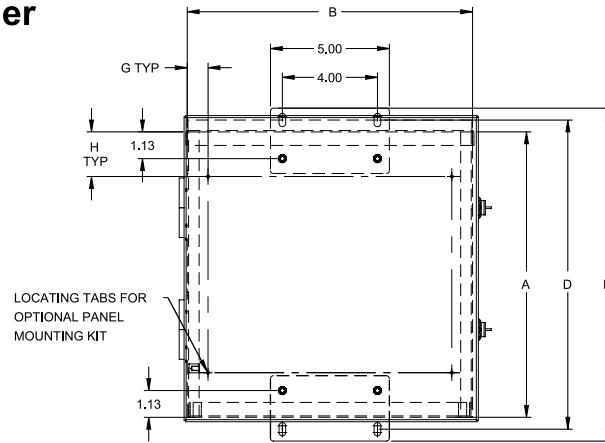
- Panel mounting kit...*see below*
- Inner panel...*see below*
- Mounting feet...*see below*

Part Number	Optional Panel	Optional Panel Mounting Kit	Optional Mount Foot Kit	Optional			Optional		Mount	Overall Dim.				Body Gauge	Ship Wt. lbs
				A	B	C	Panel Size	D		E	F	G	H		
C3R864HCLO	14R0505	C3RHCLPK1	C3RHCLOMFK1	8	6	4	4.88	4.88	9	10	7.12	0.88	1.88	16	5
C3R886HCLO	14R0705	C3RHCLPK1	C3RHCLOMFK1	8	8	6	6.75	4.88	9	10	9.12	0.88	1.88	16	7
C3R1086HCLO	14R0707	C3RHCLPK1	C3RHCLOMFK1	10	8	6	6.75	6.88	11	12	9.12	0.88	1.88	16	9
C3R12106HCLO	14R0909	C3RHCLPK1	C3RHCLOMFK1	12	10	6	8.75	8.88	13	14	11.12	0.88	1.88	16	11
C3R12126HCLO	14R1109	C3RHCLPK1	C3RHCLOMFK1	12	12	6	10.75	8.88	13	14	13.12	0.88	1.88	16	12
C3R16126HCLO	14R1311	C3RHCLPK1	C3RHCLOMFK1	16	12	6	12.75	10.88	17	18	13.12	0.88	1.88	16	15
C3R16166HCLO	18P1313	C3RHCLPK2	C3RHCLOMFK2	16	16	6	13.00	13.00	17	18	17.12	2.38	2.38	16	23
C3R20166HCLO	18P1713	C3RHCLPK2	C3RHCLOMFK2	20	16	6	17.00	13.00	21	22	17.12	2.38	2.38	16	27
C3R20208HCLO	18P1717	C3RHCLPK2	C3RHCLOMFK2	20	20	8	17.00	17.00	21	22	21.12	2.38	2.38	16	36
C3R24208HCLO	18P2117	C3RHCLPK2	C3RHCLOMFK2	24	20	8	21.00	17.00	25	26	21.12	2.38	2.38	16	43
C3R24248HCLO	18P2121	C3RHCLPK2	C3RHCLOMFK2	24	24	8	21.00	21.00	25	26	25.12	2.38	2.38	14	49
C3R30248HCLO	18P2721	C3RHCLPK2	C3RHCLOMFK2	30	24	8	27.00	21.00	31	32	25.12	2.38	2.38	14	57

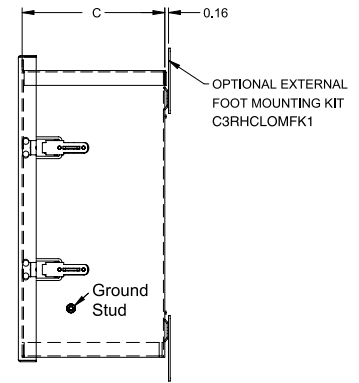
Hinged Cover Lift-Off Enclosures without Knockouts

NEMA 3R

16x12 and Smaller



Front View

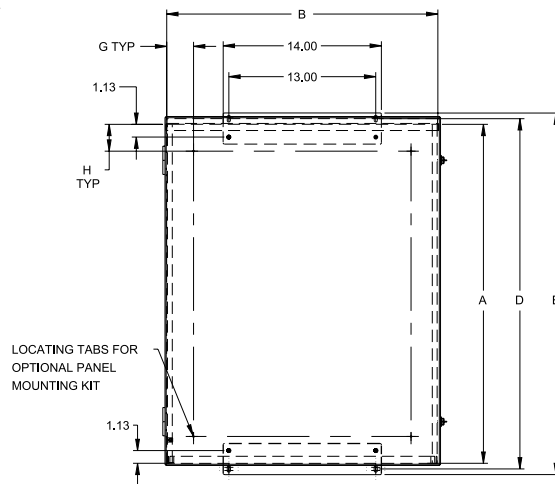


Side View

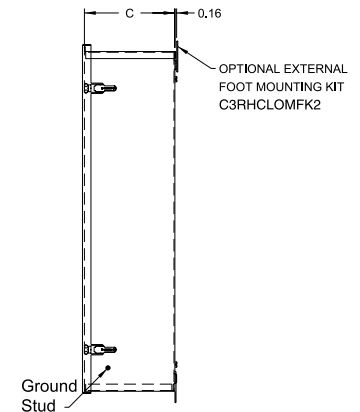


Bottom View

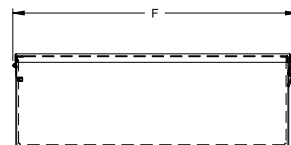
16x16 and Larger



Front View



Side View



Bottom View

Commercial Enclosures

