

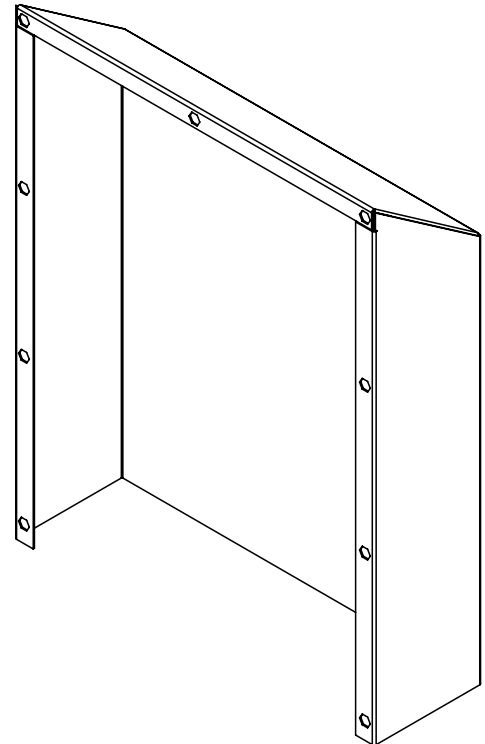
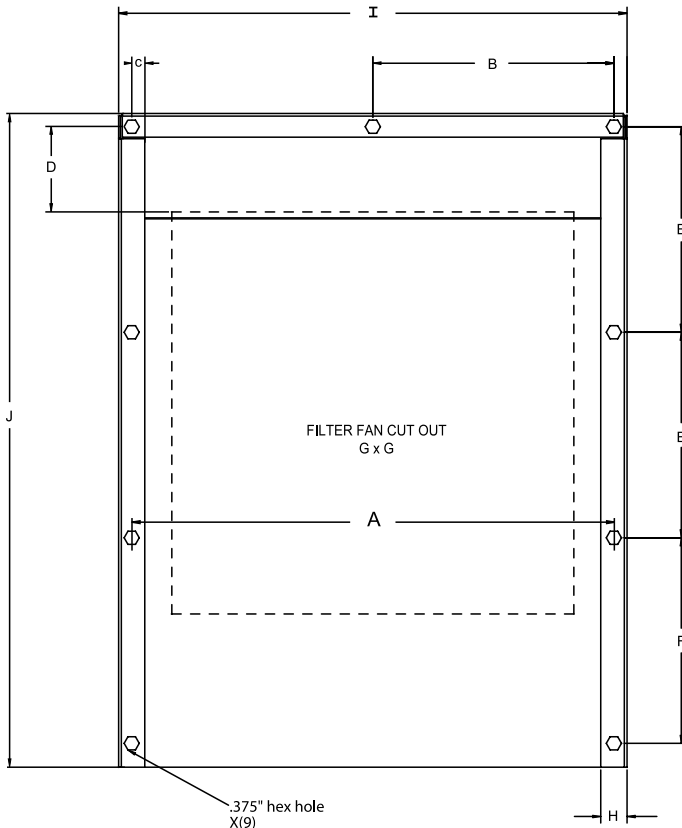
Filterfan Rainhoods - NEMA 3R



Applications

- NEMA 3R / Outdoor Rainhoods Standard Filterfans
- Fits sizes PF 2000, PF 25/3000 & PF 5/6/7000 Units
- 304 Stainless Steel Design for use on Washdown NEMA 4X enclosures
- Due to dust protection regulations, NEMA 4/4X rating on these systems is not possible.
- Gasket and sealing washers included.

Part No.	Goes With	Color
PFRH2000LG	PF/PFA2000	RAL7035
PFRH2000GY	PF/PFA2000	ANSI 61 Grey
PFRH2000SS	PF/PFA2000	304 Stainless Steel
PFRH3000LG	PF/PFA2500/3000	RAL7035
PFRH3000GY	PF/PFA2500/3000	ANSI 61 Grey
PFRH3000SS	PF/PFA2500/3000	304 Stainless Steel
PFRH5000LG	PF/PFA5000/6000/7000	RAL7035
PFRH5000GY	PF/PFA5000/6000/7000	ANSI 61 Grey
PFRH5000SS	PF/PFA5000/6000/7000	304 Stainless Steel



Climate Control

Series No.	A	B	C	D	E	F	G	H	I	J
PFRH2000	6.85	N/A	0.97	1.48	4.75	N/A	4.92	0.75	7.60	10.56
PFRH3000	10.79	5.39	1.00	2.50	6.82	N/A	8.78	0.75	11.54	14.69
PFRH5000	13.74	6.87	1.14	2.15	5.86	5.86	11.45	0.75	14.49	18.63

Technical references and DXF downloads available at www.hamfmfg.com

All dimensions in inches unless specified otherwise

Quality Enclosures. Service Excellence.