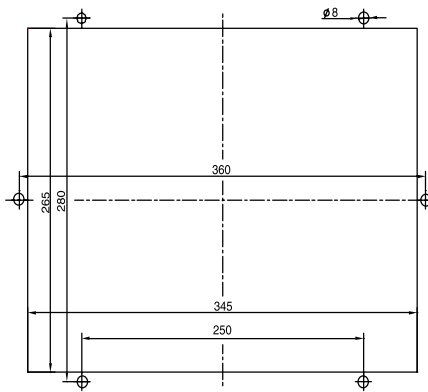




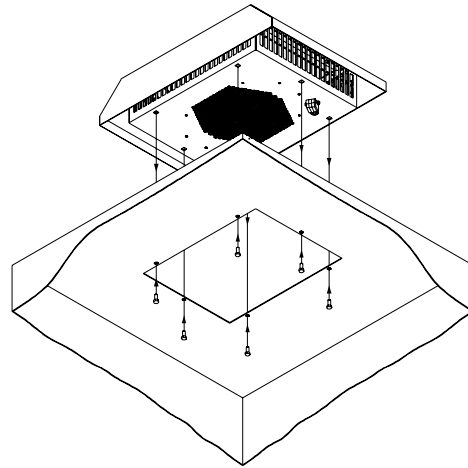
### Top Mount Fan

- Mounts to top of enclosure.
- Ideal for use with IME Series (not compatible with 400mm deep IMET cabinets).
- 470 CFM free flow, 375 CFM using PFA6000 as inlet.
- 115V 50/60Hz
- Terminal block connection.
- 20.9" x 13.8" x 4.3"H
- UL/cUL Approved.
- Gasket seal- IP33 ingress protection level.
- Finished in RAL7032 beige.

Part No. **PTF8000**



**Cutout Template**  
(dimensions in mm)



Climate Control

### Fan Panels

- Create your own rack mount fan or filter fan from these panels.
- Black powder coated steel.
- Also available in 24" and other widths or custom configurations.
- Fans sold separately



19" Grill Panel Shown

### Punched 19" Fan Panels

Part No.	Panel Size	Cutouts for Std. Fans	# Holes	Optional Fan Part No. (115V)	Optional Fan Guard Grill	Optional Filter Grill (Black)	Optional Replacement Filter (pkg. 5)
PPFP190802BK1	3U	80mm/3.15"	2	FAN80AC115	FAN80FG	XPFA80BK	PFF1000
PPFP190803BK1	3U	80mm/3.15"	3	FAN80AC115	FAN80FG	XPFA80BK	PFF1000
PPFP191202BK1	4U	120mm/4.70"	2	DNMF100AC115	DNFG	XPFA120BK	PFF2000

### Punched 19" Grill Panels (with integral front finger guard)

PPGP191202BK1	3U	120mm/4.70"	2	DNMF100AC115	DNFG	-	-
---------------	----	-------------	---	--------------	------	---	---