

# General Accessories

## Light Kits

General Accessories

Light Kits



### Stack Lights

- Modular design for all indoor and outdoor applications.
- Provides warning signals and displays machine status.
- High level of protection against electric shock with IP 54 rating.
- Separate components for easy ordering to suit every installation application.

### Base and Tubes

Part No.	Description	L1	L2	Ship Wt lbs
PBR50BC	Base and End Module	-	-	5
PBR50S100	Tubular Stand/Plinth	88mm(3.46in)	-	5
PBR50S250	Tubular Stand/Plinth	238mm (9.37in)	-	5
PBR50T100	Threaded tubular stand/bracket	-	78mm (3.07in)	5
PBR50T250	Threaded tubular stand/bracket	-	228mm (8.98in)	5
PBR50T400	Threaded tubular stand/bracket	-	378mm (14.13in)	5

### Modules

Part No.	Description	Ship Wt lbs
PBR50CLCL	Continuous beam module, transparent	1
PBR50CLYE	Continuous beam module, yellow	1
PBR50CLAM	Continuous beam module, amber	1
PBR50CLRE	Continuous beam module, red	1
PBR50CLGR	Continuous beam module, green	1
PBR50CLBL	Continuous beam module, blue	1
PBR50BLYE24V	Blinking module, yellow	1
PBR50BLRE24V	Blinking module, red	1
PBR50BLGR24V	Blinking module, green	1

### Gaskets, Bulbs and Accessories

Part No.	Description	Ship Wt lbs
PBR50MG	Replacement gasket for light module + base module	1
PBR50TG	Replacement gasket for mounting tube with plinth	1
PBR50BG	Replacement gasket for direct mounting IP 65	1
PBR50LED24	LED light bulb 24V/BA15d	1
PBR50LED115	LED light bulb 115V/BA15d	1
PBR50L24	Light bulb 24V DC/BA15d 7W	1
PBR50L115	Light bulb 115V DC/BA15d 7W	1
PBR50LS	Bulb Remover / Installer	1
PBR50EXT	Stacklight Extension	2

### How to Order:



#### Tubular Stand/Plinth

Sample Order	Part Number
1x base & end module	PBR50BC
1 x stand with plinth 250mm	PBR50S250
1x continuous beam module, red	PBRCLRE
1x continuous beam module yellow	PBR50CLYE
1x continuous beam module green	PBR50CLGR
3x light bulb 24V/7W	PBR50L24



#### Direct Mounting

Sample Order	Part Number
1x base & end module	PBR50BC
1 x continuous beam module, green	PBR50CLGR
1x continuous beam module, red	PBR50CLRE
1x continuous beam module clear	PBR50CLCL
1x continuous beam module amber	PBR50CLAM
1x continuous beam module blue	PBR50CLBL
5x light bulb 24V/7W	PBR50L24



#### Threaded Tubular Stand/Bracket

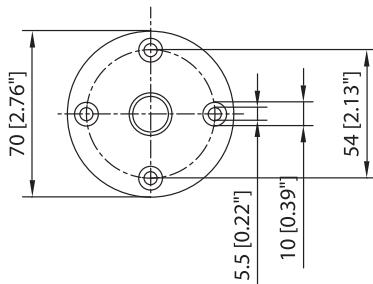
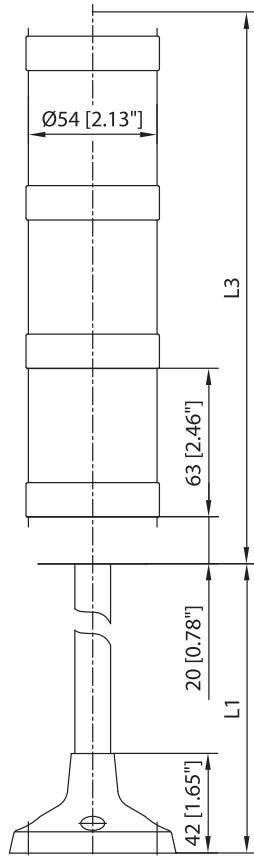
Sample Order	Part Number
1x base & end module	PBR50BC
1 x continuous beam module, red	PBR50CLRE
1x continuous beam module, clear	PBR50CLCL
1x continuous beam module, amber	PBR50CLAM
1x threaded tubular stand with bracket	PBR50T250
3x light bulb 24V/7W	PBR50L24

Technical references and CAD downloads available at [www.hammondmfg.com](http://www.hammondmfg.com)

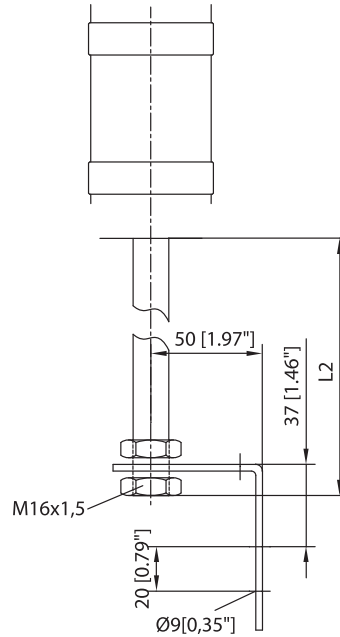
All dimensions in inches unless specified otherwise

# General Accessories

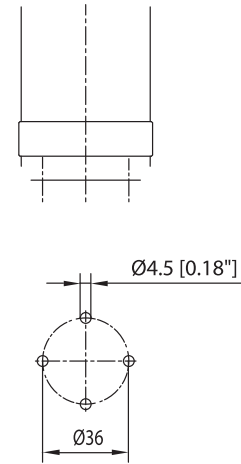
## Light Kits



**Tubular Stand/Plinth**



**Threaded Tubular Stand/Bracket**



**Direct Mounting**

Part No.	L3
Single module	107mm (4.21in)
2 modules	170mm (6.69in)
3 modules	233mm (9.17in)
4 modules	296mm (11.65in)
5 modules	359mm (14.13in)

**Other Data**

- Protection Rating:** IP 54
- Operating Temperature:** -25° C to + 45° C
- Relative Humidity:** 90%
- Installation:**
  - Vertical or horizontal
  - Mounting stand, tube mounting or direct mounting
- Accessories:**
  - Gasket for light module + basic module IP 65
  - Gasket for tubular stand on plinth IP 65
  - Gasket for direct mounting IP 65
- Weight of Plinth:**
  - Wall bracket with hood
  - Stand mounting (w/o module): approx. 220g
  - Tube mounting (w/o module): approx. 200g
  - Direct mounting (w/o module): approx. 180g

**Materials:** Modular: polycarbonate, Plinth: ABS, Tube: stainless steel

Modular Data:	Continuous Beam	Blinking Light
Module Colors:	yellow, red, green, amber, blue, transparent	yellow, red, green
Module Stages:	Max. 5	Max. 5
Angle of Beam:	360°	360°
Percentage Duty Cycle:	100%	100%
Rated Power, max:	7W	7W
Rated Power with 5 stages:	5W	5W
Lamp Socket:	BA 15 d	BA 15 d
Service life of light bulb/tube:	approx. 1500h	approx 1500h
AC Voltage Rating:	230 V, 50/60 Hz, -15% to +10%	230 V, 50/60 Hz, -15% to +10%
Current Capacity Rating:	0.035 A	0.08 A
DC Voltage Rating:	24 V, -15%to + 20%	24 V, -15%to + 20%
Current Capacity Rating:	0.3 A	0.25 A

General Accessories

Light Kits

