



Quality Products. Service Excellence.

3000-5000 BTU/H Outdoor Slimline Air Conditioner *DTS SL Series*

Type 3R, 4, 4X, Side Mounting



Description

- Narrow design for side mounting on any enclosure surface where hot spot or low capacity cooling is required.
- Closed loop cooling ensures clean enclosure air is recirculated without ever mixing with contaminated ambient air.

Standards

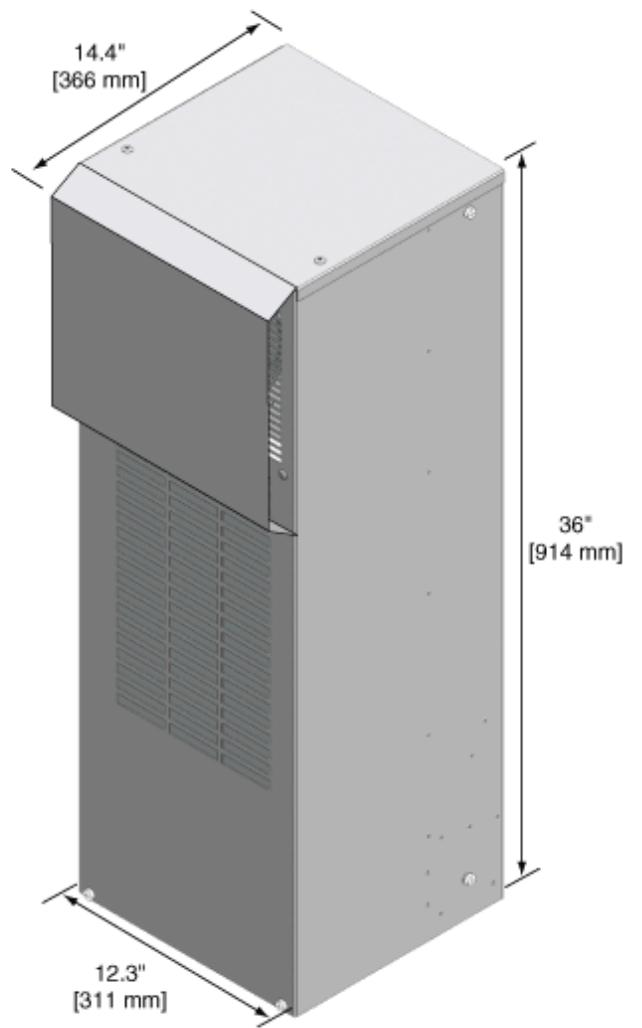
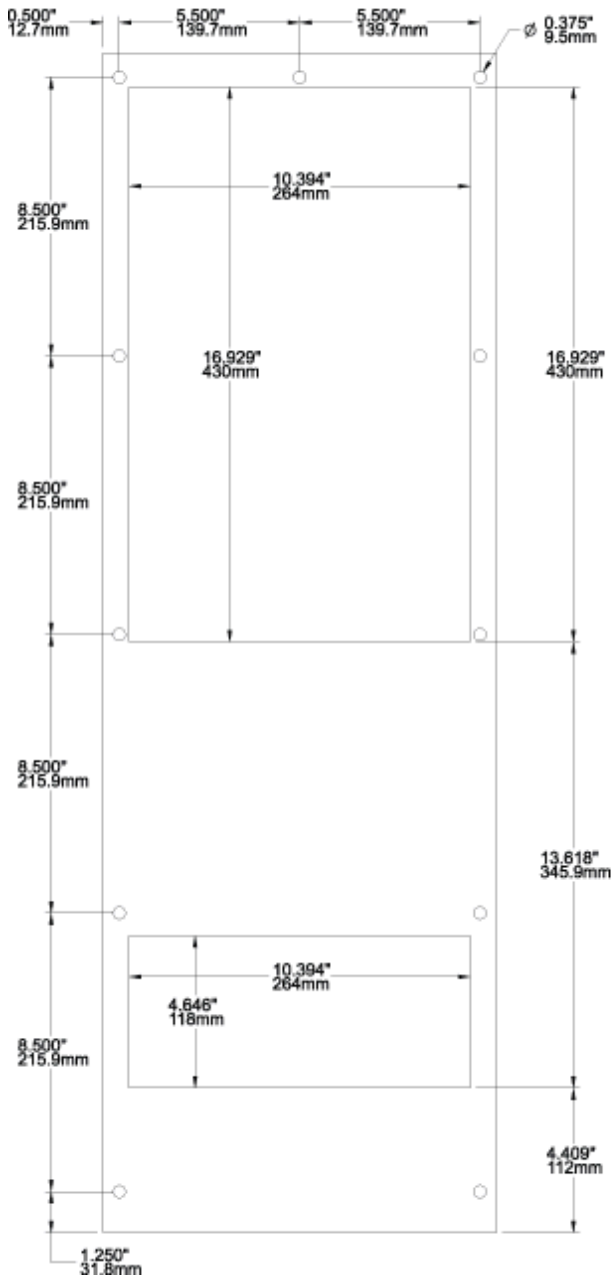
- Complies with
 - NEMA 3R, 4, 4X rating
- IP 56
- UL, cUL and CE

Features

- R134a refrigerant.
- Thermostat control accessible from inside enclosure.
- Expansion valve increases efficiency with improved evaporator heat transfer and less frequent compressor operation.
- Built in condensor/evaporator
- Continuous air circulation from high capacity fans.
- EMI/RFI suppression meets CE.
- Self-diagnostics on startup.
- Fault indication via LED light.
- Door contact for power down when enclosure door is opened.
- Gasket, mounting kit and template for cutout and drilling are included.
- Condensate drain hose and clamp

Accessories

- Remote Door Switches
- Gasket Kits
- Condensate Bottle
- Filter Kits
- Water Condensate Evaporator



Part Number	Type Rating
DTS3161SLA2N3LG	3R, 4
DTS3161SLA4N3LG	3R, 4
DTS3181SLA2N4SS	4X
DTS3181SLA4N4SS	4X

* For ANSI 61 Gray replace LG with GY

Electrical Data	DTS3161SLA2N3LG	DTS3161SLA4N3LG
	DTS3181SLA2N4SS	DTS3181SLA4N4SS
Rated Voltage	230 V 50/60 Hz	460 V 50/60 Hz
Range of Operation	198-253 V	360-506 V
Power Consumption	890 W	751 W
Running Amps	4.49 A	2.25 A
Starting Current	14.8 A	14.8 A
Line Cord	Terminal Block	Terminal Block

Refrigeration Data	230V	460V
Cooling Capacity BTU/h (Watts)	5648 BTU/h (1654 Watts)	5301 BTU/h (1552 Watts)
Type of Refrigerant	R134a	
Refrigerant Charge	700g	900g
Adjustable Control Range	+ 59...+ 113°F / + 15...+ 45°C	
	Factory setting +95°F (+35°C)	
Max Ambient Air Temp	+131°F (+55°C)	
Min Ambient Air Temp	+32°F (+0°C)	

Refrigeration Data	230V	460V
Air Capacity (unrestricted)	Internal Circulation 350 CFM	External Circulation 350 CFM
Condensate Discharge	Condensate Evaporator	
Filter Mat	Filterless	
Db Noise Level	<70 dB (A)	
Unit Weight	108 lbs (49 kg)	
Exterior Case	Galvanized Sheet Steel	
Finish LG	RAL7035 light Gray	
Finish GY	ANSI 61 Gray	
Finish SS	304 Stainless Steel # 4 brush	
Nema Rating	Enclosures IP 54/Nema 3R, 4, 4X	

Tags: **DTS, air conditioner, cooler, outdoor, low capacity, 5000 BTU, side mounting, NEMA 4X, Type 4X** *Data subject to change without notice*

© 2026. Hammond Manufacturing Ltd. All rights reserved.