

Filterfan PF 65000, PF 66000, PF 67000 / Exhaust Filter PFA 60000



Features

- Maintains a UL Tested NEMA Type 12 seal against enclosure
 - UL Recognized to UL 508a, category NITW2/8, UL File #E175229
 - Patented "Click & Fit" design provides a hardware free installation!
 - Plastic made from strong, heat resistant (ABS-FR), UL 94 VO fire approved material
 - Fan Motor is CSA Approved
- Options: Black Grills



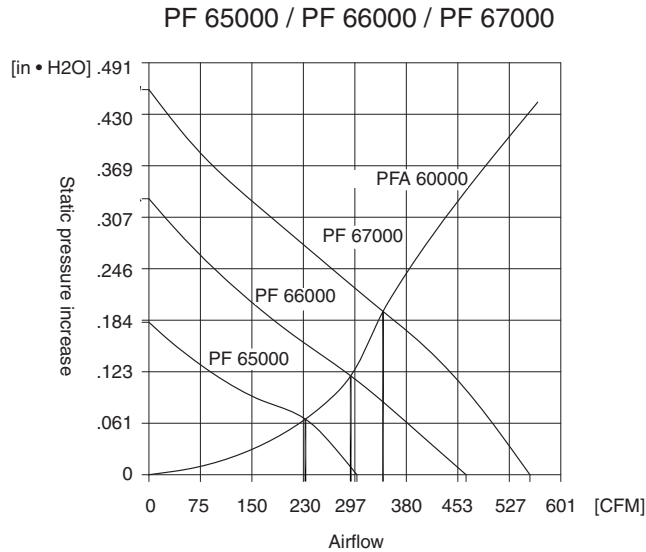
Part Number	Voltage	Power	Mating Exhaust Filter	Ship Wt. lbs.
PF65000T12LG	115V	90W	PFA60000LG	7.5
PF65000T12LG230	230V	150W	PFA60000LG	7.5
PF66000T12LG	115V	160W	PFA60000LG	8.0
PF66000T12LG230	230V	150W	PFA60000LG	8.0
PF67000T12LG	115V	95W	PFA60000LG	8.0
PF67000T12LG230	230V	214W	PFA60000LG	8.0

Airflow data	PF 65000	PF 66000	PF 67000	PFA 60000
Filter material	Type 12 Filtermat	Type 12 Filtermat	Type 12 Filtermat	Type 12 Filtermat
Unimpeded airflow	297 CFM	462 CFM	560 CFM	-
Capacity free-flow	IP 54: 160 W/K / 160 W/K	IP 54: 213 W/K / 218 W/K	IP 54: 282 W/K / 292 W/K	-
	IP 55: 168 W/K / 168 W/K	IP 55: 257 W/K / 262 W/K	IP 55: 308 W/K / 317 W/K	-
Airflow in combination	230 CFM	295 CFM	368 CFM	-
(Filterfan + Exhaust Filter) (PF 65000 + PFA 60000)		(PF 66000 + PFA 60000)	(PF 67000 + PFA 60000)	
Capacity in combination	127 W/K	167 W/K	208 W/K	-
(Filterfan + Exhaust Filter) (PF 65000 + PFA 60000)		(PF 66000 + PFA 60000)	(PF 67000 + PFA 60000)	
Max. static pressure (Airflow = 0)	74 Pa	134 Pa	187 Pa	-
Filtration efficiency	91 %	91 %	91 %	91 %
Filter material grade	G 4 (DIN EN 779)	G 4 (DIN EN 779)	G 4 (DIN EN 779)	G 4 (DIN EN 779)
Duty cycle	100%	100%	100%	-

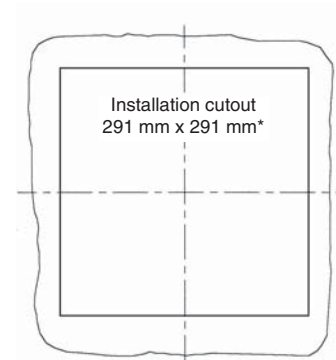
Technical data	PF 65000	PF 66000	PF 67000	PFA 60000
Outside dimensions in mm (height x width x installation depth)	320 x 320 x 150	320 x 320 x 150	320 x 320 x 150	320 x 320 x 39
Bearing type	ball bearings	ball bearings	ball bearings	-
Fitting position		any, horizontal airflow preferred	any	
Construction	housing and guard of sprayed thermoplastic, self-extinguishing, UL 94 VO			
Weight	3.2 kg	3.2 kg	3.7 kg	0.7 kg
Safety protection	in accordance with DIN 31 001			
Color	RAL 7035, Light Grey			
Connections	cage clamp	cage clamp	cage clamp	-

Filterfan PF 65000, PF 66000, PF 67000 / Exhaust Filter PFA 60000

Airflow data:

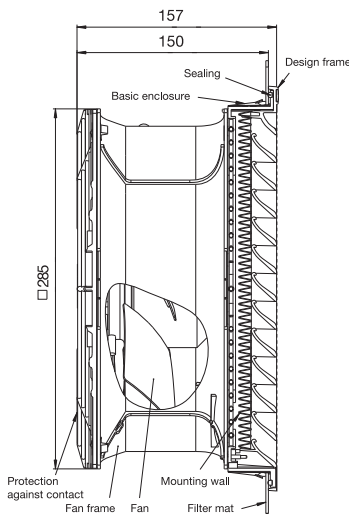


PF 65000, PF 66000, PF 67000 + PFA 60000

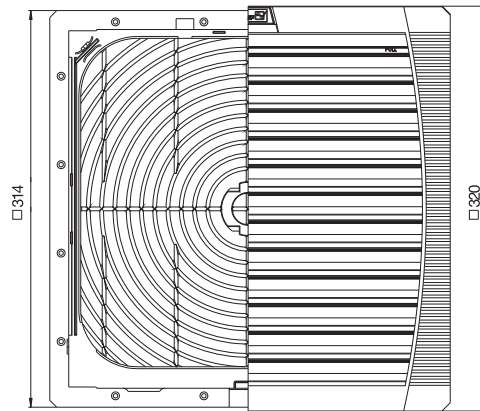


Mechanical data:

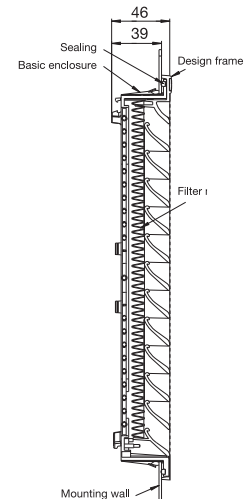
PF 65000, PF 66000,
PF 67000



PF 65000, PF 66000,
PF 67000 + PFA 60000



PFA 60000



Supplementary data	PF 65000	PF 66000	PF 67000
Operating temperature	- 15 °C (- 5 °F) to / bis + 55 °C (+ 131 °F)		
Storage temperature	- 20 °C (- 4 °F) to / bis + 70 °C (+ 158 °F)		
Max. relative humidity	90%		
System of protection	NEMA Type 12, IP 55 (EN 60 529), when installed as specified		
Basic Accessories	parts kit filter mat, user manual radiant heater, fan heater, thermostat, hygrostat		
Approvals	UL Recognized		
* Tolerance installation cutout	177 + 1/-0 thickness of material to 2 mm 178 + 1/-0 thickness of material > 2 mm < 3 mm		