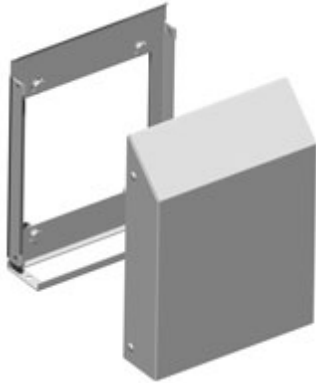




*Quality Products. Service Excellence.*

## Filterfan Rainhoods - 3R *RH Series*



### Application

- Type 3R / Outdoor Rainhoods
- Protection against rain and snow or large airborne debris
- Sold individually

### Features

- Easy installation
- Covers many external mounted Fans & Grills
- Fits PF2000/PF22000 thru PF5/6/7000 series Filterfans
- Tamperproof hardware and sealing gasket provided



### Standards

- UL 508A type 3R
- CSA C22.2 #94-M1

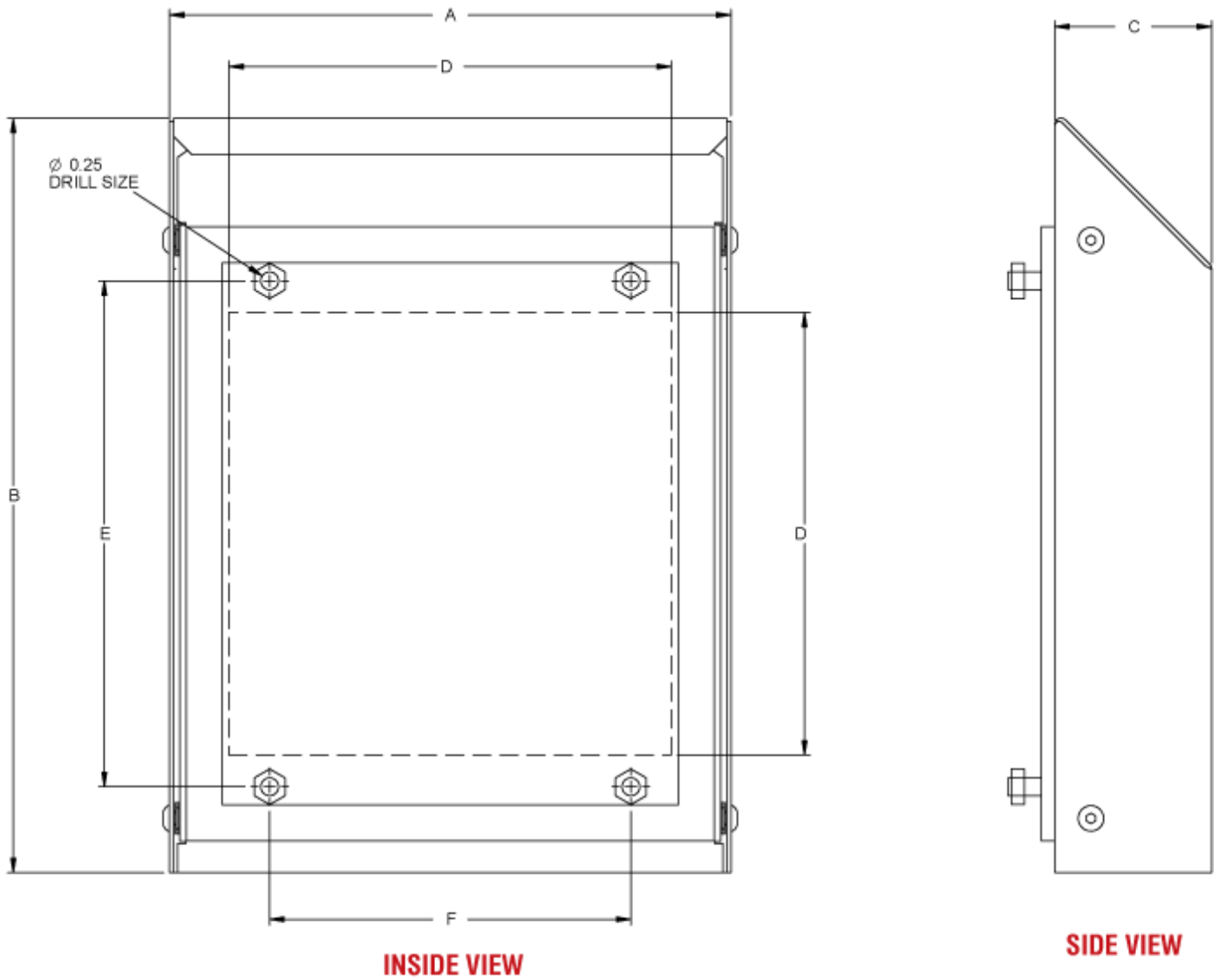
### Finish

- Cover offered in ANSI61 gray or RAL7035 light gray powder coated finish on mild steel
- Also offered in stainless steel 304 #4 finish
- Base in Galvanized sheet steel

### Grill/Solid Cover Kit

- Can be installed in bottom opening of rain hood
- Grill allows ventilation while preventing unwanted entry of large contaminants
- Solid cover allows sealing of opening when fan/filter not in use





Part No.	Overall Dimensions			Cut-out	Bolt Pattern		Use with	Finish
	A	B	C		D	E		
RH20000GY	7.77	10.44	2.17	6.12	7.00	5.00	PF2000/PF22000 Series	ANSI 61 Gray
RH20000LG	7.77	10.44	2.17	6.12	7.00	5.00	PF2000/PF22000 Series	RAL7035
RH20000SS	7.77	10.44	2.17	6.12	7.00	5.00	PF2000/PF22000 Series	Stainless Steel
RH40000GY	11.71	14.57	3.35	10.12	11.00	9.00	PF25, 30, 32, 43000 Series	ANSI 61 Gray
RH40000LG	11.71	14.57	3.35	10.12	11.00	9.00	PF25, 30, 32, 43000 Series	RAL7035
RH40000SS	11.71	14.57	3.35	10.12	11.00	9.00	PF25, 30, 32, 43000 Series	Stainless Steel
RH60000GY	14.66	15.88	4.33	13.00	13.88	12.00	PF5,6,7000, 65, 67000 Series	ANSI 61 Gray
RH60000LG	14.66	15.88	4.33	13.00	13.88	12.00	PF5,6,7000, 65, 67000 Series	RAL7035
RH60000SS	14.66	15.88	4.33	13.00	13.88	12.00	PF5,6,7000, 65, 67000 Series	Stainless Steel

**Grill/Solid Cover Kit**

Part No.	Use With	Finish
RHA20000G	RH20000GY,LG,SS	Galvanized Steel
RHA40000G	RH40000GY, LG, SS	Galvanized Steel
RHA60000G	RH60000GY,LG, SS	Galvanized Steel

Data subject to change without notice

