



Quality Products. Service Excellence.

15-150 W Heater *SHG Series*

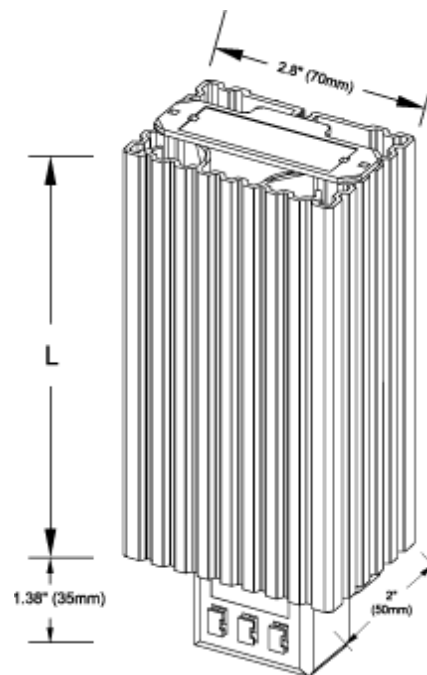


Features

- Designed to provide enclosed electronic, pneumatic, hydraulic and mechanical equipment with protection from low temperatures, condensation and corrosion.
- The PTC (Positive Temperature Coefficient) heater unit maintains a stable temperature environment within enclosures, allowing critical components to perform with consistent reliability for longer periods.
- Push connectors for quick and easy wiring
- Used in combination with Normally Closed Thermostat or Humidistat

Accessories

- Temperature Controls and Accessories



| Part No. | Watts ¹ | Max. Current ² | L |
|----------|--------------------|---------------------------|------|
| SHG14000 | 15W | 1.1A | 2.60 |
| SHG14001 | 30W | 1.2A | 2.60 |
| SHG14003 | 45W | 1.8A | 2.60 |
| SHG14005 | 60W | 2.5A | 5.50 |
| SHG14006 | 75W | 4.5A | 5.50 |
| SHG14007 | 100W | 5.0A | 5.50 |
| SHG14008 | 150W | 7.5A | 8.70 |

¹ At 68oF (20oC) ambient temperature

² Inrush current

Operating Voltage: AC 110- 250 V

Heating Element: PTC resistor, self regulating surface temperature

15-150 W Heater (SHG Series) - Hammond Mfg.

| | |
|-------------------|--|
| Heating Body: | Anodized extruded aluminum |
| Connection: | Push-type terminals for stranded and solid wire 3 x AWG 20 AWG 16 (0.5 - 1.5 mm ²) |
| Mounting: | Easily installed by clip mounting on 35 mm DIN rails (included) |
| Protection Class: | I, test voltage 1600 V |
| Protection: | IP20 |
| Approval: | UL Recognized Component, cUL Recognized Component, CE |

Data subject to change without notice

© 2021. Hammond Manufacturing Ltd. All rights reserved.