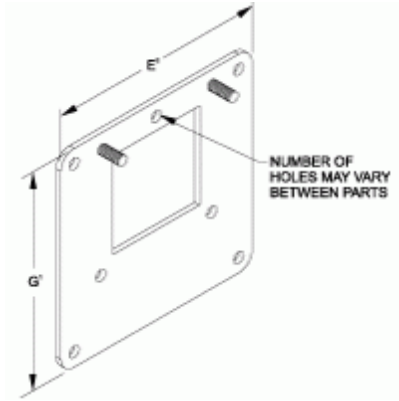




*Quality Products. Service Excellence.*

## Reducers (Edge Hole) 1487RESS Series



Part No.	Reduces	to	H	W
1487DRESS	6 x 6	4 x 4	7.62	7.62
1487ERECSS	8 x 8	4 x 4	9.62	9.62
1487EREDSS	8 x 8	6 x 6	9.62	9.62

*Data subject to change without notice*



© 2021. Hammond Manufacturing Ltd. All rights reserved.