



Quality Products. Service Excellence.

# Tube Driver - Interstage 126 Series

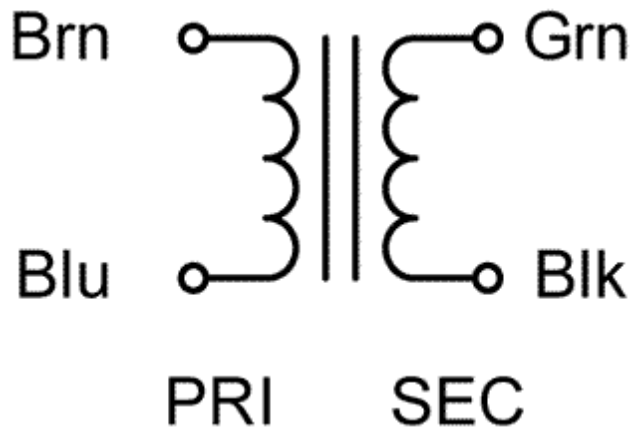
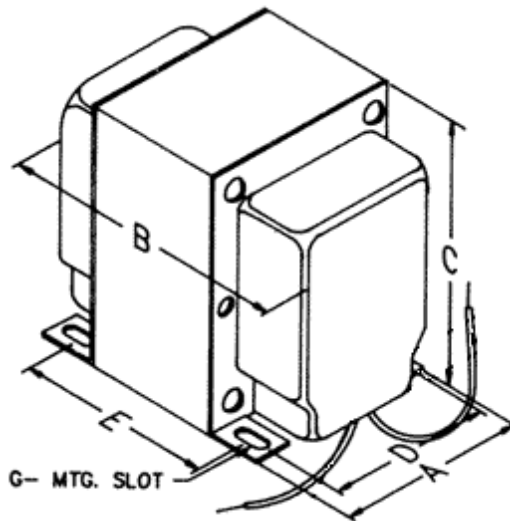
## Features



- Designed for driver use ONLY in single ended tube output amplifiers. These units replace coupling capacitor circuits for improved sound.
- Closed style with minimum 8" long leads.
- All models use bifilar wound windings for exceptional coupling and bandwidth.
- Minimum frequency response 20 Hz. - 20 KHz (+/- 1db max. ref. 1 KHz.).
- The core is gapped to support the specified D.C. bias current.
- Maximum working voltage - 400 VDC
- Units are Hi-Pot tested at 1,000 VDC
- Core uses Hi grade silicon laminations (29M6).
- Units weight - 3 lbs. 2 oz.



Ask About  
Custom  
Transformers  
& Chokes



Part No.	Primary			Secondary			Rated D.C. Bias Current	Dimensions						
	Audio Watts	Impedance (Ohms)	D.C. Resistance (Ohms)	Impedance (Ohms)	D.C. Resistance (Ohms)	Inductance		A	B	C	D	E	G Mtg Slot	

Part No.	Audio Watts	Primary		Secondary			Inductance	Rated D.C. Bias Current	Dimensions					G Mtg Slot
		Impedance (Ohms)	D.C. Resistance (Ohms)	Impedance (Ohms)	D.C. Resistance (Ohms)	A			B	C	D	E		
126A	4	5K	178	5K	178	59 Henrys	15 ma.	2.50	3.12	3.12	2.00	2.25	0.20	0.38
126B	4	5K	178	5K	178	44 Henrys	30 ma.	2.50	3.12	3.12	2.00	2.25	0.20	0.38
126C	4	10K	375	10K	375	106 Henrys	15 ma.	2.50	3.12	3.12	2.00	2.25	0.20	0.38

*Data subject to change without notice*

© 2022. Hammond Manufacturing Ltd. All rights reserved.