



Quality Products. Service Excellence.

# Low Voltage, Filament High Current, Chassis Mount - 150 VA to 450 VA 265 Series

117/234 V Primary

## Features



- 117/234 VAC - 50/60 Hz. dual primary
- Secondaries are either center tapped (C.T.) or dual secondaries (see tables below) for added versatility.
- Open style, 4 hole frame chassis mount.
- Minimum 6" long leads or copper tabs with holes.
- Dual bobbin design - no electrostatic shield required.
- Class B insulation (130 degrees, C).
- Hi-Pot test of 2,000V RMS.
- UL listed (# E207860) Type 3AH
- CSA certified (# LR209651).



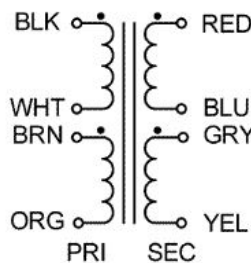
### Primary Wiring Data (both primaries must be energized):

#### 117 VAC Input:

- 1) Connect - Black to Brown
- 2) Connect - White to Orange

#### 234 VAC Input:

- 1) Connect - White to Brown
- 2) Connect - Input to Black and Orange



### Secondary Wiring Data (both secondaries must be utilized for full ratings):

#### Series Output:

- 1) Connect - Blue to Gray
- 2) Output: Red and Yellow

#### Parallel Output:

- 1) Connect - Red to Gray
- 2) Connect - Blue to Yellow



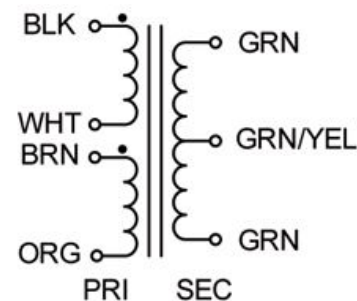
### Primary Wiring Data (both primaries must be energized):

#### 117 VAC Input:

- 1) Connect - Black to Brown
- 2) Connect - White to Orange

#### 234 VAC Input:

- 1) Connect - White to Brown
- 2) Connect - Input to Black and Orange



## 117/234 VAC - 50/60 Hz. DUAL PRIMARY - SINGLE SECONDARY

| Part No. | VA  | Secondary (R.M.S.) |      |
|----------|-----|--------------------|------|
|          |     | VAC                | Amps |
| 265X5    | 150 | 5.0 C.T.           | 30   |
| 265U6    | 101 | 6.3 C.T.           | 16   |
| 265V6    | 126 | 6.3 C.T.           | 20   |
| 265X6    | 158 | 6.3 C.T.           | 25   |
| 265U10   | 175 | 10 C.T.            | 17.5 |
| 265W5    | 250 | 5.0 C.T.           | 50   |
| 265Z5    | 450 | 5 C.T.             | 90   |

\* 5kV Insulation

## 117/234 VAC - 50/60 Hz. DUAL PRIMARY - DUAL SECONDARY

| Part No. | VA  | Secondary VAC (R.M.S.) |                |
|----------|-----|------------------------|----------------|
|          |     | Series Wired (C.T.)    | Parallel Wired |
| 265S24   | 240 | 24V @ 10A              | 12V @ 20A      |
| 265U24   | 360 | 24V @ 15A              | 12V @ 30A      |
| 265V24   | 480 | 24V @ 20A              | 12V @ 40A      |
| 265J234  | 250 | 234V @ 1.07A           | 117V @ 2.14A   |
| 265K234  | 350 | 234V @ 1.5A            | 117V @ 3A      |
| 265L234  | 450 | 234V @ 1.92A           | 117V @ 3.84A   |

*Data subject to change without notice*

© 2021. Hammond Manufacturing Ltd. All rights reserved.