

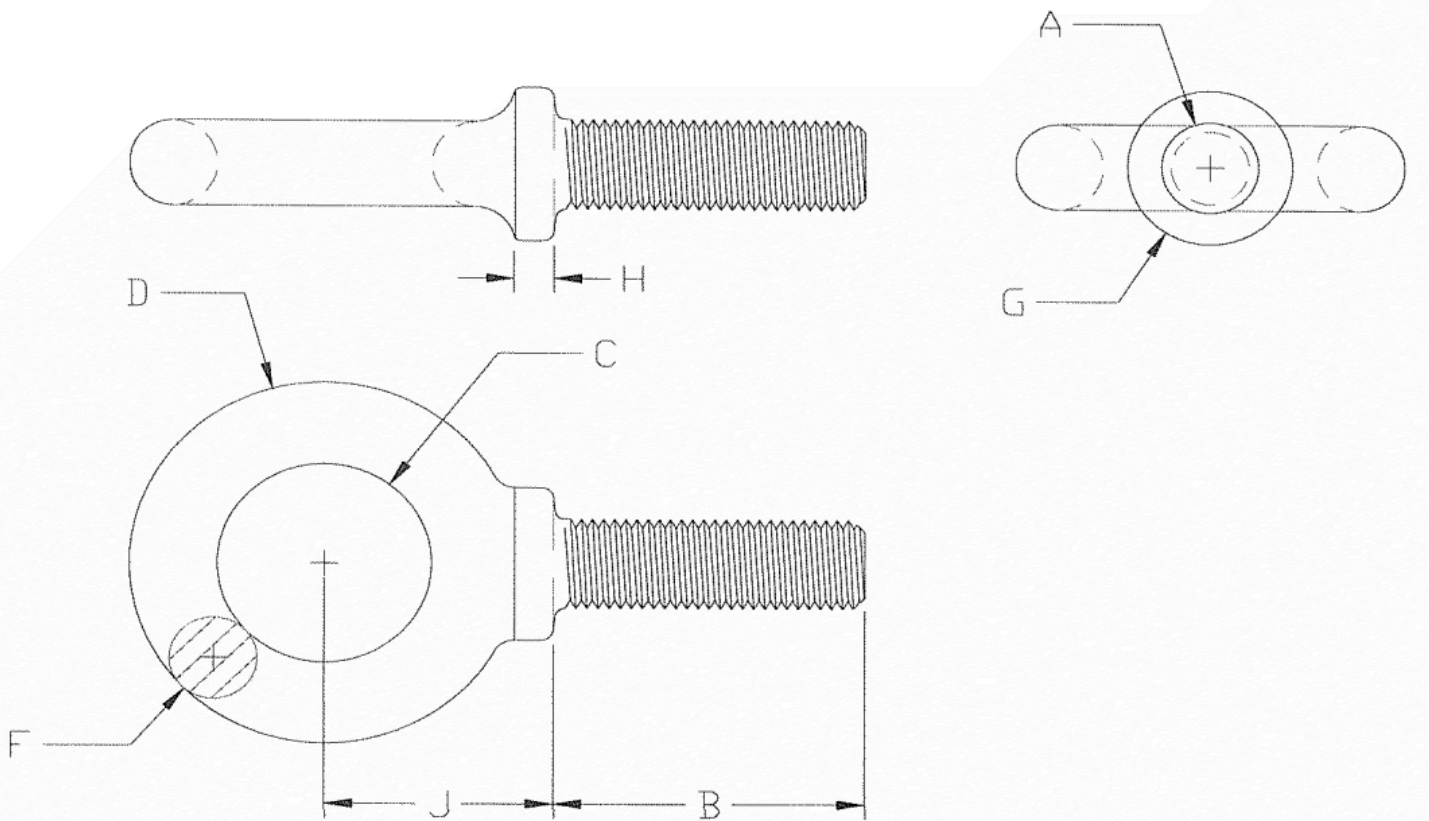
Lifting Eye Bolt Kit *HDMELB Serie*

Heavy-duty lifting eye bolt kit designed for safe handling and positioning of Hammond cabinets.



Features

- Constructed of C1030/C1035 Carbon Steel.
- Helps simplify enclosure transport, positioning, and installation in industrial environments.
- Supports safer lifting practices when moving large modular enclosure systems.
- Sold in packs of four (4) for complete enclosure lifting support.
- Mounts to the front rails and rests against the body of the cabinet or rack.
- ASTM B633 Zinc-plated finished, FE/Zn 5, Type III.
- 2,400 lbs (1,088.62 kg) load rating.
- RoHS Compliant.



Part No.	A Thrd Dia-TPI (UNC-2A*)	B Shank Length	C Eye I.D.	D Eye O.D. (Nominal)	F Eye Sect. Ø	G Collar Diameter	H Collar Thickness	J Loaction
HDMELB	1/2-13	1.56	1.19	2.12	0.47	0.91	0.22	1.38

Tags: **lifting eye bolts, enclosure lifting kit, cabinet lifting hardware, industrial enclosure lifting eyes, enclosure rigging hardware, heavy duty lifting bolts, modular enclosure lifting kit** *Datos sujetos a cambios sin previo aviso.*

© 2026. Hammond Manufacturing Ltd. Todos los derechos reservados.