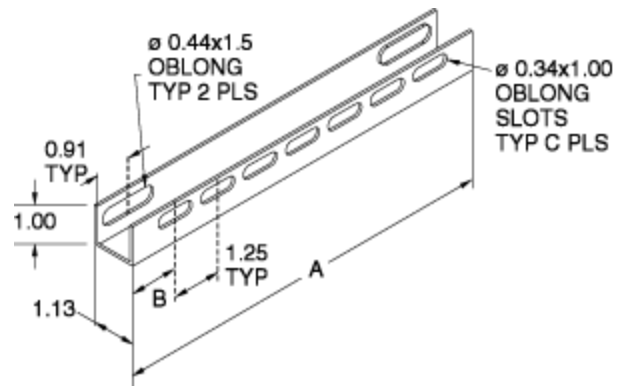


Eclipse DIN Rail Mounting Kit *DRMK Serie*

- Field installable.
- Mounts directly to panel collar studs (panel not required).
- Accepts optional DIN rails.
- DIN rails available separately.
- Zinc plated, yellow dichromate.



Part No.	Length
2DMK12	10.00
2DMK16	14.00
2DMK20	18.00
2DMK24	22.00
2DMK30	28.00

Tags: DIN, DIN rail, mount kit, Eclipse

Datos sujetos a cambios sin previo aviso.