

## 94-169 CFM Filterfans *PF GEN4 Series*

Type 12



### Features

- Maintains a UL Tested NEMA Type 12 seal against enclosure
- UL Recognized to UL 508, category NITW2/8, UL File #E175229
- Patented “Click & Fit” design provides a hardware-free installation
- Plastic made from strong, heat resistant ABS-FR, UL 94 V0 fire approved material
- Fan Motor is CSA Approved

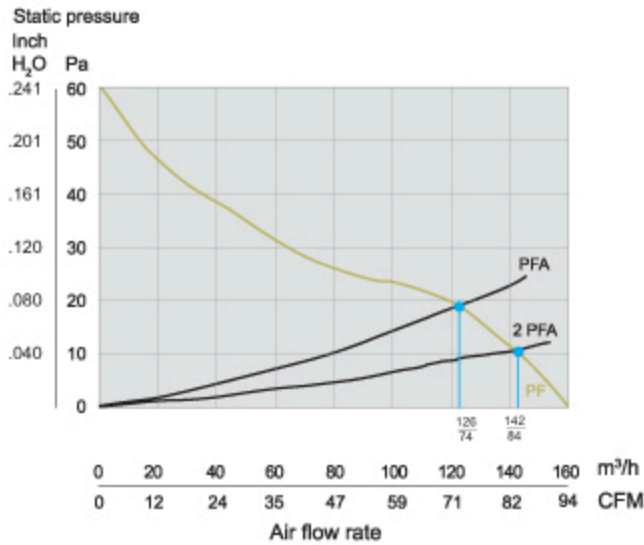
### Accesorios

- Exhaust Filters
- Filterfan Rainhoods - 4/4X
- Thermostats
- Replacement Filters
- Filterfan Rainhoods - 3R

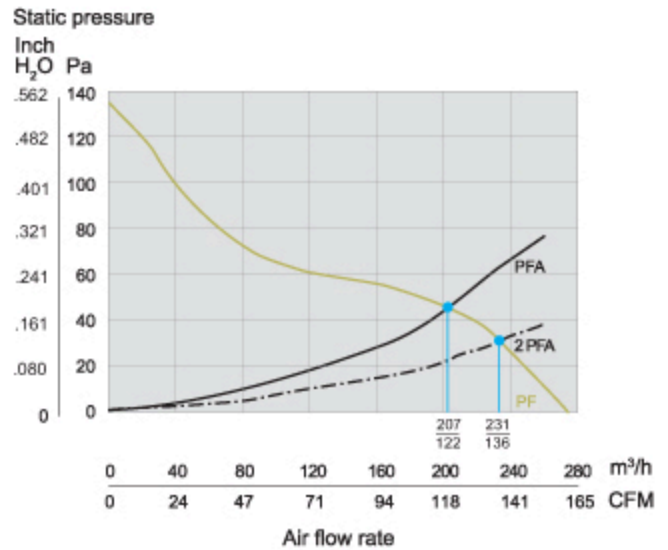


## Airflow Data:

### PF 42.500 IP55 / PFA 40.000 IP55

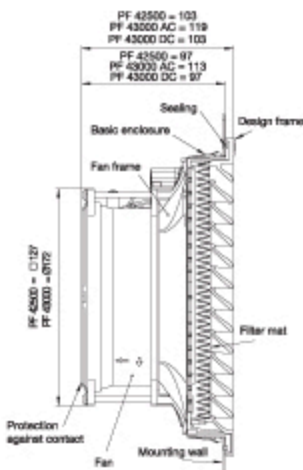


### PF 43.000 IP55 / PFA 40.000 IP55

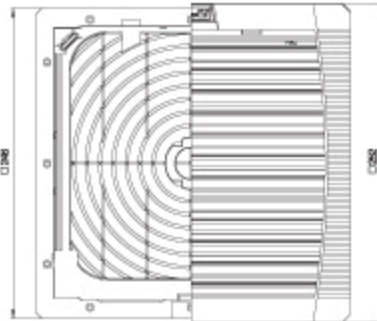


## Mechanical Data:

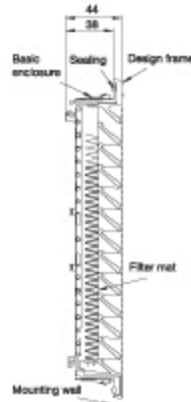
#### PF 42500, PF 43000



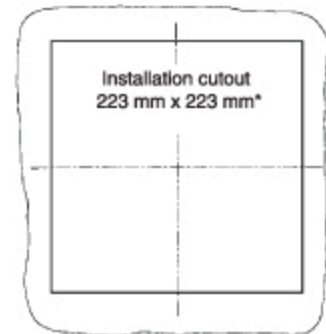
#### PF 42500 PF 43000, PFA 40000



#### PFA 40000



#### PF 42500, PF 43000 + PFA 40000



| Part No.        | Part No         | Exhaust Filter |       |            |            |
|-----------------|-----------------|----------------|-------|------------|------------|
|                 |                 |                |       | RAL7035    | RAL9011    |
| RAL7035         | RAL9011         |                |       | Light Gray | Black      |
| Light Gray      | Black           | Voltage        | Power | Light Gray | Black      |
| PF42500T12LG230 |                 | 230V AC        | 18W   | PFA40000LG | PFA40000BK |
|                 | PF42500T12BK24  | 24V DC         | 5W    | PFA40000LG | PFA40000BK |
| PF43000T12LG    | PF43000T12BK    | 115V AC        | 40W   | PFA40000LG | PFA40000BK |
| PF43000T12LG230 | PF43000T12BK230 | 230V AC        | 39W   | PFA40000LG | PFA40000BK |
| PF43000T12LG24  | PF43000T12BK24  | 24V DC         | 12W   | PFA40000LG | PFA40000BK |

| Airflow data                 | PF 42500               | PF 43000               | PFA 40000              |
|------------------------------|------------------------|------------------------|------------------------|
| Filter material              | NEMA Type 12 Filtermat | NEMA Type 12 Filtermat | NEMA Type 12 Filtermat |
| Unimpeded airflow            | 94 CFM                 | 169 CFM                | -                      |
| Capacity free-flow           | 53 W/K                 | 188 W/K                | -                      |
| Airflow in combination       | 67 CFM                 | 142 CFM                | -                      |
| (Filterfan + Exhaust Filter) | (PF 42500 + PFA 40000) | (PF 43000 + PFA 40000) | -                      |

| Airflow data                            | PF 42500               | PF 43000               | PFA 40000        |
|---|------------------------|------------------------|------------------|
| Capacity in combination                 | 38 W/K                 | 69 W/K                 | -                |
| (Filterfan + Exhaust Filter)            | (PF 43000 + PFA 40000) | (PF 43000 + PFA 40000) | -                |
| Max. static pressure (Airflow = 0 m3/h) | 49 Pa                  | 112 Pa                 | -                |
| Filtration efficiency                   | 0.91                   | 0.91                   | 0.91             |
| Filter material grade                   | G 4 (DIN EN 779)       | G 4 (DIN EN 779)       | G 4 (DIN EN 779) |
| Duty cycle                              | 1                      | 1                      | -                |

| Technical data  | PF 42500   | PF 43000        | PFA 40000      |
|---|--|-----------------|----------------|
|   | AC/DC  | AC/DC           |                |
| Outside dimensions in mm<br>(height x width x installation depth) | 252 x 252 x 97   | 252 x 252 x 113 | 252 x 252 x 38 |
| Bearing type / Lagerart   | ball bearings  |                 | -              |
| Fitting position / Einbaulage                                     | any, horizontal airflow preferred  |                 | any            |
| Construction  | housing and guard of sprayed thermoplastic, self-extinguishing, UL 94 VO |                 |                |
| Weight  | 1.18 kg  | 1.67 kg         | 0.46 kg        |
| Safety protection   | in accordance with DIN 31 001  |                 |                |
| Color LG  | RAL 7035, Light Grey   |                 |                |
| Color BK  | RAL9011 Black  |                 |                |
| Connections / Anschlussart  | cage clamp   | cage clamp      | -              |
| Noise Level (EN ISO 3741)   | 43 dB (A)  | 46 dB (A)       |                |

| Supplementary data              | PF 42500   | PF 43000 | PFA 40000 |
|---------------------------------|--|----------|-----------|
| Operating temperature           | - 15 °C (- 5 °F) to / bis + 55 °C (+ 131 °F)                                       |          |           |
| Storage temperature             | - 20 °C (- 4 °F) to / bis + 70 °C (+ 158 °F)                                       |          |           |
| Max. relative humidity          | 0.9  |          |           |
| System of protection            | NEMA Type 12, IP 55 (EN 60 529), when installed as specified                       |          |           |
| Basic Accessories               | parts kit filter mat, user manual radiant heater, fan heater, thermostat, hygostat |          |           |
| Approvals                       | UL Recognized  |          |           |
| * Tolerance installation cutout | 223 + 1/-0 thickness of material to 2 mm   |          |           |
|                                 | 224 + 1/-0 thickness of material > 2 mm < 3 mm                                     |          |           |

Tags: **filterfan, fan, grill, CFM, airflow, filtration, filter**

*Datos sujetos a cambios sin previo aviso.*

© 2026. Hammond Manufacturing Ltd. Todos los derechos reservados.