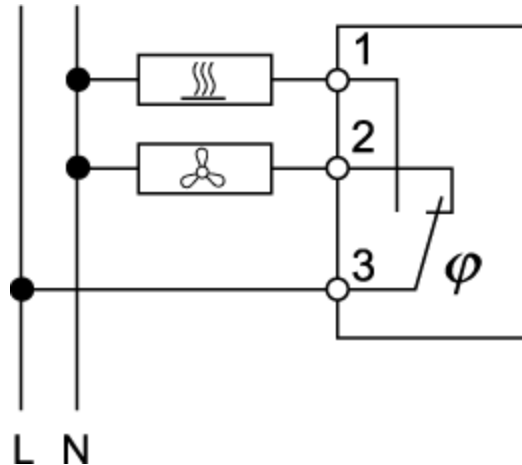


Mechanical Humidistat *SKH Serie*



Features

- Mechanical Humidistat regulates the control of heaters or fans whenever the preset level of relative humidity is reached.



Part No.	Dimensions
	Height x Width x Depth
SKH600NCC	3.5 x 1.5 x 1.8

DATA:	
Control Range:	40 to 90% r.H.
Differential Gap:	Approximately 5%
Switch Point Accuracy:	+/- 4% based on 50% r.H.
Switching capacity (Value in brackets: inductive load cos.φ =0.6)	Humidification: 24V .. 250V AC / 2(0.2)A - min. 100mA Dehumidification: 24V .. 250V AC / 5(0.2)A - min. 100mA DC: 50V, 1A 75V, 0,5A min.100mA
Working Temperature Range:	30°F to 140°F (0°C to 60°C)
Storage Temperature:	-5°F to 180°F (-20°C to 80°C)
Type of Contact:	Change-over switch
Sensor:	Polyamide band
Type of Connection:	2-pole clamp, For AWG14 (2.5mm ²)
Color:	RAL 7035 - Grey
Protection Category:	IP20
Mounting:	Easily installed by clip mounting on 35mm DIN rail (included)
Approval:	CE

