


hammondmfg.com

Type 4X Polyester Junction Box w/ Clear Cover *PB Series*

Lift-Off Cover with Screws



Nota: Esta línea de productos ha sido descatalogada como serie en stock. La información es sólo para referencia. Para obtener asistencia sobre soluciones alternativas, **contacte con Hammond aquí** o llame al EE.UU. (716) 630-7030, Canadá e Internacional (519) 822-2960.



Application

- Designed for use as insulated instrument enclosures, electric, control housings, electrical junction boxes or terminal wiring enclosures.
- Transparent cover provides visibility of inner components without exposure to the environment.
- Provides outstanding insulation and protection where equipment may be hosed down or be very wet.
- Ideal in applications with high temperatures or highly corrosive environments.
- High UV resistance is ideal for outdoor installations.

Standards

- UL/cUL 508A Type 1, 2, 3, 4, 4X, 12 & 13
- Complies with
 - NEMA 1, 2, 3, 3R, 3S, 4, 4X, 12, 13
 - IEC 60529, IP66



Construction

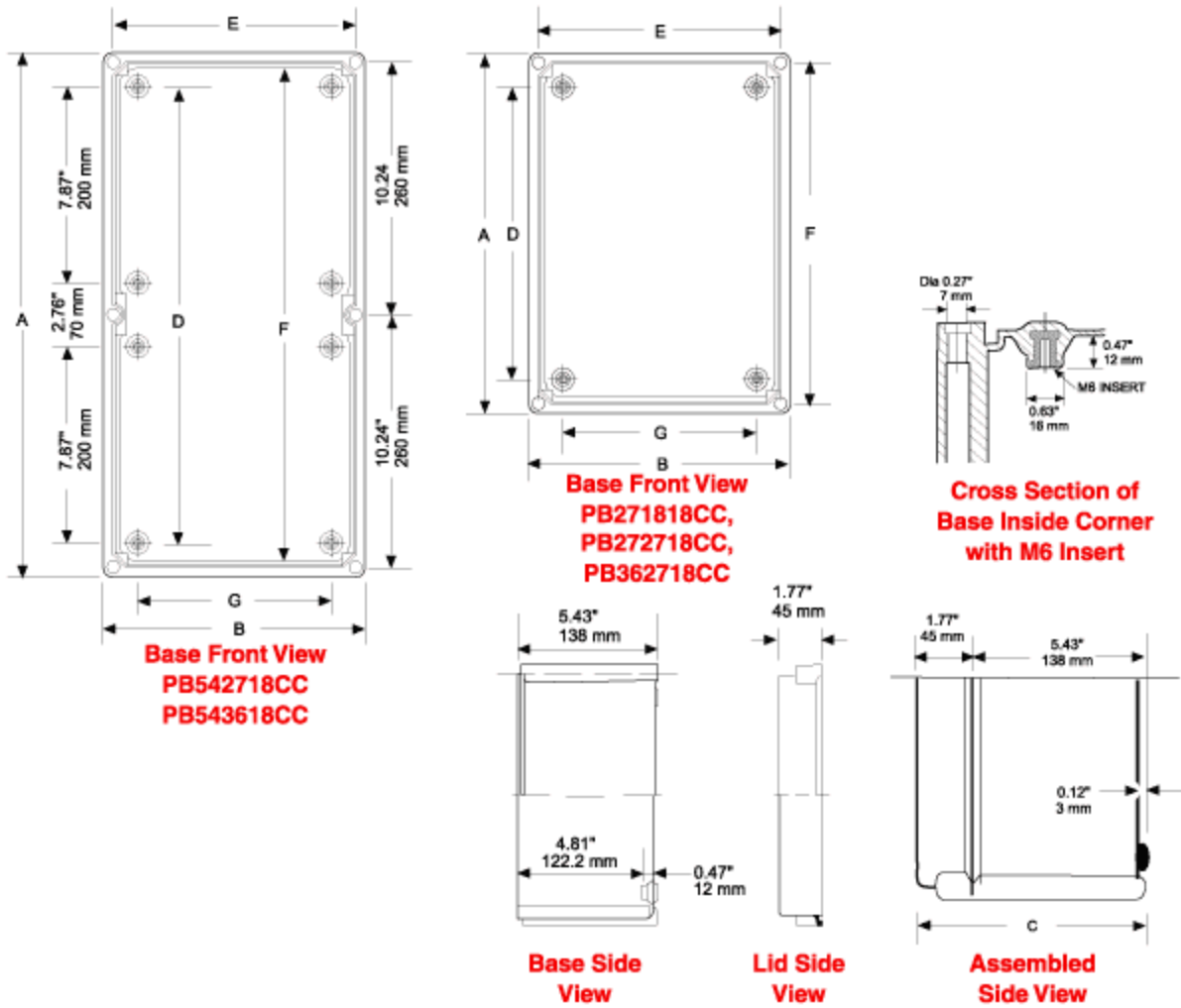
- Base is constructed of hot molded fiberglass reinforced polyester and has a clear polycarbonate lid.
- Self-extinguishing materials.
- Sealable slotted screws are provided to close the enclosure.
- M6 screws are provided for attaching inner panels or other equipment.
- Fully gasketed lids.
- Operating temperatures between -30°C and 120°C (-22°F to 248°F).
- Dielectric rigidity > 5kV insulating resistance > 5 MW.

Finish

- Fiberglass polyester base is finished in RAL 7032 beige.
- Optional inner panels are available in white powder coated finished steel or unfinished aluminum.

Accesorios

- Inner Panels
- Mounting Feet
- External Hinges
- Replacement Screws



Part No.	Overall Dimensions							Opt. Inner Panel	Inner Panel Dimensions	Ship Wt. lbs
	A	B	C	D	E	F	G			
PB271818CC	10.60	7.10	7.10	7.90	6.30	9.80	4.30	PBP2718	9.06 x 5.51	3
PB272718CC	10.60	10.60	7.10	7.90	9.80	9.80	7.90	PBP2727	9.06 x 9.06	4
PB362718CC	14.20	10.60	7.10	11.40	9.80	13.30	7.90	PBP3627	12.60 x 9.06	4
PB542718CC	21.30	10.60	7.10	18.50	9.80	20.40	7.90	PBP5427	19.69 x 9.06	6
PB543618CC	21.30	14.20	7.10	18.50	13.30	20.40	11.40	PBP5436	19.69 x 12.60	10

Datos sujetos a cambios sin previo aviso.

© 2026. Hammond Manufacturing Ltd. Todos los derechos reservados.