

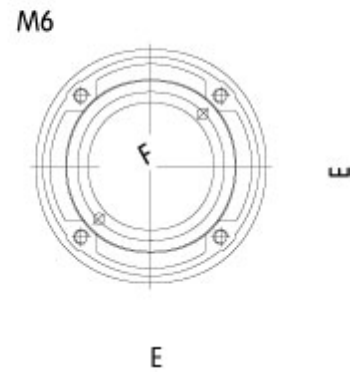
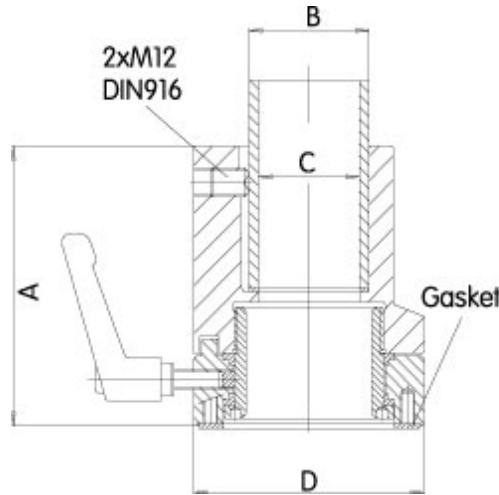


Productos de calidad. Excelencia en el servicio.

Heavy Duty Enclosure Coupling *HDSSEC Serie*



- Cast aluminum.
- Large thrust flange.
- Fastens with 4 hex socket screws.
- Adjustable torque resistance.
- Features a rotation range of 300°.



Part No.	System	A	B	C	D	E	F
R147-025-000R	50	115	50	42	96	58	52
R147-025-200R	80	145	80	72	139	87	85

Tags: HDSS, enclosure coupling, heavy duty, suspension, operator, thrust flange

Datos sujetos a cambios sin previo aviso

© 2026. Hammond Manufacturing Ltd. Todos los derechos reservados.