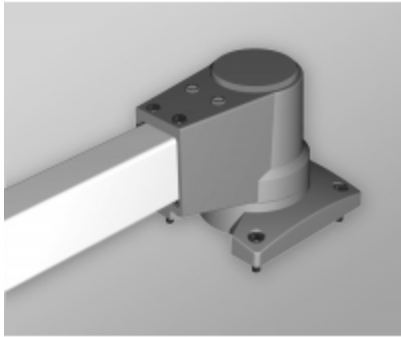


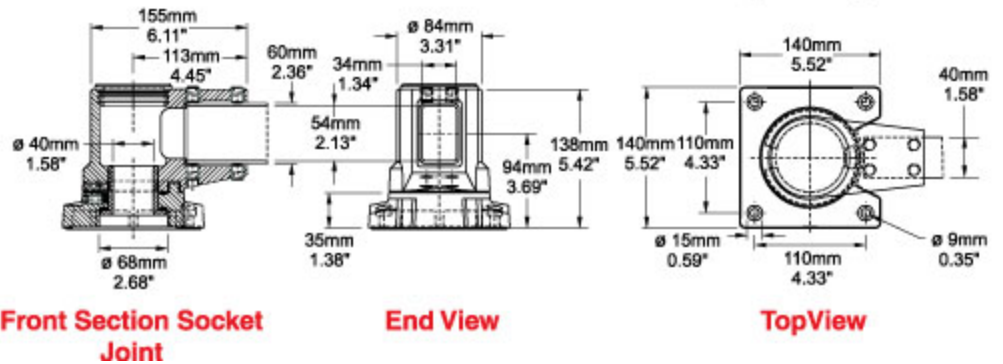
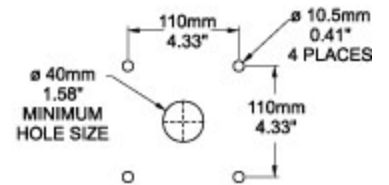
## Tara Plus Socket Joint *TPSSSJ Serie*



- Accepts 60x40mm rectangular tube parallel to its mounting surface.
- Die-cast Aluminum G Al Si 12.
- Integrated movement stop.
- Service free bearings.
- Rotates 300°.
- Adjustment screws (red screws).
- Accessible from the top.



### Hole Pattern



Part No. **R149-005-000**

Tags: TPSS, tara plus, taraplus, suspension system, socket, joint, rectangular, operator

*Datos sujetos a cambios sin previo aviso.*