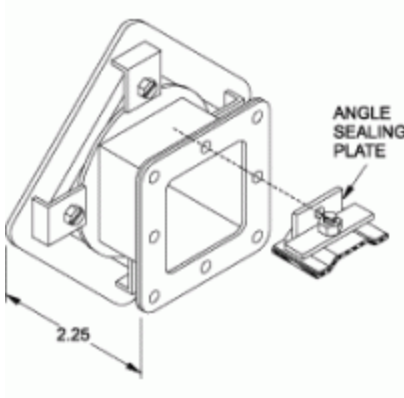


## Swivel Nipple 1485 V Series



Box Entry Swivel Nipple	Standard Swivel Nipple	
Part No.	Part No.	Size
1485BV1 <sup>1</sup>	1485BV2 <sup>2</sup>	2.5 x 2.5
1485CV1 <sup>1</sup>	1485CV2 <sup>2</sup>	4 x 4
1485DV1 <sup>1</sup>	1485DV2 <sup>2</sup>	6 x 6
1485EV1 <sup>1</sup>	1485EV2 <sup>2</sup>	8 x 8

<sup>1</sup> One angle sealing plate included

<sup>2</sup> Two angle sealing plates included



Tags: nipple, swivel nipple, adjustable, wireway, 1485 *Datos sujetos a cambios sin previo aviso.*