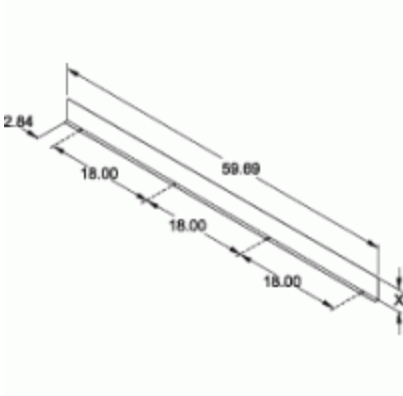


## Barrier Kit 1487 B Series



- Divides wireway into two or more compartments. Barriers are fastened to wireway sections with screws.

Part No.	For use with	Length	H
1487CB60	4 x 4	59.69	3.72
1487DB60	6 x 6	59.69	5.72
1487EB60	8 x 8	59.69	7.72

Does not meet CSA or UL requirements

Tags: barrier, 1487, wireway, compartment, section, partition

*Datos sujetos a cambios sin previo aviso.*

