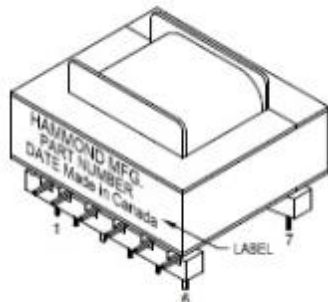




Productos de calidad. Excelencia en el servicio.

## Studio Grade Impedance Matching Transformers PC 1140-PC Serie

### Features



- Designed with Nickel alloy cores for high performance and Wide Bandwidth
- Frequency Response: 20 Hz – 20 kHz  $\pm 0.35$  dB, (ref. @ 1 kHz)
- Low distortion at levels up to +27 dBu @ 20 Hz.



### PC Mount Transformers

| Part No.    | Impedance Ratio | Turns Ratio | Max Input @ 20Hz | THD @ 20Hz | Frequency Response 20Hz / 20kHz |
|-------------|-----------------|-------------|------------------|------------|---------------------------------|
| 1140-LU-BPC | 600:600         | 1:1         | +21 dBu          | 0.002%     | -0.20 db / +0.03 db             |
| 1140-LU-CPC | 600:600         | 1:1         | +18 dBu          | 0.001%     | -0.5 db / +0.02 db              |
| 1140-LU-DPC | 600:600         | 1:1         | -24 dBu          | 0.001%     | -0.18 db / +0.03 db             |
| 1140-LU-EPC | 600:600         | 1:1         | +22 dBu          | 0.007%     | -0.03 db / +0.02 db             |
| 1140-LU-FPC | 600:600         | 1:1         | +27 dBu          | 0.007%     | -0.001 db / +0.007 db           |
| 1140-LU-GPC | 600:600         | 1:1         | +27 dBu          | 0.01%      | -0.02 db / +0.02 db             |

Tags: audio transformer, studio grade, mu metal, nickel core, distortion, shielding, output, input, microphone, splitter, line, direct box *Datos sujetos a cambios sin previo aviso*

© 2026. Hammond Manufacturing Ltd. Todos los derechos reservados.