



Tube Driver - Interstage 124 Serie

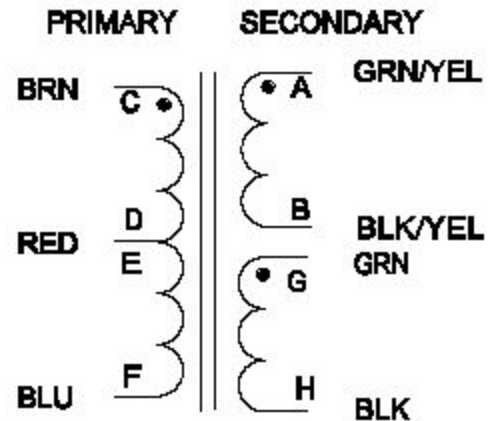
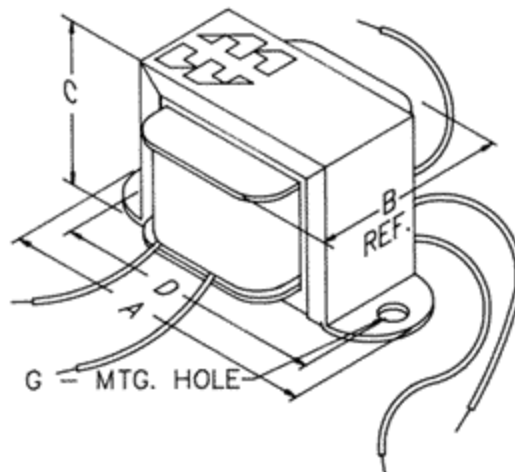
Features



- Designed for general purpose or replacement use in push-pull or phase inverter tube driver circuits.
- Should not be used for single ended applications. They have no gap for DC bias current present in SE mode.
- Open style with minimum 5" long primary leads.
- Minimum frequency response 150 Hz. - 15 kHz (+1 /- 3db) @1 kHz.
- Our part number **124B** is the same as our **124A** except for 49% Nickel laminations for greater fidelity.
- Our part number **124C** (below) is the COIL ONLY (for those experimenters who want to use their own "iron").
- If you are looking to replace Radiola III-A audio transformers, check out our **universal radiola replacement unit**.

Hookup Data

- For Parallel connected operation (33.8K Ohm Secondary):
 - Connect the GRN/YEL wire to the GRN wire AND the BLK/YEL wire to the BLK wire.
- For Series connected operation (135K Ohm Secondary):
 - Connect the BLK/YEL wire to the GRN (this becomes the center tap) - GRN/YEL and BLK wires are the output.



Part No.	Audio Watts	Primary		Secondary		Winding	Laminatio ns	Dimensions				G Mtg Hole
		Impedanc e (Ohms)	Resistanc e (Ohms)	Impedanc e (Ohms)	Resistanc e (Ohms)			A	B	C	D	
124A	5	10K	403	90K C.T.	1524	C.T.	Grain Oriented	2.38	1.35	1.43	2.00	0.19

Part No.	Audio Watts	Primary		Secondary		Winding	Laminatio ns	Dimensions				G Mtg Hole
		Impedanc e (Ohms)	Resistanc e (Ohms)	Impedanc e (Ohms)	Resistanc e (Ohms)			A	B	C	D	
124B	5	10K	403	90K C.T.	1500	C.T.	49% Nickel Steel	2.38	1.35	1.43	2.00	0.19
124C	5	10K	403	90K C.T.	1524	C.T.	None-Coil Only	-	-	-	-	-
124D	5	7K C.T.	454	15.8K C.T.	681	C.T.	Grain Oriented Steel	2.81	1.46	1.68	2.38	0.19
124E	5	15K C.T.	728	33.8K/135 K	3880	Dual	Grain Oriented Steel	2.88	1.74	2.37	2.38	0.19
124F	5	15K C.T.	900	3.75K / 15K	899.6	Dual	Grain Oriented Steel	2.88	1.75	2.37	2.38	0.19

Tags: **audio transformer, tube audio, valve audio, interstage, tube driver, push pull, phase inverter**

Datos sujetos a cambios sin previo aviso.

© 2026. Hammond Manufacturing Ltd. Todos los derechos reservados.