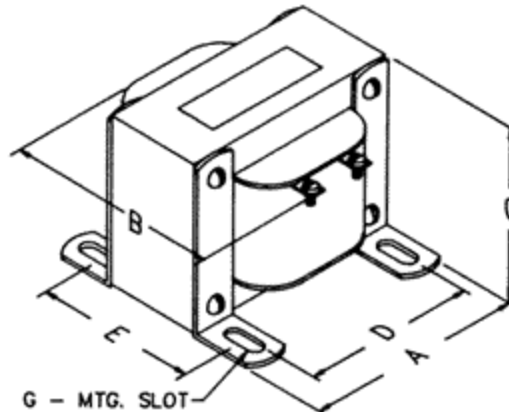


## Heavy Current Chassis Mount *195-196 Serie*

### Features



- Open core & coil, 4-slot bracket mounting chokes
- Tolerance of 15% on both inductance & resistance
- Storage: -40C to 105C temperature range
- Operating: -40C to 85C temperature range
- Inductances measured at rated D.C. current
- The "195" series is single coil
- The "196" series is dual coil - allowing more versatility
- Recommended maximum operating voltage 600 VAC (winding to core)
- Hipot tested at 2,500 VAC
- Connections are made to a screw terminal or heavy copper tabs with holes
- Perfect for high current power supply filtering
- All chokes are UL approved under **Type 3AH**, E207860, 30V7
- For AC applications 60 Hz to 10,000 Hz try our **197 Series**



### 195 Series

| Part No. | Inductance<br>mH<br>(Millihenries) | D.C.<br>Current<br>(Amps) | Insulation<br>Class | Dimensions |      |      |      |      | Mounting Slot |   | Weight<br>(lbs.) |      |
|----------|------------------------------------|---------------------------|---------------------|------------|------|------|------|------|---------------|---|------------------|------|
|          |                                    |                           |                     | A          | B    | C    | D    | E    | G             |   |                  |      |
| 195A200  | 0.3                                | 200                       | -                   | 7.50       | 7.00 | 6.50 | 6.00 | 5.25 | 0.28          | x | 0.56             | 46   |
| 195A300  | 0.1                                | 300                       | B                   | 7.50       | 7.00 | 6.38 | 6.00 | 5.25 | 0.37          | x | 1.00             | 46   |
| 195B100  | 0.5                                | 100                       | -                   | 6.38       | 6.25 | 5.38 | 5.25 | 4.13 | 0.28          | x | 0.56             | 31   |
| 195B150  | 0.5                                | 150                       | B                   | 5.25       | 5.50 | 4.47 | 4.38 | 4.13 | 0.28          | x | 0.56             | 26   |
| 195C20   | 1                                  | 20                        | A                   | 3.00       | 3.06 | 2.50 | 2.50 | 2.25 | 0.20          | x | 0.38             | 3    |
| 195C30   | 1                                  | 30                        | A                   | 3.75       | 3.85 | 3.13 | 3.13 | 2.50 | 0.20          | x | 0.38             | 6    |
| 195C50   | 1                                  | 50                        | A                   | 4.50       | 5.25 | 3.75 | 3.75 | 3.50 | 0.20          | x | 0.38             | 14.5 |
| 195C75   | 1                                  | 75                        | A                   | 5.25       | 6.00 | 4.47 | 4.38 | 4.63 | 0.28          | x | 0.56             | 23   |
| 195C100  | 1                                  | 100                       | B                   | 5.25       | 6.50 | 4.47 | 4.38 | 5.13 | 0.28          | x | 0.56             | 26   |
| 195D50   | 1.4                                | 50                        | -                   | 6.38       | 5.50 | 5.38 | 5.25 | 3.88 | 0.28          | x | 0.56             | 28   |

| Part No. | Inductance<br>mH<br>(Millihenri) | D.C.<br>Current<br>(Amps) | Insulation<br>Class | Dimensions |      |      |      |      | Mounting Slot |   | Weight<br>(lbs.) |      |
|----------|----------------------------------|---------------------------|---------------------|------------|------|------|------|------|---------------|---|------------------|------|
|          |                                  |                           |                     | A          | B    | C    | D    | E    | G             |   |                  |      |
| 195E20   | 2.5                              | 20                        | A                   | 3.75       | 4.20 | 3.13 | 3.13 | 2.75 | 0.20          | x | 0.38             | 6.5  |
| 195E30   | 2.5                              | 30                        | A                   | 4.50       | 5.25 | 3.75 | 3.75 | 3.50 | 0.20          | x | 0.38             | 12.5 |
| 195E50   | 2.5                              | 50                        | A                   | 5.25       | 6.00 | 4.47 | 4.38 | 4.63 | 0.28          | x | 0.56             | 23.5 |
| 195E75   | 2.5                              | 75                        | B                   | 6.00       | 6.63 | 5.16 | 5.00 | 4.88 | 0.28          | x | 0.56             | 32.5 |
| 195E100  | 2.5                              | 100                       | B                   | 9.00       | 9.75 | 7.50 | 7.00 | 6.00 | 0.44          | x | 0.75             | 88   |
| 195F30   | 4                                | 30                        | -                   | 6.38       | 5.00 | 5.38 | 5.25 | 3.25 | 0.28          | x | 0.56             | 23   |
| 195G10   | 5                                | 10                        | A                   | 3.75       | 3.60 | 3.13 | 3.13 | 2.25 | 0.20          | x | 0.38             | 5.5  |
| 195G20   | 5                                | 20                        | A                   | 4.50       | 4.75 | 3.75 | 3.75 | 3.00 | 0.20          | x | 0.38             | 10.5 |
| 195G25   | 5                                | 25                        | -                   | 5.25       | 6.00 | 4.44 | 4.38 | 3.63 | 0.28          | x | 0.56             | 18   |
| 195G30   | 5                                | 30                        | A                   | 5.25       | 5.00 | 4.47 | 4.38 | 3.63 | 0.28          | x | 0.56             | 16   |
| 195G50   | 5                                | 50                        | B                   | 7.50       | 6.50 | 6.25 | 6.00 | 4.50 | 0.38          | x | 0.63             | 38   |
| 195G75   | 5                                | 75                        | B                   | 9.00       | 9.50 | 7.76 | 7.00 | 7.00 | 0.44          | x | 0.75             | 87   |
| 195H20   | 7                                | 20                        | -                   | 5.25       | 6.00 | 4.44 | 4.38 | 3.63 | 0.28          | x | 0.56             | 17   |
| 195J10   | 10                               | 10                        | A                   | 3.75       | 4.35 | 3.13 | 3.13 | 3.00 | 0.20          | x | 0.38             | 8    |
| 195J12   | 10                               | 12.5                      | B                   | 4.12       | 3.25 | 3.44 | 3.44 | 2.34 | 0.20          | x | 0.38             | -    |
| 195J20   | 10                               | 20                        | A                   | 5.25       | 5.00 | 4.47 | 4.38 | 3.63 | 0.28          | x | 0.56             | 17.5 |
| 195J30   | 10                               | 30                        | A                   | 6.00       | 7.50 | 5.00 | 5.00 | 5.88 | 0.31          | x | 0.50             | 36   |
| 195J50   | 10                               | 50                        | B                   | 9.00       | 9.75 | 7.50 | 7.00 | 6.25 | 0.44          | x | 0.75             | 79   |
| 195K12   | 15                               | 12                        | -                   | 5.25       | 5.50 | 4.44 | 4.38 | 3.13 | 0.28          | x | 0.56             | 14   |
| 195K16   | 15                               | 16                        | -                   | 5.25       | 6.00 | 4.44 | 4.38 | 3.63 | 0.28          | x | 0.56             | 17   |
| 195M10   | 20                               | 10                        | A                   | 4.50       | 4.75 | 3.75 | 3.75 | 3.00 | 0.20          | x | 0.38             | 10.2 |
| 195M20   | 20                               | 20                        | A                   | 6.00       | 7.50 | 5.00 | 5.00 | 5.88 | 0.31          | x | 0.50             | 34   |
| 195M30   | 20                               | 30                        | B                   | 6.00       | 7.63 | 5.16 | 5.00 | 5.88 | 0.28          | x | 0.56             | 41   |
| 195P5    | 30                               | 5                         | A                   | 3.75       | 4.20 | 3.13 | 3.13 | 2.75 | 0.20          | x | 0.38             | 6.5  |
| 195P8    | 30                               | 8                         | -                   | 4.12       | 3.75 | 3.50 | 3.43 | 3.00 | 0.20          | x | 0.38             | -    |
| 195P10   | 30                               | 10                        | A                   | 4.50       | 5.25 | 3.75 | 3.75 | 3.50 | 0.20          | x | 0.38             | 16   |
| 195P20   | 30                               | 20                        | B                   | 5.25       | 6.91 | 4.47 | 4.38 | 5.54 | 0.28          | x | 0.56             | 28   |
| 195Q2    | 35                               | 2                         | B                   | 2.63       | 2.00 | 2.21 | 2.19 | 1.75 | 0.19          | x | 0.38             | -    |
| 195Q6    | 40                               | 6                         | -                   | 3.75       | 3.62 | 3.25 | 3.12 | 3.00 | 0.20          | x | 0.38             | -    |
| 195R10   | 50                               | 10                        | A                   | 5.25       | 5.50 | 4.47 | 4.38 | 4.13 | 0.28          | x | 0.56             | 26   |
| 195R20   | 50                               | 20                        | B                   | 9.00       | 8.25 | 7.50 | 7.00 | 5.75 | 0.44          | x | 0.75             | 72   |
| 195S2    | 70                               | 2                         | -                   | 3.37       | 2.75 | 2.87 | 2.81 | 2.12 | 0.20          | x | 0.38             | -    |
| 195S4    | 70                               | 4                         | -                   | 3.75       | 3.25 | 3.13 | 3.13 | 2.50 | 0.20          | x | 0.38             | -    |
| 195T1    | 100                              | 1                         | -                   | 3.00       | 2.50 | 2.50 | 2.50 | 2.00 | 0.20          | x | 0.38             | -    |
| 195T5    | 100                              | 5                         | A                   | 4.50       | 5.25 | 3.75 | 3.75 | 3.50 | 0.20          | x | 0.38             | 14   |
| 195T10   | 100                              | 10                        | B                   | 7.50       | 6.00 | 6.25 | 6.00 | 4.25 | 0.38          | x | 0.63             | 35   |

### 196 Series - Dual Coil - Heavy Current Chokes

| Part No. | Parallel<br>Connect<br>ed               | D.C.<br>Current<br>(Amps) | Series<br>Connect<br>ed                 | D.C.<br>Current<br>(Amps) | Resista<br>nce<br>(Each<br>Winding<br>) | Insulatio<br>n<br>Class | Overall Dimensions |      |      |      |      | Mounting<br>Slot |   | Weight<br>(lbs.) |      |
|----------|---|---------------------------|---|---------------------------|---|-------------------------|--------------------|------|------|------|------|------------------|---|------------------|------|
|          | Inducta<br>nce mH<br>(Millihen<br>ries) |                           | Inducta<br>nce mH<br>(Millihen<br>ries) |                           | (Ohms)                                  |                         | A                  | B    | C    | D    | E    | G                |   |                  |      |
| 196B50   | 0.125                                   | 100                       | 0.5                                     | 50                        | 0.018                                   | -                       | 4.50               | 4.50 | 3.75 | 3.75 | 3.00 | 0.28             | x | 0.56             | 8.00 |
| 196D25   | 0.3                                     | 50                        | 1.2                                     | 25                        | 0.006                                   | -                       | 3.75               | 4.25 | 3.13 | 3.13 | 2.75 | 0.28             | x | 0.56             | 6.45 |
| 196G12   | 1.2                                     | 24                        | 4.8                                     | 12                        | 0.024                                   | -                       | 3.38               | 3.56 | 2.81 | 2.81 | 3.00 | 0.20             | x | 0.38             | 6    |
| 196K6    | 3                                       | 12                        | 12                                      | 6                         | 0.052/0.056                             | -                       | 3.37               | 3.06 | 2.81 | 2.81 | 2.50 | 0.20             | x | 0.38             | 4.45 |
| 196M4    | 5                                       | 8                         | 20                                      | 4                         | 0.11                                    | -                       | 3.00               | 2.87 | 2.50 | 2.50 | 2.50 | 0.20             | x | 0.38             | 3.3  |
| 196Q2    | 10                                      | 4                         | 40                                      | 2                         | 0.24                                    | -                       | 3.12               | 2.12 | 2.75 | 2.81 | -    | 0.19             |   |                  | 1.85 |

| Part No. | Parallel<br>Connect<br>ed               | D.C.<br>Current | Series<br>Connect<br>ed                 | D.C.<br>Current | Resista<br>nce<br>(Each<br>Winding ) | Insulatio<br>n | Overall Dimensions |      |      |      |   | Mounting<br>Slot | Weight |
|----------|---|-----------------|---|-----------------|--------------------------------------|----------------|--------------------|------|------|------|---|------------------|--------|
|          | Inducta<br>nce mH<br>(Millihen<br>ries) | (Amps)          | Inducta<br>nce mH<br>(Millihen<br>ries) | (Amps)          | (Ohms)                               | Class          | A                  | B    | C    | D    | E | G                | (lbs.) |
| 196S1    | 18                                      | 2               | 72                                      | 1               | 0.553                                | -              | 2.00               | 2.00 | 2.31 | 2.38 | - | 0.19             | 1.4    |

Tags: **choke, heavy current, chassis mount, open core, single coil, double coil**

*Datos sujetos a cambios sin previo aviso.*

© 2026. Hammond Manufacturing Ltd. Todos los derechos reservados.