



*Productos de calidad. Excelencia en el servicio.*

## Step-Up (115VAC to 230VAC) 176 Serie

Plug-In



### Features

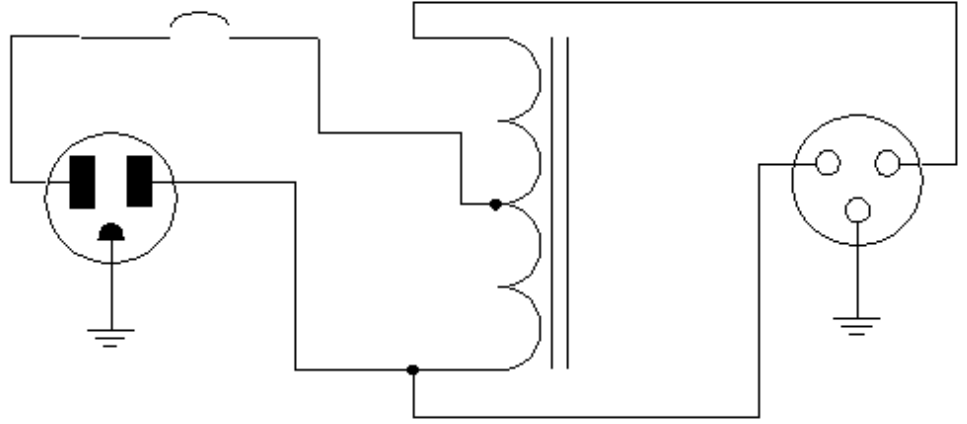
- Single winding, does not provide isolation, for use where equipment is already isolated and only voltage change is required.
- World wide applications, 50 or 60 Hz. operation, step up (115VAC to 230VAC).
- Input is circuit breaker protected.
- Hi-pot tested to 2 KV RMS
- Input is connected to a 5 foot cord & standard grounded North American plug (NEMA 5-15P)
- Output - Due to U.L changes in 2007 - NEW production with the European (Shuko) parts would no longer be U.L. listed. Therefore, we replaced this output receptacle with a one foot long "pig tail" cord with a standard North American 3-wire, 250V receptacle (NEMA 6 15R) for any production after the first part of 2008.
  - Receptacles have North American pins. See our **298G adaptor series** for international pinout adaptor plugs.
- North American Mark of Safety - C UL & UL listed (File #E211544).
- Indoor use only.
- Remember - These units do NOT convert line frequency

### Galería



### Accesorios

- International Grounded Adaptor Plugs



Part No.	Capacity	Overall Dimensions					Wt. Lbs.
	VA	A	B	C	D	E	
176A	100	3.16	4.25	3.81	2.50	2.94	3.5
176B	200	3.16	4.50	3.81	2.50	3.19	4.5
176C	300	3.16	5.00	3.81	2.50	3.69	6
176D	500	3.80	6.00	4.68	3.00	4.38	10
176E	750	3.80	7.06	4.68	3.00	5.38	14
176F	1000	3.80	7.06	4.68	3.00	5.38	14.5
176G	1500	4.40	6.63	5.39	3.50	6.09	22

Tags: isolation, step up, plug in, voltage change, circuit breaker

*Datos sujetos a cambios sin previo aviso*

© 2026. Hammond Manufacturing Ltd. Todos los derechos reservados.