

Modular Freestanding



Modular Freestanding Enclosures

Modular Freestanding



Modular Freestanding Enclosures -
HME Series Single Door Enclosure
NEMA 12 **185**



Modular Freestanding Enclosures -
HMET Series Double Door Enclosure
NEMA 12 **187**



Modular Freestanding Enclosures -
HFMD/HFMDT Series Disconnect Enclosure
NEMA 12 **189**

Modular Freestanding Enclosures -
HME Accessories **191-204**

Modular Freestanding Enclosures - NEMA 12

HME Series Single Door Enclosure

Modular Freestanding



**Inner
Panel
Included**

**Side
Panels
Sold
Separately**

Single Door Enclosures

Application

- The HME product line provides users with a rugged housing for industrial control and operator interface in industrial environments.
- Modular design permits joining of units together for large scale and mixed use applications.
- Frame's 25mm hole pattern provides extensive component and accessory mounting flexibility.
- A broad range of industry standard sizes are offered.

Standards

- UL 508 Type 12
- CSA Type 12
- **Complies with**
 - NEMA Type 12
 - IEC 60529 IP54

Configuration

- Frame
- Removable solid top panel
- Lifting eyebolts (4)
- Removable bottom panel w/gland plates
- Solid front door with door frame
- Removable rear cover panel
- Inner mounting panel

Construction

- Formed 14 gauge steel.
- Fully welded frame with 25mm hole pattern for superior mounting flexibility.
- Seamless foam in place gasket.
- Reinforced eyebolts are provided for easy enclosure lifting.
- Frames can be joined together with an optional joining kit.
- Doors can be easily interchanged, removed and/or reversed.
- Door opening 135°.
- Optional formed 14 gauge steel side panels are sold separately (in pairs).
- Bonding and grounding studs are provided for all doors and panels.

Finish

- Phosphatized and finished in RAL 7035 light gray powder coating.
- Inner panel is unpainted galvanized 12 gauge steel.

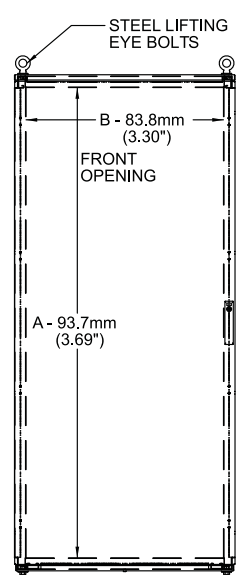
Accessories

- 19" mounting rails...see page **202**
- Casters...see page **194**
- Cooling - ACs...see page **349-367**
- Cooling - fans...see page **371-384**
- Door shelf...see page **200**
- Frame joining kit...see page **192**
- Grid mounting system
...see page **195-196**
- Grid system hardware
...see page **203**
- Ground kits...see page **203**
- Handles and inserts...see page **204**
- Interlock system...see page **202**
- Leveling feet...see page **191**
- Lifting angles...see page **194**
- Light kit and accessories
...see page **452**
- Literature pocket...see page **456**
- Panel - Bridge...see page **200**
- Panel - Barrier...see page **199**
- Swing Panel...see page **200**
- Swing Frame...see page **201**
- Plinth...see page **191**
- Side panels...see page **192**
- Tamper resistant screws
...see page **192**
- Top mount cable module
...see page **194**
- Window door...see page **193**

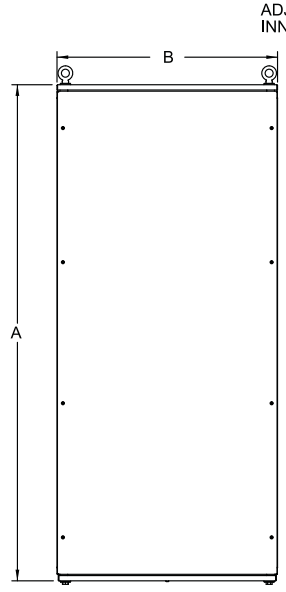
Modular Freestanding Enclosures - NEMA 12

HME Series Single Door Enclosure

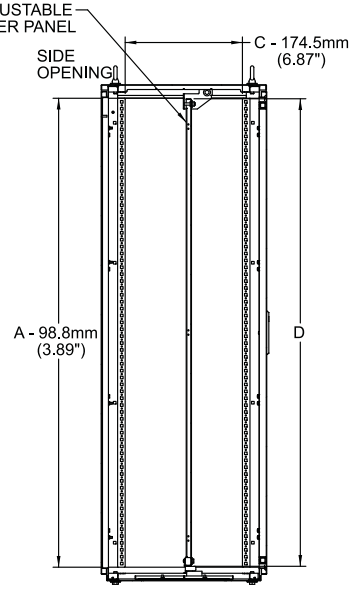
Modular Freestanding



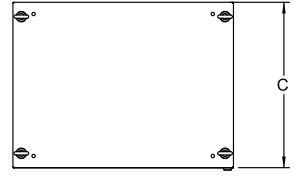
Front View



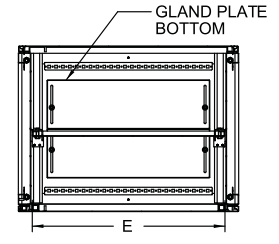
Rear View



**Side View
Cross Section**



Top View



**Bottom View
Cross Section**

Part Number	Overall Dimensions			Panel Dimensions		
	A	B	C	D	E	
HME1465	mm	1400	600	500	1296	499
	inch	55.12	23.62	19.69	51.03	19.65
HME1466	mm	1400	600	600	1296	499
	inch	55.12	23.62	23.62	51.03	19.65
HME1468	mm	1400	600	800	1296	499
	inch	55.12	23.62	31.5	51.03	19.65
HME1485	mm	1400	800	500	1296	699
	inch	55.12	31.5	19.69	51.03	27.52
HME1486	mm	1400	800	600	1296	699
	inch	55.12	31.5	23.62	51.03	27.52
HME1488	mm	1400	800	800	1296	699
	inch	55.12	31.5	31.5	51.03	27.52
HME1665	mm	1600	600	500	1496	499
	inch	62.99	23.62	19.69	58.9	19.65
HME1666	mm	1600	600	600	1496	499
	inch	62.99	23.62	23.62	58.9	19.65
HME1668	mm	1600	600	800	1496	499
	inch	62.99	23.62	31.5	58.9	19.65
HME1685	mm	1600	800	500	1496	699
	inch	62.99	31.5	19.69	58.9	27.52
HME1686	mm	1600	800	600	1496	699
	inch	62.99	31.5	23.62	58.9	27.52
HME1688	mm	1600	800	800	1496	699
	inch	62.99	31.5	31.5	58.9	27.52
HME1864	mm	1800	600	400	1696	499
	inch	70.87	23.62	15.75	66.77	19.65
HME1865	mm	1800	600	500	1696	499
	inch	70.87	23.62	19.69	66.77	19.65
HME1866	mm	1800	600	600	1696	499
	inch	70.87	23.62	23.62	66.77	19.65
HME1868	mm	1800	600	800	1696	499
	inch	70.87	23.62	31.5	66.77	19.65
HME1884	mm	1800	800	400	1696	699
	inch	70.87	31.5	15.75	66.77	27.52
HME1885	mm	1800	800	500	1696	699
	inch	70.87	31.5	19.69	66.77	27.52
HME1886	mm	1800	800	600	1696	699
	inch	70.87	31.5	23.62	66.77	27.52
HME1888	mm	1800	800	800	1696	699
	inch	70.87	31.5	31.5	66.77	27.52
HME18104	mm	1800	1000	400	1696	899
	inch	70.87	39.37	15.75	66.77	35.4
HME18105	mm	1800	1000	500	1696	899
	inch	70.87	39.37	19.69	66.77	35.4

Part Number	Overall Dimensions			Panel Dimensions		
	A	B	C	D	E	
HME18106	mm	1800	1000	600	1696	899
	inch	70.87	39.37	23.62	66.77	35.4
HME18108	mm	1800	1000	800	1696	899
	inch	70.87	39.37	31.5	66.77	35.4
HME2045	mm	2000	400	500	1896	299
	inch	78.74	15.75	19.69	74.65	11.77
HME2064	mm	2000	600	400	1896	499
	inch	78.74	23.62	15.75	74.65	19.65
HME2065	mm	2000	600	500	1896	499
	inch	78.74	23.62	19.69	74.65	19.65
HME2066	mm	2000	600	600	1896	499
	inch	78.74	23.62	23.62	74.65	19.65
HME2068	mm	2000	600	800	1896	499
	inch	78.74	23.62	31.5	74.65	19.65
HME2084	mm	2000	800	400	1896	699
	inch	78.74	31.5	15.75	74.65	27.52
HME2085	mm	2000	800	500	1896	699
	inch	78.74	31.5	19.69	74.65	27.52
HME2086	mm	2000	800	600	1896	699
	inch	78.74	31.5	23.62	74.65	27.52
HME2088	mm	2000	800	800	1896	699
	inch	78.74	31.5	31.5	74.65	27.52
HME20106	mm	2000	1000	600	1896	899
	inch	78.74	39.37	23.62	74.65	35.4
HME20108	mm	2000	1000	800	1896	899
	inch	78.74	39.37	31.5	74.65	35.4
HME2246	mm	2200	400	600	2096	299
	inch	86.62	15.75	23.62	82.52	11.77
HME2265	mm	2200	600	500	2096	499
	inch	86.62	23.62	19.69	82.52	19.65
HME2266	mm	2200	600	600	2096	499
	inch	86.62	23.62	23.62	82.52	19.65
HME2285	mm	2200	800	500	2096	699
	inch	86.62	31.5	19.69	82.52	27.52
HME2286	mm	2200	800	600	2096	699
	inch	86.62	31.5	23.62	82.52	27.52
HME2288	mm	2200	800	800	2096	699
	inch	86.62	31.5	31.5	82.52	27.52
HME22105	mm	2200	1000	500	2096	899
	inch	86.62	39.37	19.69	82.52	35.4
HME22106	mm	2200	1000	600	2096	899
	inch	86.62	39.37	23.62	82.52	35.4

Single Door Enclosures

Technical references and CAD downloads available at www.hammondmfg.com

All dimensions in inches unless specified otherwise

Quality Products. Service Excellence.

Modular Freestanding Enclosures - NEMA 12

HMET Series Double Door Enclosure

Modular Freestanding



**Inner
Panel
Included**

**Side
Panels
Sold
Separately**

Double Door Enclosures

Application

- The HMET 2 door product line provides users with a rugged housing for industrial control and operator interface in industrial environments.
- Modular design permits joining of units together for large scale and mixed use applications.
- Frame's 25mm hole pattern provides extensive component and accessory mounting flexibility.
- A broad range of industry standard sizes are offered.

Standards

- UL 508 Type 12
- CSA Type 12
- **Complies with**
 - NEMA Type 12
 - IEC 60529 IP54

Configuration

- Frame
- Removable solid top panel
- Lifting eyebolts (4)
- Removable bottom panel w/gland plates
- Two overlapping solid front doors with door frames
- Two removable rear cover panels with removable rear center post
- Full width inner mounting panel

Construction

- Formed 14 gauge steel.
- Fully welded frame with 25mm hole pattern for superior mounting flexibility.
- Seamless foam in place gasket.
- Reinforced eyebolts are provided for easy enclosure lifting.
- Frames can be joined together with an optional joining kit.
- Doors can be easily interchanged, removed and/or reversed.
- Door opening 135°.
- Optional formed 14 gauge steel side panels are sold separately (in pairs).
- Bonding and grounding studs are provided for all doors and panels.

Finish

- Phosphatized and finished in RAL 7035 light gray powder coating.
- Inner panel is unpainted galvanized 12 gauge steel.

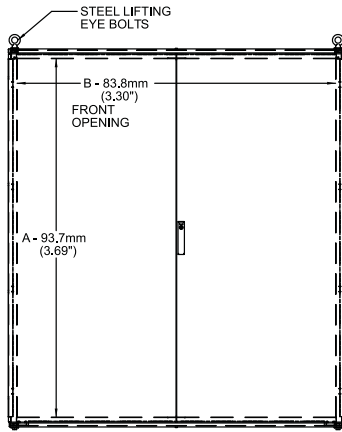
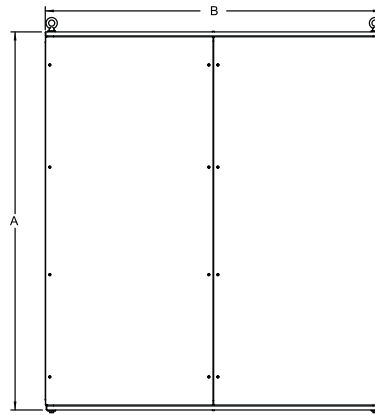
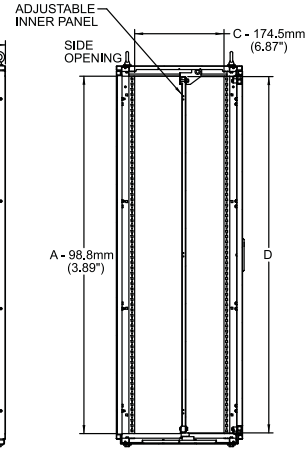
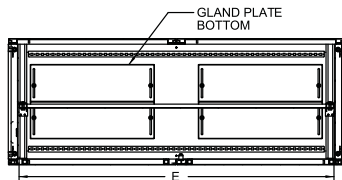
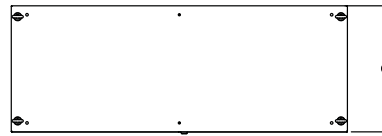
Accessories

- 19" mounting rails...*see page 202*
- Casters...*see page 194*
- Cooling - ACs...*see page 349-367*
- Cooling - fans...*see page 371-384*
- Door shelf...*see page 200*
- Frame joining kit...*see page 192*
- Grid mounting system
...*see page 195-196*
- Grid system hardware
...*see page 203*
- Ground kits...*see page 203*
- Handles and inserts...*see page 204*
- Interlock system...*see page 202*
- Leveling feet...*see page 191*
- Lifting angles...*see page 194*
- Light kit and accessories
...*see page 452*
- Literature pocket...*see page 456*
- Panel - Bridge...*see page 200*
- Panel - Barrier...*see page 199*
- Plinth...*see page 191*
- Side panels...*see page 192*
- Tamper resistant screws
...*see page 192*
- Top mount cable module
...*see page 194*

Modular Freestanding Enclosures - NEMA 12

HMET Series Double Door Enclosure

Modular Freestanding


Front View

Rear View

Side View Cross Section

Bottom View Cross Section

Top View

Double Door Enclosures

Part Number	Overall Dimensions			Panel Dimensions		
	A	B	C	D	E	
HMET14125	mm	1400	1200	500	1296	1099
	inch	55.12	47.25	19.69	51.03	43.27
HMET14126	mm	1400	1200	600	1296	1099
	inch	55.12	47.25	23.62	51.03	43.27
HMET14128	mm	1400	1200	800	1296	1099
	inch	55.12	47.25	31.50	51.03	43.27
HMET16125	mm	1600	1200	500	1496	1099
	inch	62.99	47.25	19.69	58.90	43.27
HMET16126	mm	1600	1200	600	1496	1099
	inch	62.99	47.25	23.62	58.90	43.27
HMET16128	mm	1600	1200	800	1496	1099
	inch	62.99	47.25	31.50	58.90	43.27
HMET1886	mm	1800	800	600	1696	699
	inch	70.87	31.50	23.62	66.77	27.52
HMET1885	mm	1800	800	500	1696	699
	inch	70.87	31.50	19.69	66.77	27.52
HMET18104	mm	1800	1000	400	1696	899
	inch	70.87	39.37	15.75	66.77	35.40
HMET18124	mm	1800	1200	400	1696	1099
	inch	70.87	47.25	15.75	66.77	43.27
HMET18125	mm	1800	1200	500	1696	1099
	inch	70.87	47.25	19.69	66.77	43.27
HMET18126	mm	1800	1200	600	1696	1099
	inch	70.87	47.25	23.62	66.77	43.27
HMET18128	mm	1800	1200	800	1696	1099
	inch	70.87	47.25	31.50	66.77	43.27
HMET18164	mm	1800	1600	400	1696	1499
	inch	70.87	62.99	15.75	66.77	59.02
HMET18165	mm	1800	1600	500	1696	1499
	inch	70.87	62.99	19.69	66.77	59.02
HMET18166	mm	1800	1600	600	1696	1499
	inch	70.87	62.99	23.62	66.77	59.02
HMET18168	mm	1800	1600	800	1696	1499
	inch	70.87	62.99	31.50	66.77	59.02
HMET18184	mm	1800	1800	400	1696	1699
	inch	70.87	70.87	15.75	66.77	66.89

Part Number	Overall Dimensions			Panel Dimensions		
	A	B	C	D	E	
HMET18185	mm	1800	1800	500	1696	1699
	inch	70.87	70.87	19.69	66.77	66.89
HMET18186	mm	1800	1800	600	1696	1699
	inch	70.87	70.87	23.62	66.77	66.89
HMET18188	mm	1800	1800	800	1696	1699
	inch	70.87	70.87	31.50	66.77	66.89
HMET20105	mm	2000	1000	500	1896	899
	inch	78.74	39.37	19.69	74.65	35.40
HMET20106	mm	2000	1000	600	1896	899
	inch	78.74	39.37	23.62	74.65	35.40
HMET20124	mm	2000	1200	400	1896	1099
	inch	78.74	47.25	15.75	74.65	43.27
HMET20125	mm	2000	1200	500	1896	1099
	inch	78.74	47.25	19.69	74.65	43.27
HMET20126	mm	2000	1200	600	1896	1099
	inch	78.74	47.25	23.62	74.65	43.27
HMET20128	mm	2000	1200	800	1896	1099
	inch	78.74	47.25	31.50	74.65	43.27
HMET20165	mm	2000	1600	500	1896	1499
	inch	78.74	62.99	19.69	74.65	59.02
HMET20166	mm	2000	1600	600	1896	1499
	inch	78.74	62.99	23.62	74.65	59.02
HMET20168	mm	2000	1600	800	1896	1499
	inch	78.74	62.99	31.50	74.65	59.02
HMET20185	mm	2000	1800	500	1896	1699
	inch	78.74	70.87	19.69	74.65	66.89
HMET20186	mm	2000	1800	600	1896	1699
	inch	78.74	70.87	23.62	74.65	66.89
HMET20188	mm	2000	1800	800	1896	1699
	inch	78.74	70.87	31.50	74.65	66.89
HMET22106	mm	2200	1000	600	2096	899
	inch	86.62	39.37	23.62	82.52	35.40
HMET22125	mm	2200	1200	500	2096	1099
	inch	86.62	47.25	19.69	82.52	43.27
HMET22126	mm	2200	1200	600	2096	1099
	inch	86.62	47.25	23.62	82.52	43.27

 Technical references and CAD downloads available at www.hammondmfg.com

All dimensions in inches unless specified otherwise

Quality Products. Service Excellence.

Modular Freestanding Enclosures - NEMA 12

HFMD/HFMDT Series Disconnect Enclosure


HFMD - 1DR

HFMDT - 2DR

- **General Electric:** Type STDA flange mounted variable depth flange operators for disconnect switches up to and including 200 amp and circuit breakers up to 600 amp or Spectra Flex™ cable operators for circuit breakers.
- **ITE Siemens Max-Flex:** flange mounted variable depth cable operators for disconnect switches up to 200 amp and circuit breakers up to 600 amp.
- **Square D:** class 9422 variable depth flange mounted operating mechanisms for disconnect switches up to and including 200 amp or cable mechanism for 30, 60 or 100 amp, also circuit breakers with variable depth operators or cable mechanism up to 400 amp.

Standards

- UL 508 Type 12
- CSA Type 12
- **Complies with**
 - NEMA Type 12
 - IEC 60529 IP54
- Appropriate components are required to maintain these standards.

Standard Configuration

- Frame
- Removable solid top panel
- Lifting eyebolts (4)
- Removable bottom panel w/gland plates
- Solid front door(s) with door frame(s).
- Removable rear cover panel(s) – two door version with removable center post
- Inner mounting panel
- Disconnect to door handle activation hardware
- Hinged flange door

Construction

- Formed 14 gauge steel.
- Fully welded frame with 25mm hole pattern for superior mounting flexibility.
- Seamless foam in place gasket.
- Reinforced eyebolts are provided for easy enclosure lifting.
- Frames can be joined together with an optional joining kit.
- Doors can be easily interchanged, removed and/or reversed.
- Door opening 135°.
- Optional formed 14 gauge steel side panels are sold separately (in pairs).
- Bonding and grounding studs are provided for all doors and panels.

Finish

- Phosphatized and finished in RAL 7035 light gray powder coating.
- Inner panel is unpainted galvanized 12 gauge steel.

Accessories

- 19" mounting rails...see page **202**
- Casters...see page **194**
- Cooling - ACs...see page **349-367**
- Cooling - fans...see page **371-384**
- Door shelf...see page **200**
- Frame joining kit...see page **192**
- Grid mounting system
...see page **195**
- Grid system hardware
...see page **203**
- Ground kits...see page **203**
- Handles and inserts...see page **204**
- Interlock system...see page **202**
- Leveling feet...see page **191**
- Lifting angles...see page **194**
- Light kit and accessories
...see page **452**
- Literature pocket...see page **456**
- Panel - Bridge...see page **200**
- Panel - Barrier...see page **199**
- Swing Panel...see page **200**
- Swing Frame...see page **201**
- Plinth...see page **191**
- Side panels...see page **192**
- Tamper resistant screws
...see page **192**
- Top mount cable module
...see page **194**

Application

- The HFMD 1 door and HFMDT 2 door product lines provides users with a rugged housing for flange mount disconnect and circuit breaker requirements.
- Modular design permits joining of units together for large scale and mixed use applications.
- Frame's 25mm hole pattern provides extensive component and accessory mounting flexibility.
- A broad range of industry standard sizes are offered.
- HME/HMET Series enclosures can be used as slave units to HFMD/HFMDT Disconnect Series.
- The flange mount disconnect units accommodate today's most popular disconnect hardware.
- **ABB Controls:** Disconnect Switches up to (and including) 200 amp, also operators for ABB circuit breakers up to 800 amp.
- **Allen Bradley:** 1494V variable depth flange mounted disconnect up to and including 200 amp and operators for C-H Westinghouse circuit breakers up to 400 amp.
- **C-H Westinghouse:** C361 flange mounted disconnect switches up to and including 200 amp and C371 circuit breakers up to 600 amp, also Flex Shaft handle mechanisms for circuit breakers.

 Technical references and CAD downloads available at www.hammondmfg.com

All dimensions in inches unless specified otherwise

Modular Freestanding Enclosures - NEMA 12

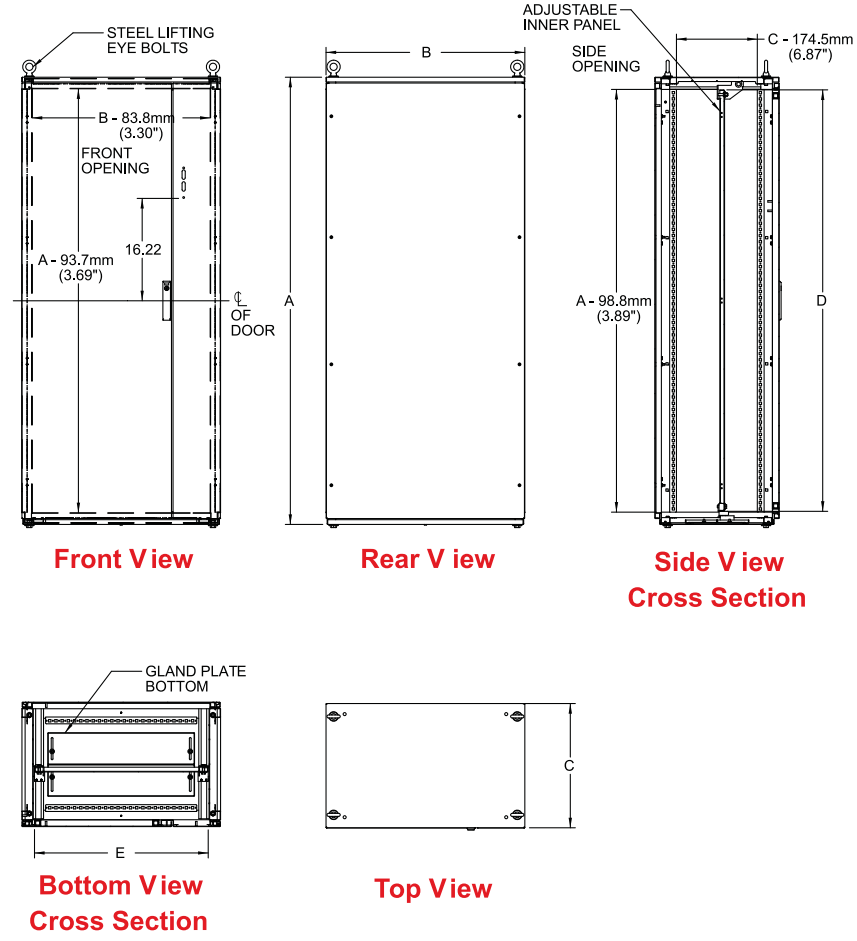
HFMD/HFMDT Series Disconnect Enclosure

Modular Freestanding



Inner Panel Included

Side Panels Sold Separately



Disconnect Enclosures

Single Door

Part Number	Overall Dimensions			Panel Dimensions		
	A	B	C	D	E	
HFMD1485	mm	1400	800	500	1296	699
	inch	55.12	31.5	19.69	51.03	27.52
HFMD14105	mm	1400	1000	500	1296	899
	inch	55.12	39.37	19.69	51.03	35.4
HFMD1685	mm	1600	800	500	1496	699
	inch	62.99	31.5	19.69	58.9	27.52
HFMD1686	mm	1600	800	600	1496	699
	inch	62.99	31.5	23.62	58.9	27.52
HFMD1884	mm	1800	800	400	1696	699
	inch	70.87	31.5	15.75	66.77	27.52
HFMD1885	mm	1800	800	500	1696	699
	inch	70.87	31.5	19.69	66.77	27.52
HFMD18105	mm	1800	1000	500	1696	899
	inch	70.87	39.37	19.69	66.77	35.4
HFMD2085	mm	2000	800	500	1896	699
	inch	78.74	31.5	19.69	74.65	27.52
HFMD2086	mm	2000	800	600	1896	699
	inch	78.74	31.5	23.62	74.65	27.52
HFMD2088	mm	2000	800	800	1896	699
	inch	78.74	31.5	31.5	74.65	27.52
HFMD20105	mm	2000	1000	500	1896	899
	inch	78.74	39.37	19.69	74.65	35.4
HFMD20106	mm	2000	1000	600	1896	899
	inch	78.74	39.37	23.62	74.65	35.4
HFMD2286	mm	2200	800	600	2096	699
	inch	86.62	31.5	23.62	82.52	27.52
HFMD22105	mm	2200	1000	500	2096	899
	inch	86.61	39.37	19.69	82.52	35.39

Double Door

Part Number	Overall Dimensions			Panel Dimensions		
	A	B	C	D	E	
HFMDT18164	mm	1800	1600	400	1696	1499
	inch	70.87	62.99	15.75	66.77	59.02
HFMDT18165	mm	1800	1600	500	1696	1499
	inch	70.87	62.99	19.69	66.77	59.02
HFMDT18184	mm	1800	1800	400	1696	1699
	inch	70.87	70.87	15.75	66.77	66.89
HFMDT18185	mm	1800	1800	500	1696	1699
	inch	70.87	70.87	19.69	66.77	66.89
HFMDT18186	mm	1800	1800	600	1696	1699
	inch	70.87	70.87	23.62	66.77	66.89
HFMDT20165	mm	2000	1600	500	1896	1499
	inch	78.74	62.99	19.69	74.65	59.02
HFMDT20166	mm	2000	1600	600	1996	1499
	inch	78.74	62.99	23.62	78.58	59.02
HFMDT20168	mm	2000	1600	800	1896	1499
	inch	78.74	62.99	31.50	74.65	59.02
HFMDT20185	mm	2000	1800	500	1896	1699
	inch	78.74	70.87	19.69	74.65	66.89

Technical references and CAD downloads available at www.hammondmfg.com

All dimensions in inches unless specified otherwise

Quality Products. Service Excellence.

Modular Freestanding Enclosures - NEMA 12

HME Accessories

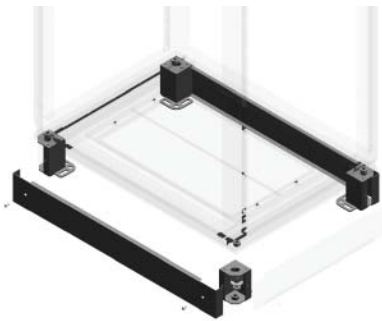
Modular Freestanding



Side Panels sold separately

Plinth

- Plinths install under enclosure for additional cable entry space and/or access
- Adds 4" (100mm) or 8" (200mm) to overall enclosure height.
- HPLW contains 4 corner supports along with corresponding front and rear panels.
- HPLD plinth side panels ordered separately to close ends.
- All panels are easily removable for quick access.
- Comes complete with all mounting hardware.
- Compatible with leveling feet or casters
- Finished in black.



Plinth Corners and Front/Back Panels

Part Number	Height (mm)	Use w/ HME Width (mm)
HPLW14	100	400
HPLW16	100	600
HPLW18	100	800
HPLW110	100	1000
HPLW112	100	1200
HPLW116	100	1600
HPLW118	100	1800
HPLW24	200	400
HPLW26	200	600
HPLW28	200	800
HPLW210	200	1000
HPLW212	200	1200
HPLW216	200	1600
HPLW218	200	1800

Plinth Side Panels (pair)

Part Number	Height (mm)	Use w/ HME Depth (mm)
HPLD14	100	400
HPLD15	100	500
HPLD16	100	600
HPLD18	100	800
HPLD24	200	400
HPLD25	200	500
HPLD26	200	600
HPLD28	200	800



HME Accessories



Leveling Feet

- Set of 4 leveling feet.
- 4 leveling feet will support a maximum of 2600 lbs static load
- 1.57" dia base
- Leveling foot adds 1.1" to overall height of cabinet when used with optional plinth. Adds 1.5" when used on cabinet frame base.

Part Number	Description
HLF4	Set of 4 feet

Technical references and CAD downloads available at www.hammondmfg.com

All dimensions in inches unless specified otherwise

Modular Freestanding Enclosures - NEMA 12

HME Accessories

Modular Freestanding



Side Panels

- Maintains UL/CSA Type 12 approvals.
- Screws fasten into frame. Optional tamper resistant screws available.
- Bond studs provided for grounding.
- Finished in RAL 7035 light gray.
- Sold in quantities of two.

Part Number	For Use with HME	
	Height (mm)	Depth (mm)
HSP145	1400	500
HSP146	1400	600
HSP148	1400	800
HSP165	1600	500
HSP166	1600	600
HSP168	1600	800
HSP184	1800	400
HSP185	1800	500
HSP186	1800	600
HSP188	1800	800
HSP204	2000	400
HSP205	2000	500
HSP206	2000	600
HSP208	2000	800
HSP225	2200	500
HSP226	2200	600
HSP228	2200	800



HME Accessories



Tamper Resistant Screws

- Replacement screws for side and rear panels.
- Provide added safety and security.
- Package consists of 8 security hex screws and 1 security hex key.
- Please see the chart below to determine how many kits to order.

Part No. **ISPTPKIT**

Component	# Screws Req'd	# Kits to Order
Side Panels (Pair)	16	2
Rear Panel (600, 700, 800, 1000 mm)	8	1
Rear Panel (1200, 1600 mm)	16	2



Frame Joining Kit

- Heavy duty bolting kit connects side by side units at 8 points.
- Maintains UL/CSA Type 12 approvals.

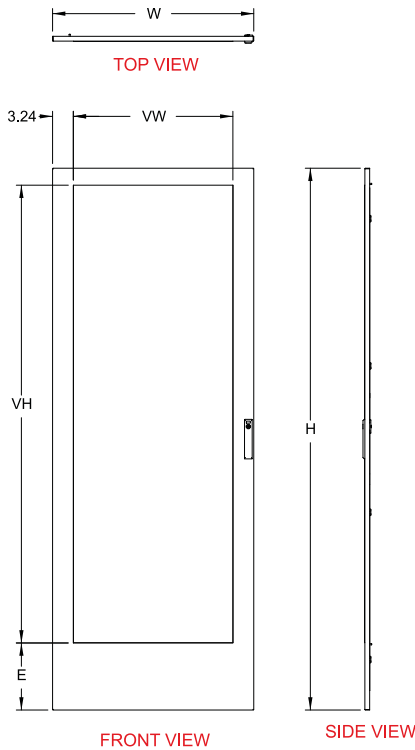
Part Number	Description
HMEJK	Heavy duty frame bolting kit

Modular Freestanding Enclosures - NEMA 12

HME Accessories

Modular Freestanding

HME Accessories



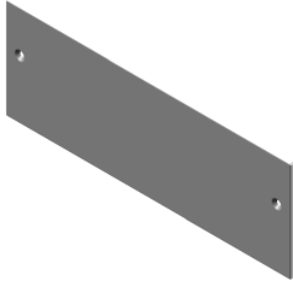
Window Door

- For use with HME Single Door Series only
- Provides maximum viewing area of enclosure equipment
- Maintains NEMA/UL/CSA Type 12 rating
- UL - 94-VO clear polycarbonate window
- Removable and reversible for left or right hand opening
- Complete with double bit insert latching mechanism
- Door opening 135°
- **Note: check compatibility with HFMD and HFMDT**

Part No.	Viewing Area			For use with Cabinet		
	Height	Width	E	Height	Width	
HMEDW146	mm	1219	434	67	1400	600
	inch	47.98	17.10	2.64	55.12	23.62
HMEDW148	mm	1219	635	67	1400	800
	inch	47.98	24.98	2.64	55.12	31.5
HMEDW166	mm	1419	434	67	1600	600
	inch	55.85	17.10	2.64	62.99	23.62
HMEDW168	mm	1419	635	67	1600	800
	inch	55.85	24.98	2.64	62.99	31.5
HMEDW186	mm	1617	434	67	1800	600
	inch	63.67	17.10	2.64	70.87	23.62
HMEDW188	mm	1617	635	67	1800	800
	inch	63.67	24.98	2.64	70.87	31.5
HMEDW206	mm	1819	434	67	2000	600
	inch	71.6	17.10	2.64	78.74	23.62
HMEDW208	mm	1819	635	67	2000	800
	inch	71.6	24.98	2.64	78.74	31.5
HMEDW226	mm	1819	434	266	2200	600
	inch	71.06	17.10	10.49	86.62	23.62
HMEDW228	mm	1819	635	266	2200	800
	inch	71.06	24.98	10.49	86.62	31.5

Modular Freestanding Enclosures - NEMA 12

HME Accessories


Top Cabling Module

Side Panels


Top Mount Cable Module and Side Panels

- Provides a space for cable organization along top of HME cabinet(s).
- Mounts directly to top of HME cabinet (with top panel removed) with matching WxD dimensions.
- Top Module consists of frame (similar to HME overall frame) with removable front and rear panels.
- Side panels (pair) sold separately. (Note: Standard top panel from HME cabinet fits on matching WxD version of Top Module).
- Finished in RAL7035 light gray.

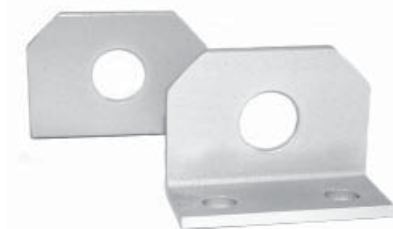
Part Number	Description	H	W	D
HTCM46	Top Cabling Module	200	400	600
HTCM66	Top Cabling Module	200	600	600
HTCM86	Top Cabling Module	200	800	600
HTCM106	Top Cabling Module	200	1000	600
HTCM126	Top Cabling Module	200	1200	600
HTCM346	Top Cable Module	300	400	600
HTCM366	Top Cable Module	300	600	600
HTCM386	Top Cable Module	300	800	600
HTCM3106	Top Cable Module	300	1000	600
HTCM3126	Top Cable Module	300	1200	600
HTCMS6	Side Panels for 200mm Top Cabling Module	200	n/a	600
HTCMS36	Side Panels for 300 mm top Cable Module	300	n/a	600



Casters

- Heavy duty casters set of 4 consisting of 2 locking and 2 non locking
- Features ball bearing swivel and hard composition wheels.
- Mfg rating of 1000 lbs set of 4
- Wheels are 4" diameter
- Threads into base

Part No. **1425HME**



Lifting Angles

- Used to replace lifting eyes for ganged enclosures
- Overall height 3.1" with eyelet hole 1.375"
- Kit includes 2 plated angle and hardware
- Weight capacity 2000 lbs per pair

Part No. **HMELA2**

Modular Freestanding Enclosures - NEMA 12

HME Accessories

Modular Freestanding



25mm



75mm

Grid System

- Constructed of 14 gauge steel, galvanized.
- There are 4 styles: (1) 25mm wide Depth Grid Strap, (2) 75mm wide Depth Grid Strap, (3) 75mm wide Vertical Grid Strap and (4) 25mm wide Door Support Rail
- Grid Straps feature pattern of alternating square holes (for cage nut) and round holes (for M5 or #12 screw) at standard 25mm centers. Door Support Rails have round holes only.
- Depth Grid Straps and Door Support Rails have mounting flanges at either end.
- Vertical Grid Straps mount flush (butt end bracket included) to other straps for a smooth continuous mounting surface. (To achieve full height vertical strap, 2 x 75mm Depth Grid Straps required for top and bottom).
- Sold in pairs.

Depth Grid Straps

Part Number	Description	Length (mm)	Fits Full Depth HME (mm)
HGD14	25mm wide with mounting flange	222	400
HGD15	25mm wide with mounting flange	323	500
HGD16	25mm wide with mounting flange	423	600
HGD18	25mm wide with mounting flange	623	800
HGD34	75mm wide with mounting flange	223	400
HGD35	75mm wide with mounting flange	323	500
HGD36	75mm wide with mounting flange	423	600
HGD38	75mm wide with mounting flange	623	800

HME Accessories

Modular Freestanding Enclosures - NEMA 12

HME Accessories



Vertical Grid Straps

Part Number	Description	Length (mm)	Fits Full Height HME (mm)
HGV35	75mm wide with flush mount bracket	350	n/a
HGV55	75mm wide with flush mount bracket	550	n/a
HGV75	75mm wide with flush mount bracket	750	n/a
HGV95	75mm wide with flush mount bracket	950	n/a
HGV115	75mm wide with flush mount bracket	1150	1400*
HGV135	75mm wide with flush mount bracket	1350	1600*
HGV155	75mm wide with flush mount bracket	1550	1800*
HGV175	75mm wide with flush mount bracket	1750	2000*
HGV195	75mm wide with flush mount bracket	1950	2200*

* - Requires 75mm wide Depth Grid Straps mounted in cabinet above and below.



Door Support Rails

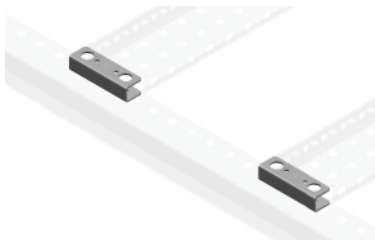
Part Number	Description	Length (mm)	Fits HME Door Width (mm)
HGDSR4	25mm wide with mounting flange	248	400
HGDSR5	25mm wide with mounting flange	348	500
HGDSR6	25mm wide with mounting flange	448	600
HGDSR8	25mm wide with mounting flange	648	800
HGDSR9	25mm wide with mounting flange	748	900*
HGDSR10	25mm wide with mounting flange	848	1000

* - 900mm width refers to doors on 1800mm wide cabinet



Grid Strap Spacer

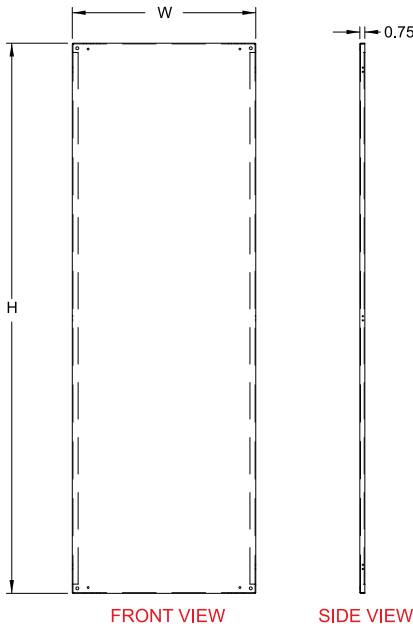
- Constructed of 14 gauge steel galvanized
- Designed as a spacer for 75mm grid straps when mounted front to back on bottom flanges
- Can be used for terminal straps and grounding bars
- Sold in pairs



Part Number	Description
HGS3	Grid Spacer 75mm x 17.5mm

Modular Freestanding Enclosures - NEMA 12

HME Accessories



Additional Inner Panels

- Formed 12 gauge galvanized steel unpainted
- Included with standard configuration
- Sold separately as secondary or replacement panel
- Can be used as swing panel (where indicated * - sold separately)
- Inner panel attachment hardware sold separately as required

Part No.		Overall		For use with Cabinet	
		Height	Width	Height	Width
HMEP146 *	mm	1296	499	1400	600
	inch	51.02	19.65	55.12	23.62
HMEP148 *	mm	1296	699	1400	800
	inch	51.02	27.52	55.12	31.50
HMEP1410	mm	1296	899	1400	1000
	inch	51.02	35.39	55.12	39.37
HMEP1412	mm	1296	1099	1400	1200
	inch	51.02	43.27	55.12	47.25
HMEP166 *	mm	1296	499	1600	600
	inch	58.90	19.65	62.99	23.62
HMEP168 *	mm	1496	699	1600	800
	inch	58.90	27.52	62.99	31.50
HMEP1612	mm	1496	1099	1600	1200
	inch	58.90	43.27	62.99	47.25
HMEP186 *	mm	1496	499	1800	600
	inch	66.77	19.65	70.87	23.62
HMEP188 *	mm	1696	699	1800	800
	inch	66.77	27.52	70.87	31.50
HMEP1810	mm	1696	899	1800	1000
	inch	66.77	35.39	70.87	39.37
HMEP1812	mm	1696	1099	1800	1200
	inch	66.77	43.27	70.87	47.25
HMEP1816	mm	1696	1499	1800	1600
	inch	66.77	59.02	70.87	62.99
HMEP1818	mm	1660	1699	1800	1800
	inch	66.77	66.89	70.87	70.87
HMEP204	mm	1660	299	2000	400
	inch	74.65	11.77	78.74	15.75
HMEP206 *	mm	1896	499	2000	600
	inch	74.65	19.65	78.74	23.62
HMEP208 *	mm	1896	699	2000	800
	inch	74.65	27.52	78.74	31.50
HMEP2010	mm	1896	899	2000	1000
	inch	74.65	35.39	78.74	39.37
HMEP2012	mm	1896	1099	2000	1200
	inch	74.65	43.27	78.74	47.25
HMEP2016	mm	1896	1499	2000	1600
	inch	74.65	59.02	78.74	62.99
HMEP2018	mm	1896	1699	2000	1800
	inch	74.65	66.89	78.74	70.87
HMEP224	mm	1896	299	2200	400
	inch	74.65	11.77	86.62	15.75
HMEP226 *	mm	1896	499	2200	600
	inch	82.52	19.65	86.62	23.62
HMEP228 *	mm	2096	699	2200	800
	inch	82.52	27.52	86.62	31.50
HMEP2210	mm	2096	899	2200	1000
	inch	82.52	35.39	86.62	39.37
HMEP2212	mm	2096	1099	2200	1200
	inch	82.52	43.27	86.62	47.25



Inner panel hardware

- Required to install above inner panels to HME frame



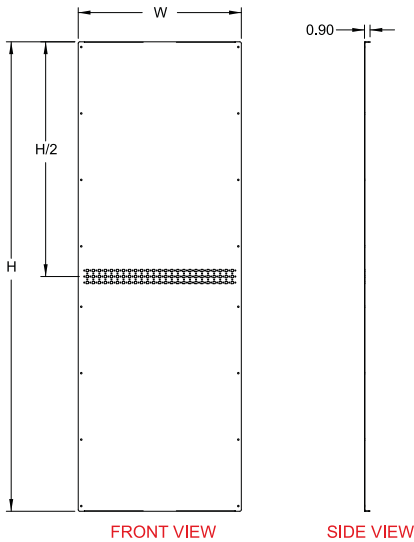
Part Number	Description
HMEIPMTG	Inner panel Mounting hardware

Modular Freestanding Enclosures - NEMA 12

HME Accessories

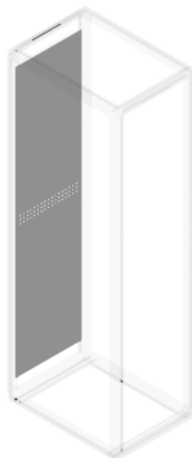
Side Mounting Inner panels

- Sold individually
- Formed 14 gauge galvanized steel unpainted
- Mounts directly to frame
- Can be used in combination with depth grid straps (top and bottom)
- Allows installation of 19" mounting rails including center support
- Reduced height may allow cable pass through on ganged cabinets



FRONT VIEW

SIDE VIEW

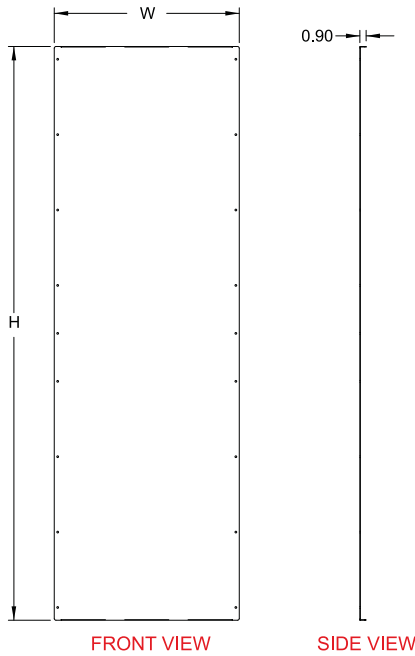


Part No.		Overall		For use with Cabinet	
		Height	Width	Height	Depth
HSIP145	mm	1143	375	1400	500
	inch	45.00	14.76	55.12	19.65
HSIP146	mm	1143	475	1400	600
	inch	45.00	18.70	55.12	23.62
HSIP148	mm	1143	675	1400	800
	inch	45.00	26.57	55.12	31.5
HSIP165	mm	1343	375	1600	500
	inch	52.87	14.76	62.99	19.65
HSIP166	mm	1343	475	1600	600
	inch	52.87	18.7	62.99	23.62
HSIP168	mm	1343	675	1600	800
	inch	52.87	26.57	62.99	31.5
HSIP184	mm	1543	275	1800	400
	inch	60.74	10.82	70.87	15.75
HSIP185	mm	1543	375	1800	500
	inch	60.74	14.76	70.87	19.65
HSIP186	mm	1543	475	1800	600
	inch	60.74	18.70	70.87	23.62
HSIP188	mm	1573	675	1800	800
	inch	60.74	26.57	70.87	31.5
HSIP204	mm	1743	275	2000	400
	inch	68.62	10.82	78.74	15.75
HSIP205	mm	1743	375	2000	500
	inch	68.72	14.76	78.74	19.69
HSIP206	mm	1743	475	2000	600
	inch	68.72	18.70	78.74	23.62
HSIP208	mm	1743	675	2000	800
	inch	68.72	26.57	78.74	31.5
HSIP225	mm	1943	375	2200	500
	inch	76.49	14.76	86.62	19.69
HSIP226	mm	1943	475	2200	600
	inch	76.49	18.70	86.62	23.62
HSIP228	mm	1943	675	2200	800
	inch	76.49	16.57	86.62	31.5

Modular Freestanding Enclosures - NEMA 12

HME Accessories

Modular Freestanding



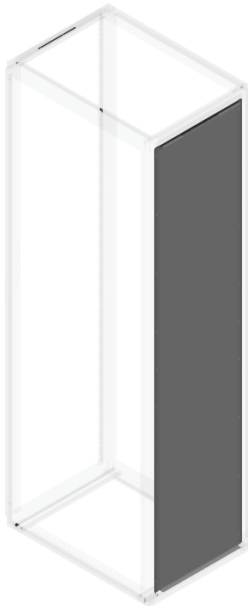
Side Mounting Barrier Panels

- Sold individually
- Formed 14 gauge galvanized steel unpainted
- Mounts directly to frame
- Full height and depth panel creating a full barrier between cells
- No provision for depth grid straps or 19" mounting rails
- Can be used as a mounting surface



Part No.		Overall		For use with Cabinet	
		Height	Width	Height	Depth
HSBP145	mm	1293	375	1400	500
	inch	50.90	14.76	55.12	19.65
HSBP146	mm	1293	475	1400	600
	inch	50.90	18.70	55.12	23.62
HSBP148	mm	1293	675	1400	800
	inch	50.90	26.57	55.12	31.5
HSBP165	mm	1493	375	1600	500
	inch	58.78	14.76	62.99	19.65
HSBP166	mm	1493	475	1600	600
	inch	58.78	18.70	62.99	23.62
HSBP168	mm	1493	675	1600	800
	inch	58.78	26.57	62.99	31.5
HSBP184	mm	1693	275	1800	400
	inch	66.65	10.82	70.87	15.75
HSBP185	mm	1693	375	1800	500
	inch	66.65	14.76	70.87	19.65
HSBP186	mm	1693	475	1800	600
	inch	66.65	18.70	70.87	23.62
HSBP188	mm	1693	675	1800	800
	inch	66.65	26.57	70.87	31.5
HSBP204	mm	1893	275	2000	400
	inch	74.53	10.82	78.74	15.75
HSBP205	mm	1893	375	2000	500
	inch	74.53	14.76	78.74	19.69
HSBP206	mm	1893	475	2000	600
	inch	74.53	18.70	78.74	23.62
HSBP208	mm	1893	675	2000	800
	inch	74.53	26.57	78.74	31.5
HSBP225	mm	2093	375	2200	500
	inch	82.40	14.76	86.62	19.69
HSBP226	mm	2093	475	2200	600
	inch	82.40	18.70	86.62	23.62
HSBP228	mm	2093	675	2200	800
	inch	82.40	26.57	86.62	31.5

HME Accessories

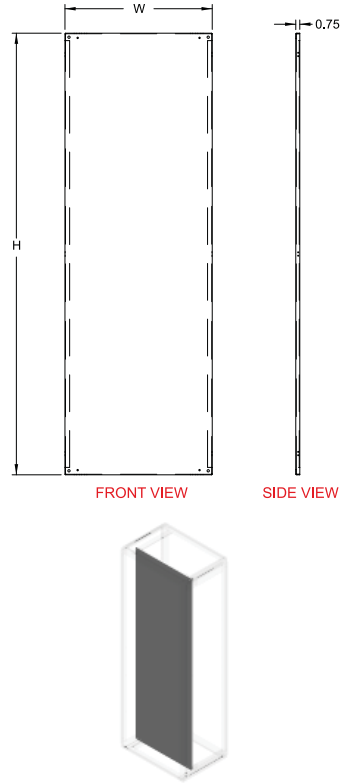


Modular Freestanding Enclosures - NEMA 12

HME Accessories

Modular Freestanding

HME Accessories



Swing Panel

- Formed 12 gauge galvanized steel unpainted
- Requires Swing Kit sold separately

Part No.		Overall		For use with Cabinet	
		Height	Width	Height	Width
HMEP146	mm	1296	499	1400	600
	inch	51.03	23.62	55.12	23.62
HMEP148	mm	1296	699	1400	800
	inch	51.03	27.52	55.12	31.5
HMEP166	mm	1496	499	1600	600
	inch	58.9	23.62	62.99	23.62
HMEP168	mm	1496	699	1600	800
	inch	58.9	27.52	62.99	31.5
HMEP186	mm	1696	499	1800	600
	inch	66.77	23.62	70.87	23.62
HMEP188	mm	1696	699	1800	800
	inch	66.77	27.52	70.87	31.5
HMEP206	mm	1896	499	2000	600
	inch	74.65	23.62	78.74	23.62
HMEP208	mm	1896	699	2000	800
	inch	74.65	27.52	78.74	31.5
HMEP226	mm	2096	499	2200	600
	inch	82.52	23.62	86.62	23.62
HMEP228	mm	2096	699	2200	800
	inch	82.52	27.52	86.62	31.5



Shown with optional door support rails

Shelf

- Mounts to internal door channel using 1 or 2 door support rails (sold separately) or directly to a door/side panel using supplied hardware.
- Can be easily positioned at various heights.
- Opens to 90° or 75° angle and quickly folds down for compact storage.
- Finished in RAL 7035 light gray.

Part Number	Width	Depth
DMS1615	16	15

Bridge Panel

- Mounts between inner panels of joined enclosures.
- Formed 12 gauge galvanized steel unpainted.
- 3.75" wide.



Part Number	For Use with Cabinet Height
HMEPB14	1400
HMEPB16	1600
HMEPB18	1800
HMEPB20	2000
HMEPB22	2200

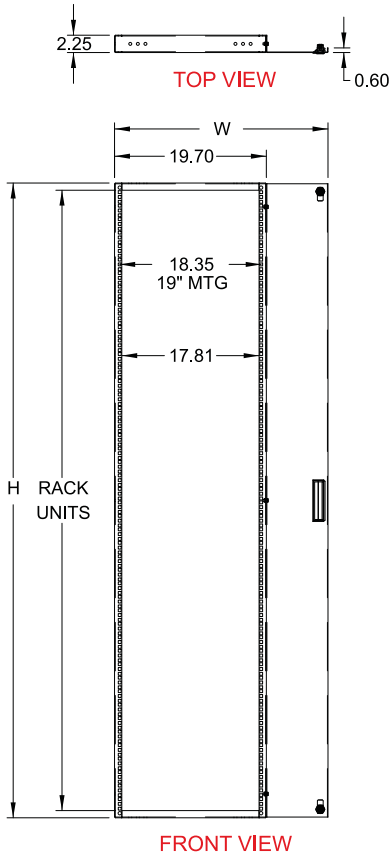
Technical references and CAD downloads available at www.hammondmfg.com

All dimensions in inches unless specified otherwise

Quality Products. Service Excellence.

Modular Freestanding Enclosures - NEMA 12

HME Accessories

Modular Freestanding
HME Accessories


Swing Frame for 19" Mounting

- Frame provides 19" rack mounting centers
- Rails punched for square holed cage nuts
- Finished in RAL7035
- Requires Swing Kit sold separately

Part No.	Overall		Rack Units	For use with Cabinet	
	Height	Width		Height	Width
HMESWF166	mm	1494	32	1600	600
	inch	58.80			
HMESWF168	mm	1494	32	1600	800
	inch	58.80			
HMESWF186	mm	1694	37	1800	600
	inch	66.68			
HMESWF188	mm	1694	37	1800	800
	inch	66.68			
HMESWF206	mm	1894	41	2000	600
	inch	74.55			
HMESWF208	mm	1894	41	2000	800
	inch	74.55			
HMESWF226	mm	2094	45	2200	600
	inch	82.43			
HMESWF228	mm	2094	45	2200	800
	inch	82.43			



Swing Kits

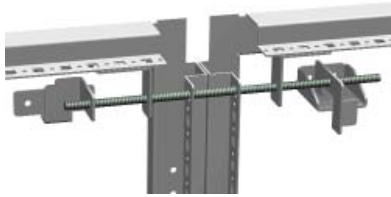
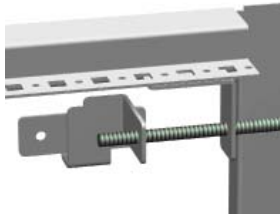
- Used in conjunction with HMEP Swing Panels or HMESWF Swing Frames
- Provides adjustable location for panels and frame front to rear
- Comes complete with all mounting hardware
- Allows for maximum swing of 120° when positioned fully at front of cabinet.
- Finished in RAL7035



Part Number	Description
HMESWK4	Fits 400mm depth frame
HMESWK5	Fits 500mm depth frame
HMESWK6	Fits 600mm depth frame
HMESWK8	Fits 800mm depth frame

Modular Freestanding Enclosures - NEMA 12

HME Accessories


**Master Interlock
(Rod included)**

**Slave Interlock
(Rod sold separately)**

Interlock Kit for HME, HFMD, HMET & HFMTD

- Master Interlock Kit- required for master door in system
- Slave Interlock Kit- required for each slave door to be interlocked with master door
- Rod connector kit- required for connecting to slave kit
- Clear zinc plated
- All kits maintain UL/CSA Type 12 approvals

Part Number	Description
HMIK	Master Interlock Kit
HSIK	Slave Interlock Kit
HSCRD	Rod Connector kit 600-1200 wide

Ordering Guide Common assemblies	Required
Single Door (Master Right or left) to Single door Cabinet	Master Interlock Kit
Single Door (Master right) to Double door Cabinet	Master Interlock Kit
Single Door (Master left) to Double door cabinet	Master Interlock Kit + Rod Connector Kit
Double Door (Master Right or Left) to Double door Cabinet	Master Interlock Kit + Rod Connector Kit
Any Additional cabinets to any of the above configurations	Slave + Rod Connector kit


L Rail

Combination Rail

19" Rails and Width Adapter Kits

- Provides 19" rack mounting centers in 600mm wide cabinets.
- Provides 19" rack mounting centers in 800mm wide cabinets when combined with Width Adapter Kits (Part # **HAK19800**).
- Can mount directly to frame in full front and full back positions or can have full front to back depth adjustment when used with Depth Grid Straps (sold separately).
- Rails are 12 gauge, include mounting hardware and are clear zinc plated (ZPL) finish.
- Square holed rails with full EIA centers.
- Sold in pairs.


HAK19800

Part Number	Style	Mounting Space		Use with H (mm)
		U	Inches	
HPR16SZPL	Panel (L shape)	33	57.75	1600
HPR18SZPL	Panel (L shape)	38	66.50	1800
HPR20SZPL	Panel (L shape)	42	73.50	2000
HPR22SZPL	Panel (L shape)	47	82.25	2200
HCR16SZPL	Combination	33	57.75	1600
HCR18SZPL	Combination	38	66.50	1800
HCR20SZPL	Combination	42	73.50	2000
HCR22SZPL	Combination	47	82.25	2200

Part Number	Description
HAK19800	Adapts 800mm wide cabinets to 19" rack mounting (includes 4 brackets)

Modular Freestanding Enclosures - NEMA 12

HME Accessories

Modular Freestanding



**RCNIT - Cage nut
insertion tool**

Grid Mounting Hardware

- A variety of hardware options are available for the Grid System.
- Square holes accommodate cage nuts listed.
- Round holes accommodate M5 and #12 thread forming screws listed.

Square Hole Hardware

Part Number	Description
RCNIT	Cage nut insertion tool
1421CNA25	25 of 10-32 cage nut
1421CNA100	100 of 10-32 cage nut
1421D	25 of Panhead #10-32 Slot/Phillips x 0.5"
1421CND25	25 of ¼-20 cage nut
1421CND100	100 of ¼-20 cage nut
1421SP142025	25 of Panhead ¼-20 Slot/Phillips x 0.5"
1421CNB25	25 of M6 cage nut
1421CNB100	100 of M6 cage nut
1421CNBF100	100 of M6 front load cage nut
1421HPM625	25 of Hex/Phillips M6 screws x 12mm

Round Hole Hardware

Part Number	Description
1421HPTM525	25 of Hex/Phillips Threadrolling M5 screws x 12mm
1421CT25	25 of Pan/Phillips Threadrolling #12-24 screws x 0.5"

HME Accessories



Ground Wire Kits

- Stranded #10 gauge copper wire with ring terminal .256 dia hole
- Includes mounting nuts both 1/4-20 and 10-32 ground studs
- Ground symbols (2 for each jumper)

Part Number	Description
GRDKIT01	Quantity 2
GRDKIT02	Quantity 6

Ground Bar Kits

- Solid copper 1" x .125" with 10-32 drilled and tapped holes and 1- .312 main ground point
- Mounts directly to grid straps or frame mounting surface



Part Number	Description
GRDBAR600	400mm length for 600 mm wide enclosures
GRDBAR800	600mm length for 800 mm wide enclosures

Modular Freestanding Enclosures - NEMA 12

HME Accessories



Inserts

- Standard door hardware is an escutcheon plate with double bit insert.
- A variety of other inserts (and matching keys) available as alternatives.

Part Number	Type	Description
HMESQI7	Insert	For escutcheon - 7mm square
HMESQI8	Insert	For escutcheon - 8mm square
HMETRI6	Insert	For escutcheon - 6.5mm triangle
HMETRI7	Insert	For escutcheon - 7mm triangle
HMETRI8	Insert	For escutcheon - 8mm triangle
HMEDBPI	Insert	For escutcheon - double bit w/3mm pin
HMESLCPI	Insert	For escutcheon - slot - coin proof
HMENLINS	Insert	For HMEHLKL non-locking insert
2SQK7	Key	For escutcheon - 7mm square
HMESQK8	Key	For escutcheon - 8mm square
HMETRK6	Key	For escutcheon - 6.5mm triangle
2TRK7	Key	For escutcheon - 7mm triangle
HMETRK8	Key	For escutcheon - 8mm triangle
HMEDBPK	Key	For escutcheon - double bit w/3mm pin
PMKEY	Key	For escutcheon - standard double bit



Handles

- Standard escutcheon plate and insert can be replaced with several handle options.
- Die cast Swing Handles (black) open door with a rotating motion, are key-locking and available with padlocking feature.
- Heavy duty die cast Lift Handles (light gray) open door with an ergonomic lift up motion and are offered in key-locking and non-locking versions.

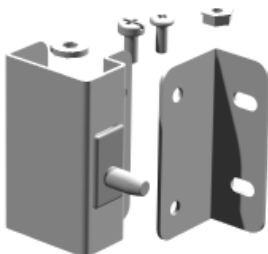
Part Number	Description
HMEHSKL	Diecast swing handle with key locking (black)
HMEHSKLPL	Diecast swing handle with key locking and padlockable (black)
HMEHLKL	Diecast lift handle with key locking (RAL7035 Gray)
HMEHLNL	Diecast lift handle non-locking (RAL7035 Gray)



Light Kit Brackets

- Designed for mounting to HME frame assembly
- Brackets accept either Fluorescent or LED light kits
- Clear coat plated finish

Part Number	Description
FLMTGBRK	Light kit mounting bracket 1.5" x 9" qty 2



Door switch

- Designed for mounting to HME frame assembly
- NO/NC switch rated 10A 115/230 volt

Part Number	Description
FDS1	Door Switch HME