



Wireway & Trough

	1485 Series Lay-In Wireway - NEMA 12 273
	1486 Series Wiring Trough - NEMA 12 281
	1487 Series Pull Through Wireway - NEMA 12 283
	Lay In Wireway - Screw Cover and Hinge Cover NEMA 1 289
	C3RWT Series Wiring Trough - NEMA 3R..... 295

Wireway & Trough



1485 Series Lay-In Wireway - NEMA 12



Wireway & Trough

Application

- Designed to enclose and protect electrical wiring from dirt, dust, oil and water.
- All sections and fittings are completely open on each side to allow wires and cables to be placed into the wireway without “pulling through”.

Standards

- UL 870 Type 1 (unless marked1)
- CSA Type 1 (unless marked1)
- Complies with
 - NEMA Type 12
 - JIC EMP-1-1967
 - JIC EGP-1-1967
 - IEC 60529, IP54

Construction

- Bodies and covers are formed from 14-gauge steel with 10 gauge steel flanges.
- 12" x 6" size has a 12 gauge steel body with a 14-gauge cover.
- Smooth continuously welded seams.
- Interior surfaces are smooth to prevent wire damage during installation.
- Butt hinged cover is secured with easily operated quick release clamps.
- Oil resistant gaskets are permanently secured.
- Solid oil resistant gaskets are used between flanges when sections and fittings are bolted together.
- One gasket kit, complete with hardware is provided with each straight section or fitting.
- Sealing plate is supplied.
- Flange junctions are sealed with gasket sealing plates, which are put in place after wiring is completed. One is supplied with all straight sections and most fittings; see table for exact number.

Finish

- Sections and components are finished in ANSI 61 gray powder coating.

Notes

- When joining a wireway section or fitting to an enclosure be sure to order a box connector.
- When joining two wireway sections, or joining a wireway section to a fitting, a flat sealing plate is required at each junction; necessary kits are supplied with each section and fitting. See table, extra kits may be ordered if necessary.
- When joining a lay-in wireway section or fitting to a closure plate, a box connector, or cut-off fitting, an angle sealing plate is required at each junction.
- Necessary kits are supplied with each section and fitting - see table. Extra kits, although not normally required, are necessary when joining lay-in wireway to a non-lay-in section or fitting section.

Lay-In Wireway

1485 Series Lay-In Wireway - NEMA 12

Wireway & Trough

Lay-In Wireway

Description	Sealing Plates Supplied	2.5 x 2.5 Part No.	4 x 4 Part No.	6 x 6 Part No.	8 x 8 Part No.	12 x 6 Part No.
6" Section	1 Flat	1485B6	1485C6	1485D6	1485E6	1485F6
12" Section	1 Flat	1485B12	1485C12	1485D12	1485E12	1485F12
24" Section	1 Flat	1485B24	1485C24	1485D24	1485E24	1485F24
36" Section	1 Flat	1485B36	1485C36	1485D36	1485E36	1485F36
48" Section	1 Flat	1485B48	1485C48	1485D48	1485E48	1485F48
60" Section	1 Flat	1485B60	1485C60	1485D60	1485E60	1485F60
120" Section	1 Flat	1485B120	1485C120	1485D120	1485E120	1485F120
60" Long Partition (Barrier)	—	—	1487CB60 ¹	1487DB60 ¹	1487EB60 ¹	1487DB60 ¹
1" Nipple	1 Flat	1485BM1	1485CM1	1485DM1	—	—
2" Nipple	1 Flat	1485BM2	1485CM2	1485DM2	—	—
3" Nipple	1 Flat	1485BM3	1485CM3	1485DM3	—	—
Box Entry Swivel Nipple	1 Angle	1485BV1	1485CV1	1485DV1	1485EV1	—
Standard Swivel Nipple	2 Angle	1485BV2	1485CV2	1485DV2	1485EV2	—
12" Transposition Clockwise	1 Flat	1485BZ12	1485CZ12	1485DZ12	1485EZ12	—
12" Transposition Counter-Clockwise	1 Flat	1485BZC12	1485CZC12	1485DZC12	1485EZC12	—
Flexible Fitting	None	1485BFF	1485CFF	1485DFF	1485EFF	—
Adjustable Fitting	1 Spec.	1485BX ¹	1485CX ¹	1485DX ¹	1485EX ¹	1485FX ¹
Cut-Off Fitting Lay-In	1 Flat	1485BW1 ¹	1485CW1 ¹	1485DW1 ¹	1485EW1 ¹	1485FW1 ¹
Cut-Off Fitting Non Lay-In	1 Angle	1485BW2 ¹	1485CW2 ¹	1485DW2 ¹	1485EW2 ¹	1485FW2 ¹
90° Elbow, Top Opening	1 Flat	1485B9N	1485C9N	1485D9N	1485E9N	1485F9N
90° Elbow, Inside Opening	1 Flat	1485B9P	1485C9P	1485D9P	1485E9P	1485F9P
90° Elbow, Outside Opening	1 Flat	1485B9Q	1485C9Q	1485D9Q	1485E9Q	1485F9Q
45° Elbow, Top Opening	1 Flat	1485B4N	1485C4N	1485D4N	1485E4N	1485F4N
45° Elbow, Inside Opening	1 Flat	1485B4P	1485C4P	1485D4P	1485E4P	—
45° Elbow, Outside Opening	1 Flat	1485B4Q	1485C4Q	1485D4Q	1485E4Q	—
Tee Fitting, Top Opening	2 Flat	1485BTN	1485CTN	1485DTN	1485ETN	1485FTN
Tee Fitting, Outside & Top Opening	2 Flat	1485BTQ	1485CTQ	1485DTQ	1485ETQ	—
Cross Fitting	3 Flat	1485BY	1485CY	1485DY	1485EY	1485FY
Reducer 4 x 4 to 2.5 x 2.5	None	—	1485CRE	—	—	—
Reducer 6 x 6 to 4 x 4	None	—	—	1485DRE	—	—
Reducer 8 x 8 to 6 x 6	None	—	—	—	1485ERE	—
Reducer 12 x 6 to 4 x 4	None	—	—	—	—	1485FREC
Reducer 12 x 6 to 6 x 6	None	—	—	—	—	1485FRED
Junction Box	1 Flat	1485BJ	1485CJ	1485DJ	1485EJ	—
Box Connector	1 Angle	1485BK ¹	1485CK ¹	1485DK ¹	1485EK ¹	1485FK ¹
Drop Hanger	None	1485BL1 ¹	1485CL1 ¹	1485DL1 ¹	1485EL1 ¹	—
Bracket Hanger	None	1485BL2 ¹	1485CL2 ¹	1485DL2 ¹	1485EL2 ¹	—
Cover Plate	1 Angle	1485BH ²	1485CH ²	1485DH ²	1485EH ²	1485FH ²
Snap On Flat Sealing Plate	None	1485BSM ²	1485CSM ²	1485DSM ²	1485ESM ²	1485FSM ²
Angle Sealing Plate	None	1485BS9 ²	1485CS9 ²	1485DS9 ²	1485ES9 ²	1485FS9 ²

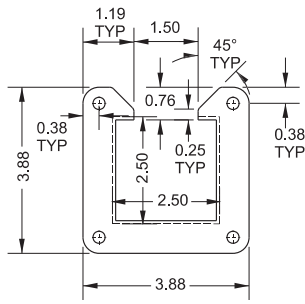
¹ Does not meet CSA or UL requirements

² Maintains ratings on CSA and UL approved wireway

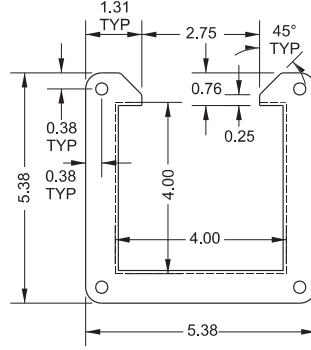
1485 Series Lay-In Wireway - NEMA 12

Wireway & Trough

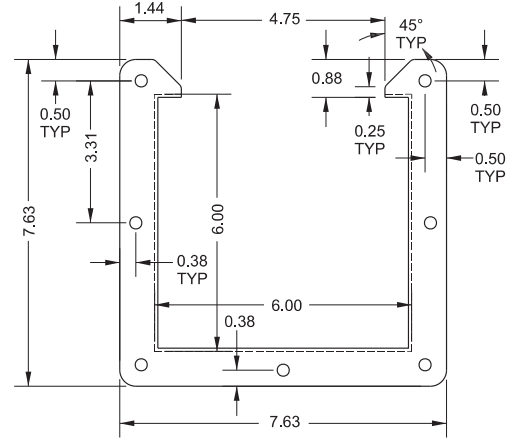
Lay-In Wireway



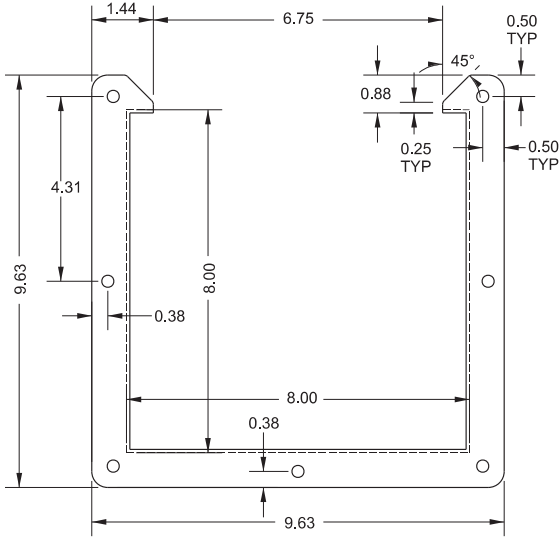
2.5 x 2.5



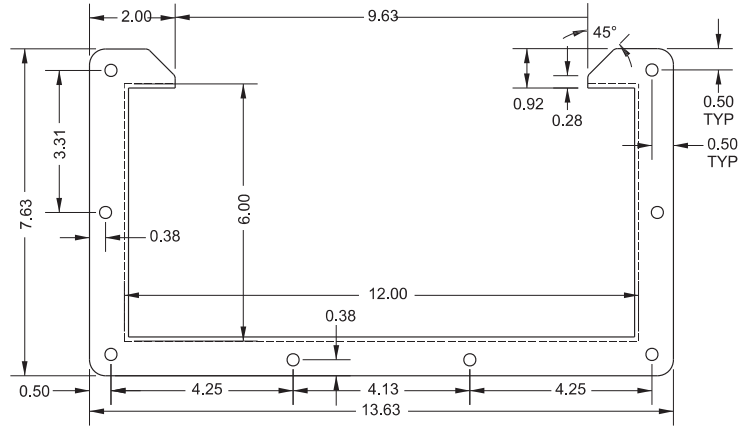
4 x 4



6 x 6



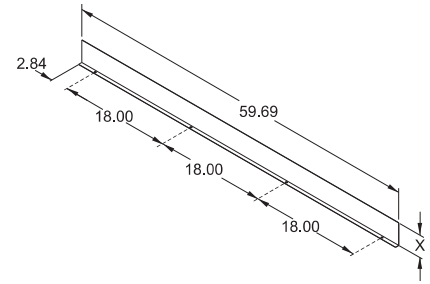
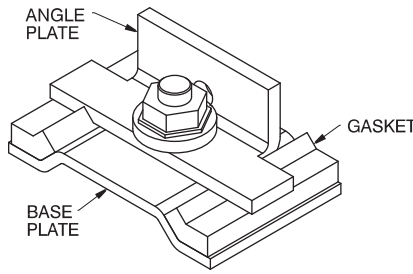
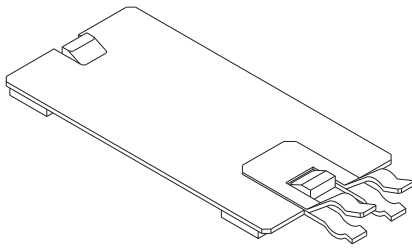
8 x 8



12 x 6

All unmarked diameters are 0.28
All unmarked radii are 0.38

1485 Series Lay-In Wireway - NEMA 12



Snap On Flat Sealing Plate

Part No.	Size
1485BSM	2.5 x 2.5
1485CSM	4 x 4
1485DSM	6 x 6
1485ESM	8 x 8
1485FSM	12 x 6

Maintains ratings on CSA and UL approved wireway

Angle Sealing Plate

Part No.	Size
1485BS9	2.5 x 2.5
1485CS9	4 x 4
1485DS9	6 x 6
1485ES9	8 x 8
1485FS9	12 x 6

Maintains ratings on CSA and UL approved wireway

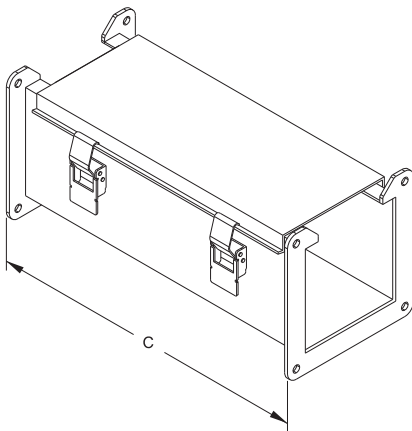
Partition (Barrier) Kit

- Divides wireway into two or more compartments. Barriers are fastened to wireway sections with screws.

Part No.	Size	X
1487CB60	4 x 4	3.72
1487DB60	6 x 6	5.72
1487EB60	8 x 8	7.72
1487DB60	12 x 6	5.72

Does not meet CSA or UL requirements

Wireway & Trough

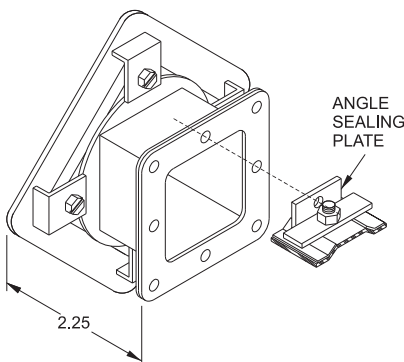


Typical Straight Section

C=6" Section	C=12" Section	C=24" Section	C=36" Section	C=48" Section	C=60" Section	C=120" Section	Size
Part No.	Part No.	Part No.	Part No.	Part No.	Part No.	Part No.	
1485B6	1485B12	1485B24	1485B36	1485B48	1485B60	1485B120	2.5 x 2.5
1485C6	1485C12	1485C24	1485C36	1485C48	1485C60	1485C120	4 x 4
1485D6	1485D12	1485D24	1485D36	1485D48	1485D60	1485D120	6 x 6
1485E6	1485E12	1485E24	1485E36	1485E48	1485E60	1485E120	8 x 8
1485F6	1485F12	1485F24	1485F36	1485F48	1485F60	1485F120	12 x 6

One flat sealing plate included

Lay-In Wireway



Box Entry or Standard Swivel Nipple

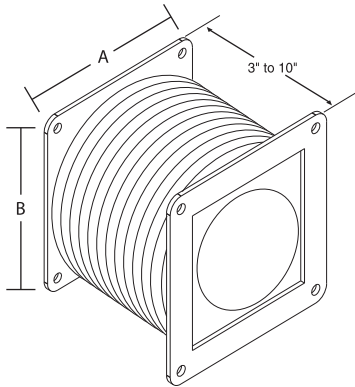
Box Entry Swivel Nipple Part No.	Standard Swivel Nipple Part No.	Size
1485BV1 ¹	1485BV2 ²	2.5 x 2.5
1485CV1 ¹	1485CV2 ²	4 x 4
1485DV1 ¹	1485DV2 ²	6 x 6
1485EV1 ¹	1485EV2 ²	8 x 8

¹One angle sealing plate included

²Two angle sealing plates included

1485 Series Lay-In Wireway - NEMA 12

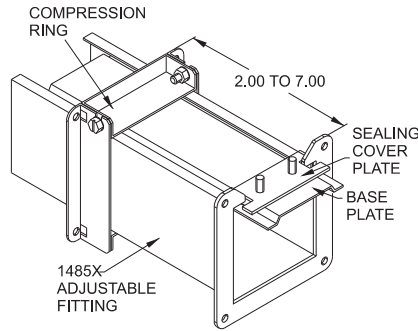
Wireway & Trough



Flexible Fitting

- Allows for easy alignment of sections or fittings
- Metal flanges
- Flexible synthetic "bellows" middle section

Part No.	A	B
1485BFF	2.5	2.5
1485CFF	4	4
1485DFF	6	6
1485EFF	8	8

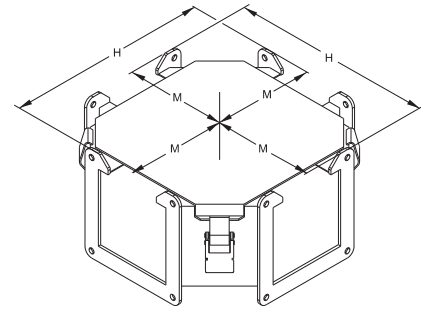


Adjustable Fitting

- Allows on site length adjustment of 2" to 7"

Part No.	Size
1485BX	2.5 x 2.5
1485CX	4 x 4
1485DX	6 x 6
1485EX	8 x 8
1485FX	12 x 6

One special sealing plate included
Does not meet CSA or UL requirements

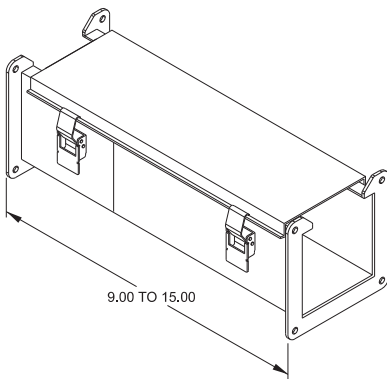


Cross Fitting

Part No.	Size	H	M
1485BY	2.5 x 2.5	8.50	4.25
1485CY	4 x 4	10.00	5.00
1485DY	6 x 6	12.00	6.00
1485EY	8 x 8	14.00	7.00
1485FY	12 x 6	18.00	9.00

Three flat sealing plates included

Lay-In Wireway

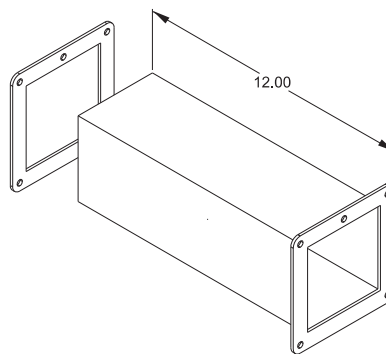


Cut-Off Fitting (Lay-In)

- Body comes in two pieces. Cut-off one piece, shorten cover, and weld together.
- Includes angle sealing plate.

Part No.	Size
1485BW1	2.5 x 2.5
1485CW1	4 x 4
1485DW1	6 x 6
1485EW1	8 x 8
1485FW1	12 x 6

One flat sealing plate included
Does not meet CSA or UL requirements

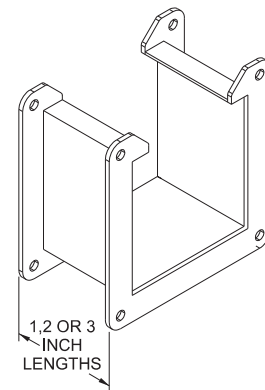


Cut-Off Fitting (Non Lay-in)

- For lengths up to 12". Cut off body and weld on flange.

Part No.	Size
1485BW2	2.5 x 2.5
1485CW2	4 x 4
1485DW2	6 x 6
1485EW2	8 x 8
1485FW2	12 x 6

One angle sealing plate included
Does not meet CSA or UL requirements



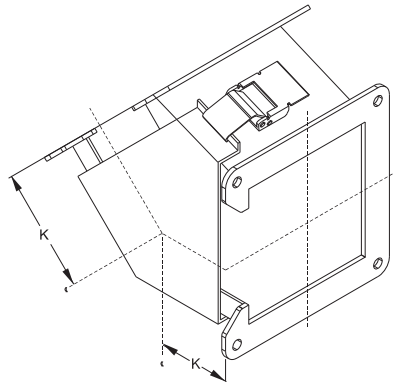
Typical Nipple

- Lay-in nipples come with a special sealing plate which cannot be used adjacent to swivel nipples (use 1487 Series nipples)

1" Nipple Part No.	2" Nipple Part No.	3" Nipple Part No.	Size
1485BM1	1485BM2	1485BM3	2.5 x 2.5
1485CM1	1485CM2	1485CM3	4 x 4
1485DM1	1485DM2	1485DM3	6 x 6

One flat sealing plate included

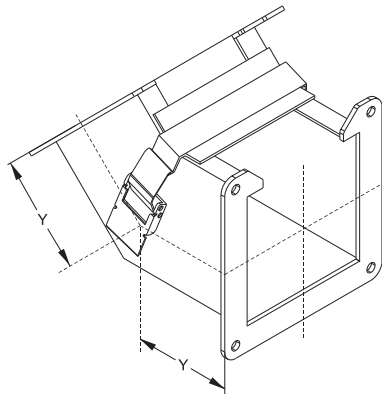
1485 Series Lay-In Wireway - NEMA 12



**45° Elbow
Top Opening**

Part No.	Size	K
1485B4N	2.5 x 2.5	2.28
1485C4N	4 x 4	2.60
1485D4N	6 x 6	3.00
1485E4N	8 x 8	3.41
1485F4N	12 x 6	4.24

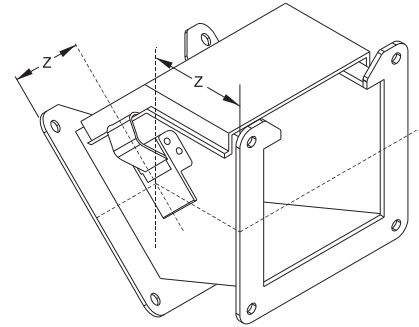
One flat sealing plate included



**45° Elbow
Inside Opening**

Part No.	Size	Y
1485B4P	2.5 x 2.5	2.28
1485C4P	4 x 4	2.59
1485D4P	6 x 6	3.00
1485E4P	8 x 8	3.41

One flat sealing plate included

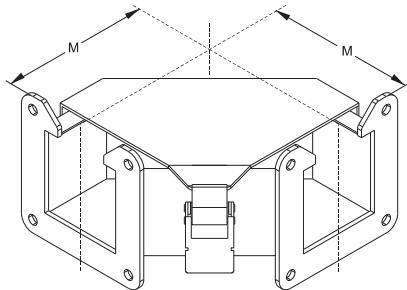


**45° Elbow
Outside Opening**

Part No.	Size	Z
1485B4Q	2.5 x 2.5	2.29
1485C4Q	4 x 4	2.61
1485D4Q	6 x 6	3.02
1485E4Q	8 x 8	3.44

One flat sealing plate included

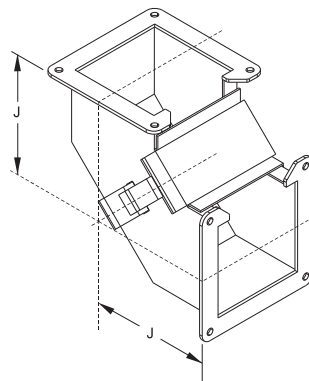
Wireway & Trough



**90° Elbow
Top Opening**

Part No.	Size	M
1485B9N	2.5 x 2.5	4.25
1485C9N	4 x 4	5.00
1485D9N	6 x 6	6.00
1485E9N	8 x 8	7.00
1485F9N	12 x 6	9.00

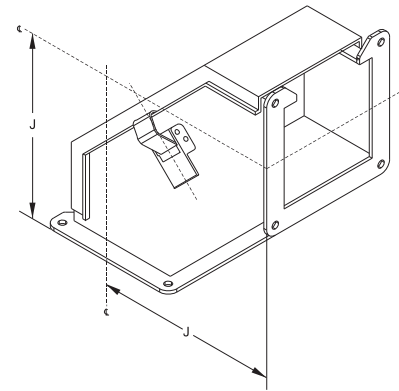
One flat sealing plate included



**90° Elbow
Inside Opening**

Part No.	Size	J
1485B9P	2.5 x 2.5	4.25
1485C9P	4 x 4	5.00
1485D9P	6 x 6	6.00
1485E9P	8 x 8	7.00
1485F9P	12 x 6	6.00

One flat sealing plate included



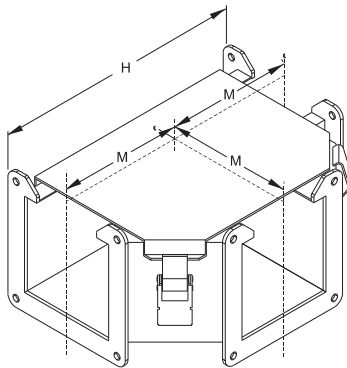
**90° Elbow
Outside Opening**

Part No.	Size	J
1485B9Q	2.5 x 2.5	4.25
1485C9Q	4 x 4	5.00
1485D9Q	6 x 6	6.00
1485E9Q	8 x 8	7.00
1485F9Q	12 x 6	6.00

One flat sealing plate included

Lay-In Wireway

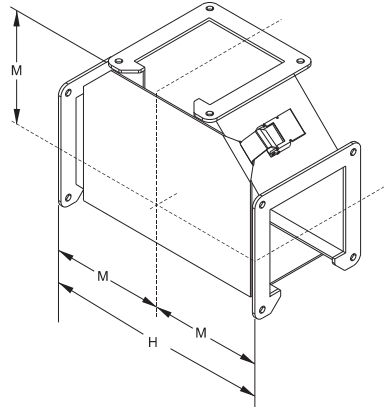
1485 Series Lay-In Wireway - NEMA 12

Wireway & Trough


Tee Fitting Top Opening

Part No.	Size	H	M
1485BTN	2.5 x 2.5	8.50	4.25
1485CTN	4 x 4	10.00	5.00
1485DTN	6 x 6	12.00	6.00
1485ETN	8 x 8	14.00	7.00
1485FTN	12 x 6	18.00	9.00

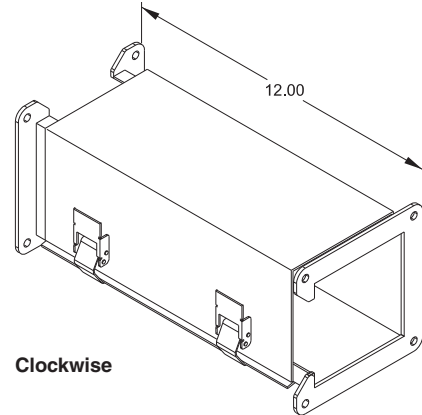
Two flat sealing plates included



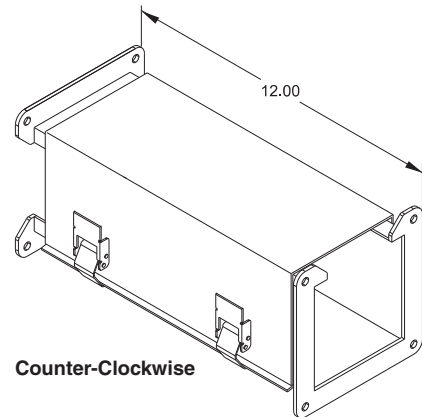
Tee Fitting Outside and Top Opening

Part No.	Size	H	M
1485BTQ	2.5 x 2.5	8.50	4.25
1485CTQ	4 x 4	10.00	5.00
1485DTQ	6 x 6	12.00	6.00
1485ETQ	8 x 8	14.00	7.00

Two flat sealing plates included



Clockwise



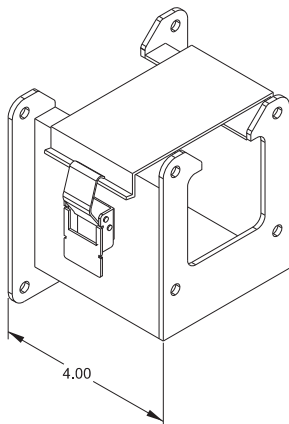
Counter-Clockwise

12" Transposition Sections Clockwise & Counter-Clockwise

- Used to rotate the open side of a wireway run by 90° and maintain the lay-in feature

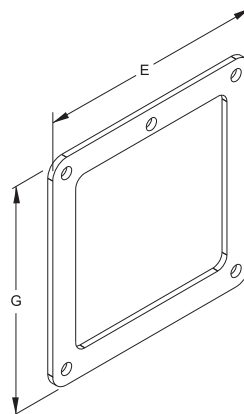
Clockwise Part No.	Counter-Clockwise Part No.	Size
1485BZ12	1485BZC12	2.5 x 2.5
1485CZ12	1485CZC12	4 x 4
1485DZ12	1485DZC12	6 x 6
1485EZ12	1485EZC12	8 x 8

One flat sealing plate included

Lay-In Wireway


Reducers

Part No.	Reduces from	to
1485CRE	4 x 4	2.5 x 2.5
1485DRE	6 x 6	4 x 4
1485ERE	8 x 8	6 x 6
1485FREC	12 x 6	4 x 4
1485FRED	12 x 6	6 x 6



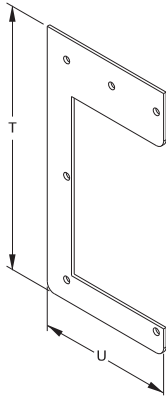
Box Connector

- Use inside box when entering with "Lay-In" Wireway.

Part No.	Size	E	G
1485BK	2.5 x 2.5	3.87	3.87
1485CK	4 x 4	5.37	5.37
1485DK	6 x 6	7.62	7.62
1485EK	8 x 8	9.62	9.62
1485FK	12 x 6	13.62	7.62

One angled sealing plate included

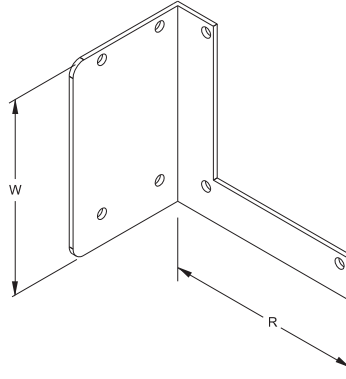
1485 Series Lay-In Wireway - NEMA 12



Drop Hanger

Part No.	Size	T	U
1485BL1	2.5 x 2.5	9.25	4.50
1485CL1	4 x 4	11.75	6.00
1485DL1	6 x 6	15.25	8.12
1485EL1	8 x 8	20.56	12.12

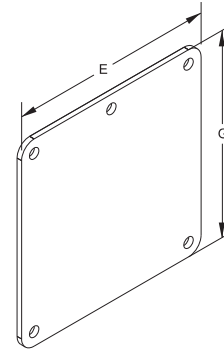
Does not meet CSA or UL requirements



Bracket Hanger

Part No.	Size	R	W
1485BL2	2.5 x 2.5	4.62	4.37
1485CL2	4 x 4	6.12	5.87
1485DL2	6 x 6	8.25	7.87
1485EL2	8 x 8	10.25	9.87

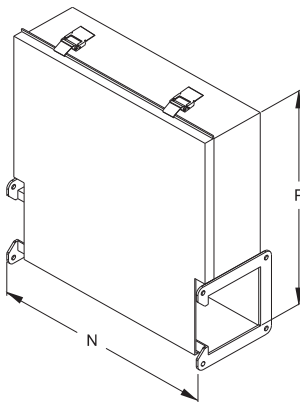
Does not meet CSA or UL requirements



Cover Plate

Part No.	Size	E	G
1485BH	2.5 x 2.5	3.87	3.87
1485CH	4 x 4	5.37	5.37
1485DH	6 x 6	7.62	7.62
1485EH	8 x 8	9.62	9.62
1485FH	12 x 6	13.62	7.62

One angled sealing plate included
Maintains ratings on CSA and UL
approved wireway



Junction Box

- Includes inner panel.

Part No.	Size	N	P	Panel Size
1485BJ	2.5 x 2.5	12.00	10.25	8.75 x 6.87
1485CJ	4 x 4	14.00	13.87	10.75 x 8.87
1485DJ	6 x 6	16.00	17.87	12.75 x 10.87
1485EJ	8 x 8	18.00	21.87	14.75 x 12.87

One flat sealing plate included

Wireway & Trough

Lay-In Wireway

1486 Series Wiring Trough - NEMA 12



Wireway & Trough

Application

- Designed to enclose and protect multiple wiring junctions from dirt, dust, oil and water.

Standards

- UL 870 Type 1
- CSA Type 1
- **Complies with**
 - NEMA Type 12
 - JIC EGP-1-1967
 - JIC EMP-1-1967
 - IEC 60529, IP54

Construction

- Formed 14 gauge steel.
- Smooth continuously welded seams.
- Butt hinged cover is secured with easily operated screw clamps.
- Oil resistant gaskets are permanently secured.
- 12 gauge external mounting feet are welded to the back.

Finish

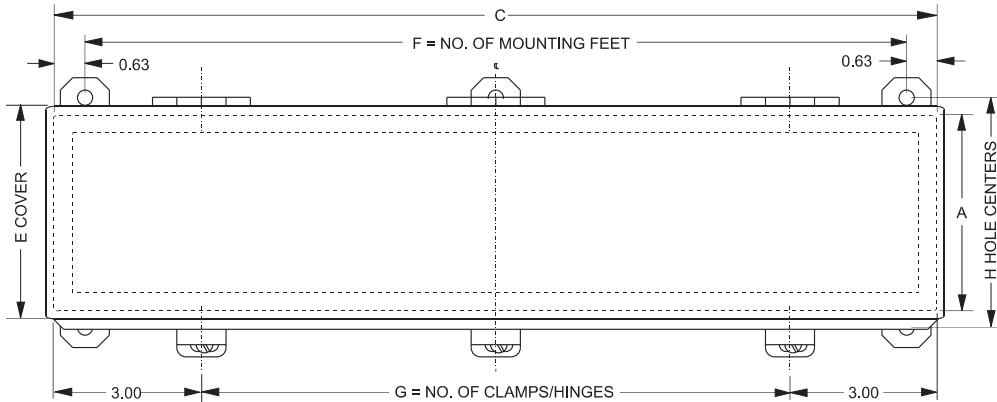
- Troughs and covers are finished in ANSI 61 gray powder coating.

Wiring Trough

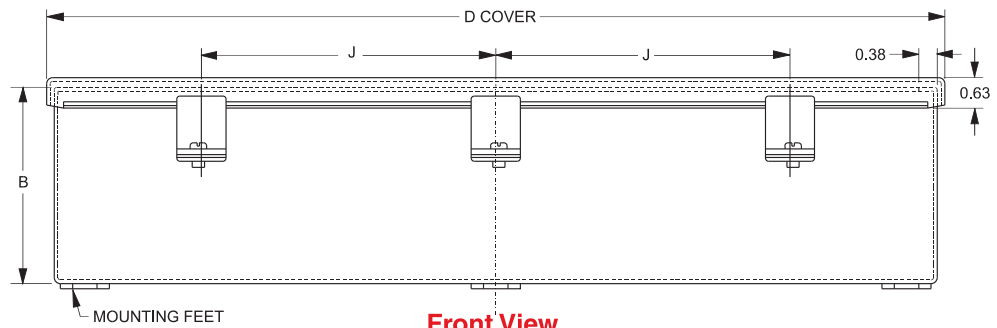
1486 Series Wiring Trough - NEMA 12

Wiringway & Trough

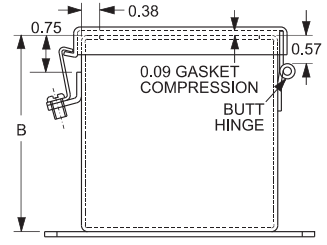
Wiring Trough



Top View



Front View



End View

Part No.	Length		Cover Size			F	G	H	J	Ship Wt. lbs.
	A	B	C	D	E					
1486B12	2.5	2.5	12	12.31	2.84	2	2	3.19	6.00	3
1486B18	2.5	2.5	18	18.31	2.84	2	2	3.19	12.00	5
1486B24	2.5	2.5	24	24.31	2.84	2	3	3.19	9.00	6
1486B30	2.5	2.5	30	30.31	2.84	2	3	3.19	12.00	9
1486B36	2.5	2.5	36	36.31	2.84	2	3	3.19	15.00	10
1486B48	2.5	2.5	48	48.31	2.84	2	3	3.19	21.00	13
1486B60	2.5	2.5	60	60.31	2.84	3	4	3.19	18.00	16
1486B72	2.5	2.5	72	72.31	2.84	3	4	3.19	22.00	19
1486C12	4.0	4.0	12	12.31	4.34	2	2	4.69	6.00	6
1486C18	4.0	4.0	18	18.31	4.34	2	2	4.69	12.00	8
1486C24	4.0	4.0	24	24.31	4.34	2	3	4.69	9.00	10
1486C30	4.0	4.0	30	30.31	4.34	2	3	4.69	12.00	13
1486C36	4.0	4.0	36	36.31	4.34	2	3	4.69	15.00	16
1486C48	4.0	4.0	48	48.31	4.34	2	3	4.69	21.00	20
1486C60	4.0	4.0	60	60.31	4.34	3	4	4.69	18.00	25
1486C72	4.0	4.0	72	72.31	4.34	3	4	4.69	22.00	30
1486D12	6.0	6.0	12	12.31	6.34	2	2	6.69	6.00	9
1486D18	6.0	6.0	18	18.31	6.34	2	2	6.69	12.00	16
1486D24	6.0	6.0	24	24.31	6.34	2	3	6.69	9.00	16
1486D30	6.0	6.0	30	30.31	6.34	2	3	6.69	12.00	19
1486D36	6.0	6.0	36	36.31	6.34	2	3	6.69	15.00	23
1486D48	6.0	6.0	48	48.31	6.34	2	3	6.69	21.00	29
1486D60	6.0	6.0	60	60.31	6.34	3	4	6.69	18.00	32
1486D72	6.0	6.0	72	72.31	6.34	3	4	6.69	22.00	43

Technical references and CAD downloads available at www.hammondmfg.com

All dimensions in inches unless specified otherwise

Quality Products. Service Excellence.

1487 Series Pull Through Wireway - NEMA 12



Wireway & Trough

Application

- Designed to enclose and protect electrical wiring from dirt, dust, oil and water.
- Ideal for connecting machines to control panels or power sources.

Standards

- UL 870 Type 1 (unless marked¹)
- CSA Type 1 (unless marked¹)
- **Complies with**
 - NEMA Type 12
 - JIC EMP-1-1967
 - JIC EGP-1-1967
 - IEC 60529, IP54

Construction

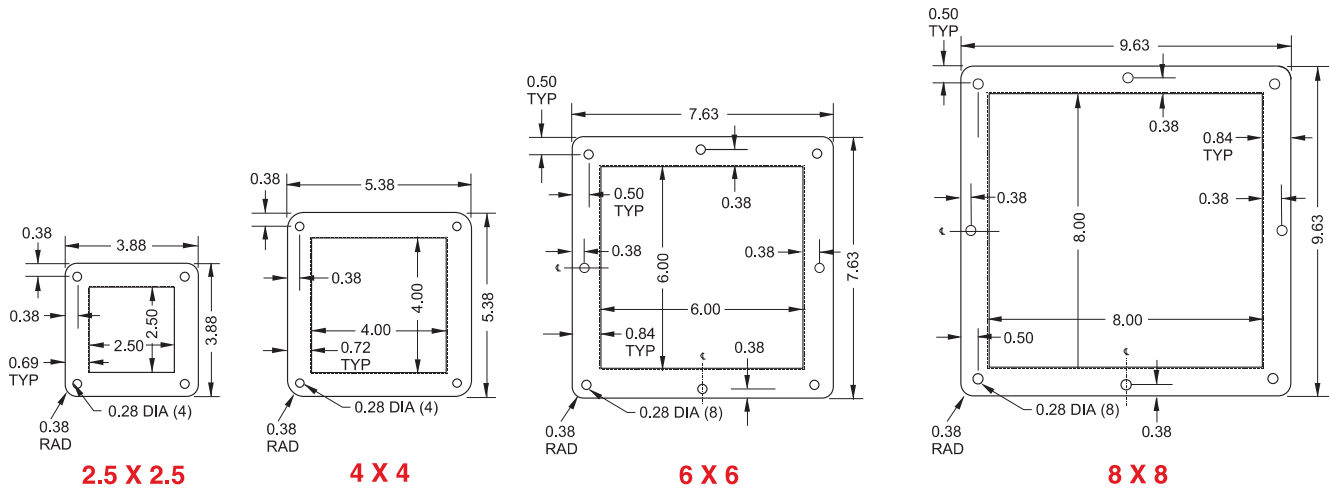
- Bodies and covers are formed from 14 gauge steel with 10 gauge steel flanges.
- Smooth continuously welded seams.
- Interior surfaces are smooth to prevent wire damage during installation.
- Butt hinged covers are secured with easily operated screw clamps.
- Oil resistant gaskets are permanently secured.
- Solid oil resistant gaskets are used between flanges when sections and fittings are bolted together.
- One gasket kit, complete with hardware is provided with each straight section or fitting.

Finish

- Sections and fittings are finished in ANSI 61 gray.

Pull Through Wireway

1487 Series Pull Through Wireway - NEMA 12



Description	2.5 x 2.5 Part No.	4 x 4 Part No.	6 x 6 Part No.	8 x 8 Part No.
12" Section	1487B12	1487C12	1487D12	1487E12
24" Section	1487B24	1487C24	1487D24	1487E24
36" Section	1487B36	1487C36	1487D36	1487E36
48" Section	1487B48	1487C48	1487D48	1487E48
60" Section	1487B60	1487C60	1487D60	1487E60
120" Section	1487B120	1487C120	1487D120	1487E120
60" Long Partition (Barrier)	—	1487CB60 ¹	1487DB60 ¹	1487EB60 ¹
1" Nipple	1487BM1	1487CM1	1487DM1	1487EM1
2" Nipple	1487BM2	1487CM2	1487DM2	1487EM2
3" Nipple	1487BM3	1487CM3	1487DM3	1487EM3
6" Nipple	1487BM6	1487CM6	1487DM6	1487EM6
Box Entry Swivel Nipple	1487BV1	1487CV1	1487DV1	1487EV1
Standard Swivel Nipple	1487BV2	1487CV2	1487DV2	1487EV2
Flexible Fitting	1485BFF ¹	1485CFF ¹	1485DFF ¹	1485EFF ¹
Adjustable Fitting	1487BX ¹	1487CX ¹	1487DX ¹	1487EX ¹
Cut-Off Fitting	1487BW ¹	1487CW ¹	1487DW ¹	1487EW ¹
90° Elbow	1487B9P	1487C9P	1487D9P	1487E9P
45° Elbow	1487B4P	1487C4P	1487D4P	1487E4P
22.5° Elbow	1487B2P	1487C2P	1487D2P	1487E2P
Tee Fitting	1487BT	1487CT	1487DT	1487ET
Cross Fitting	1487BY	1487CY	1487DY	1487EY
Center Hole Reducers				
Reducer - 4 x 4 to 2.5 x 2.5	—	1487CRC ²	—	—
Reducer - 6 x 6 to 4 x 4	—	—	1487DRC ²	—
Reducer - 8 x 8 to 4 x 4	—	—	—	1487ERCC ²
Reducer - 8 x 8 to 6 x 6	—	—	—	1487ERCD ²
Edge Hole Reducers				
Reducer 4 x 4 to 2.5 x 2.5	—	1487CRE ²	—	—
Reducer 6 x 6 to 4 x 4	—	—	1487DRE ²	—
Reducer 8 x 8 to 4 x 4	—	—	—	1487EREC ²
Reducer 8 x 8 to 6 x 6	—	—	—	1487ERED ²
Box Connector	1487BK ¹	1487CK ¹	1487DK ¹	1487EK ¹
Drop Hanger	1485BL1 ¹	1485CL1 ¹	1485DL1 ¹	1485EL1 ¹
Bracket Hanger	1485BL2 ¹	1485CL2 ¹	1485DL2 ¹	1485EL2 ¹
Cover Plate	1487BH ²	1487CH ²	1487DH ²	1487EH ²
Gasket & Screws	1487BS ¹	1487CS ¹	1487DS ¹	1487ES ¹

¹ Does not meet CSA or UL requirements

² Maintains ratings on CSA and UL approved wireway

Technical references and CAD downloads available at www.hammondmfg.com

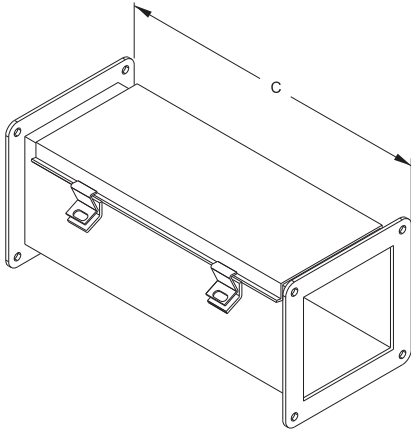
All dimensions in inches unless specified otherwise

Wireway & Trough

Pull Through Wireway

1487 Series Pull Through Wireway - NEMA 12

Typical Straight Section

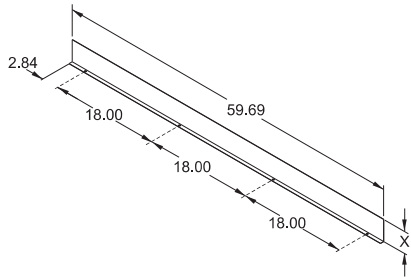


C=12"	C=24"	C=36"	C=48"	C=60"	C=120"	Size
Section Part No.	Section Part No.	Section Part No.	Section Part No.	Section Part No.	Section Part No.	
1487B12	1487B24	1487B36	1487B48	1487B60	1487B120	2.5 x 2.5
1487C12	1487C24	1487C36	1487C48	1487C60	1487C120	4 x 4
1487D12	1487D24	1487D36	1487D48	1487D60	1487D120	6 x 6
1487E12	1487E24	1487E36	1487E48	1487E60	1487E120	8 x 8

One flat sealing plate included

Partition (Barrier) Kit

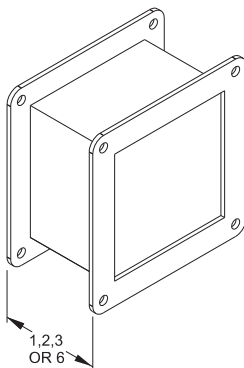
- Divides wireway into two or more compartments. Barriers are fastened to wireway sections with screws.



Part No.	Size	X
1487CB60	4 x 4	3.72
1487DB60	6 x 6	5.72
1487EB60	8 x 8	7.72

Does not meet CSA or UL requirements

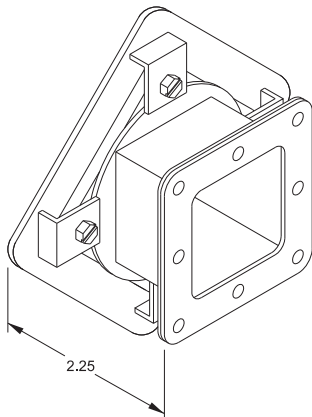
Typical Nipple



1" Nipple Part No.	2" Nipple Part No.	3" Nipple Part No.	6" Nipple Part No.	Size
1487BM1	1487BM2	1487BM3	1487BM6	2.5 x 2.5
1487CM1	1487CM2	1487CM3	1487CM6	4 x 4
1487DM1	1487DM2	1487DM3	1487DM6	6 x 6
1487EM1	1487EM2	1487EM3	1487EM6	8 x 8

One flat sealing plate included

Box Entry or Standard Swivel Nipple



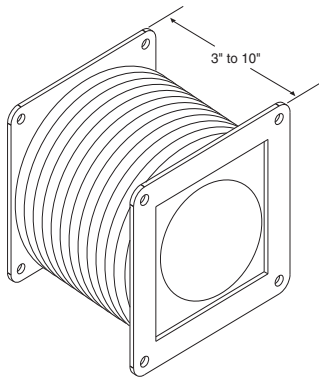
Box Entry Swivel Nipple Part No.	Standard Swivel Nipple Part No.	Size
1487BV1 ¹	1487BV2 ²	2.5 x 2.5
1487CV1 ¹	1487CV2 ²	4 x 4
1487DV1 ¹	1487DV2 ²	6 x 6
1487EV1 ¹	1487EV2 ²	8 x 8

Technical references and CAD downloads available at www.hammondmfg.com

All dimensions in inches unless specified otherwise

Quality Products. Service Excellence.

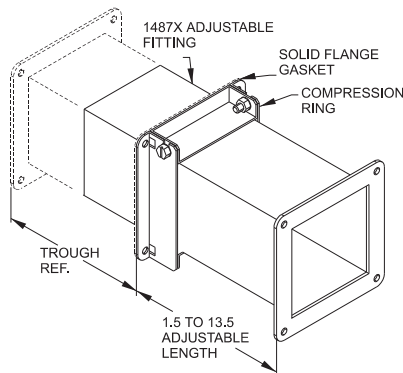
1487 Series Pull Through Wireway - NEMA 12



Flexible Fitting

- Allows for easy alignment of sections or fittings
- Metal flanges
- Flexible synthetic "bellows" middle section

Part No.	A	B
1485BFF	2.5	2.5
1485CFF	4	4
1485DFF	6	6
1485EFF	8	8

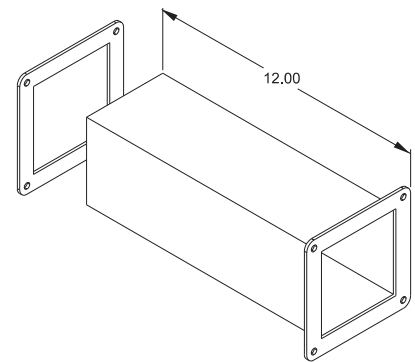


Adjustable Fitting

- Allows on site length adjustment of 1.5" to 13.5"

Part No.	Size
1487BX	2.5 x 2.5
1487CX	4 x 4
1487DX	6 x 6
1487EX	8 x 8

Does not meet CSA or UL requirements

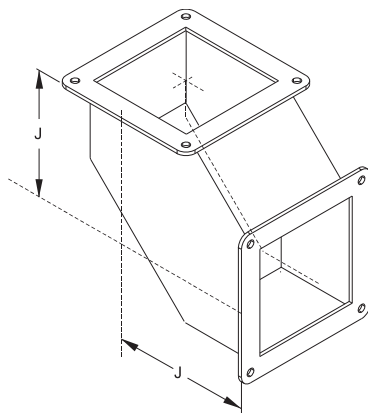


Cut-Off Fitting (Lay-In)

- Body comes in two pieces. Cut-off one piece, shorten cover, and weld together.
- Includes angle sealing plate.

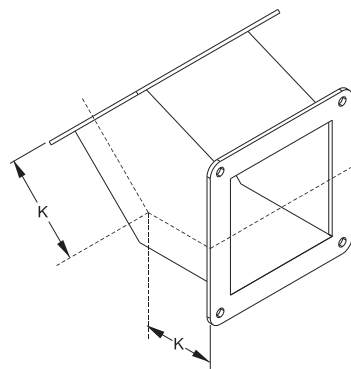
Part No.	Size
1487BW	2.5 x 2.5
1487CW	4 x 4
1487DW	6 x 6
1487EW	8 x 8

Does not meet CSA or UL requirements



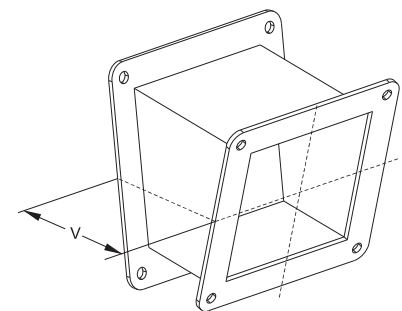
90° Elbow

Part No.	Size	J
1487B9P	2.5 x 2.5	4.25
1487C9P	4 x 4	5.00
1487D9P	6 x 6	6.00
1487E9P	8 x 8	7.00



45° Elbow

Part No.	Size	K
1487B4P	2.5 x 2.5	1.98
1487C4P	4 x 4	2.42
1487D4P	6 x 6	3.00
1487E4P	8 x 8	3.62



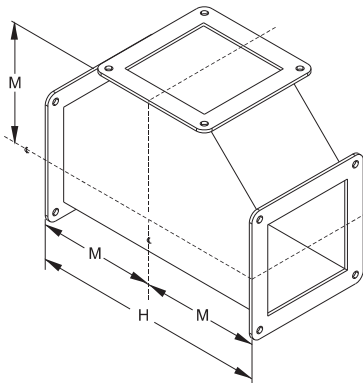
22.5° Elbow

Part No.	Size	V
1487B2P	2.5 x 2.5	3.18
1487C2P	4 x 4	3.75
1487D2P	6 x 6	4.43
1487E2P	8 x 8	5.12

Wireway & Trough

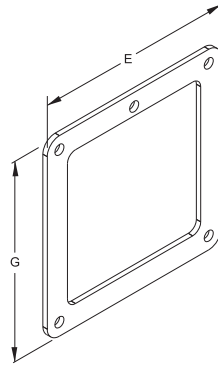
Pull Through Wireway

1487 Series Pull Through Wireway - NEMA 12

Wireway & Trough


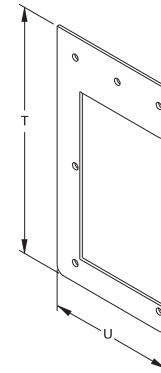
Tee Fitting

Part No.	Size	H	M
1487BT	2.5 x 2.5	8.50	4.25
1487CT	4 x 4	10.00	5.00
1487DT	6 x 6	12.00	6.00
1487ET	8 x 8	14.00	7.00



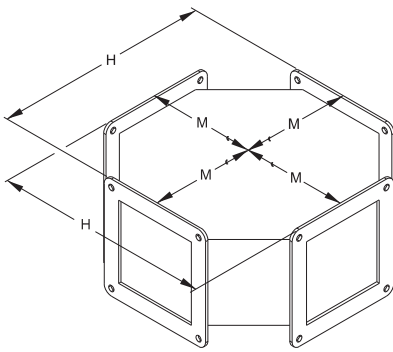
Box Connector

Part No.	Size	E	G
1487BK	2.5 x 2.5	3.87	3.87
1487CK	4 x 4	5.37	5.37
1487DK	6 x 6	7.62	7.62
1487EK	8 x 8	9.62	9.62



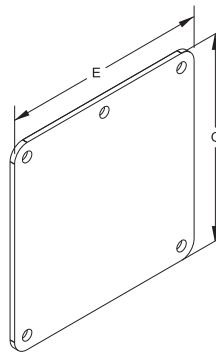
Drop Hanger

Part No.	Size	T	U
1485BL1	2.5 x 2.5	9.25	4.50
1485CL1	4 x 4	11.75	6.00
1485DL1	6 x 6	15.25	8.12
1485EL1	8 x 8	20.56	12.12

Pull Through Wireway


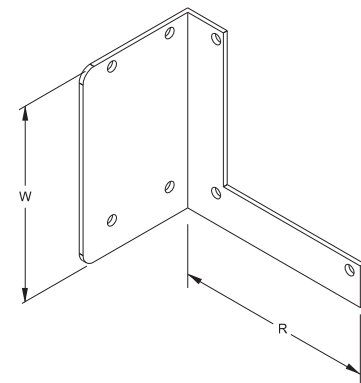
Cross Fitting

Part No.	Size	H	M
1487BY	2.5 x 2.5	8.50	4.25
1487CY	4 x 4	10.00	5.00
1487DY	6 x 6	12.00	6.00
1487EY	8 x 8	14.00	7.00



Cover Plate

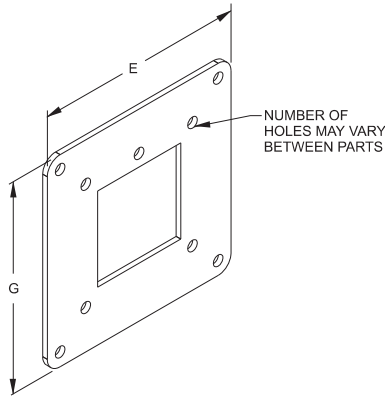
Part No.	Size	E	G
1487BH	2.5 x 2.5	3.87	3.87
1487CH	4 x 4	5.37	5.37
1487DH	6 x 6	7.62	7.62
1487EH	8 x 8	9.62	9.62



Bracket Hanger

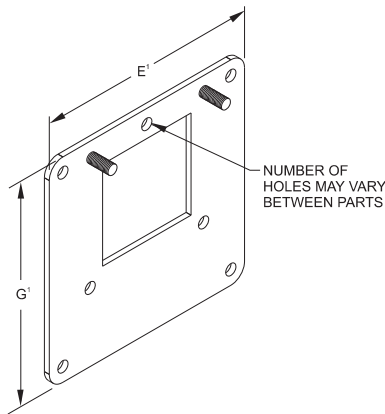
Part No.	Size	R	W
1485BL2	2.5 x 2.5	4.62	4.37
1485CL2	4 x 4	6.12	5.87
1485DL2	6 x 6	8.25	7.87
1485EL2	8 x 8	10.25	9.87

1487 Series Pull Through Wireway - NEMA 12



Reducers (Center Hole)

Part No.	Reduces from	to	E	G
1487CRC	4 x 4	2.5 x 2.5	5.37	5.37
1487DRC	6 x 6	4 x 4	7.62	7.62
1487ERCC	8 x 8	4 x 4	9.62	9.62
1487ERCD	8 x 8	6 x 6	9.62	9.62



Reducers (Edge Hole)

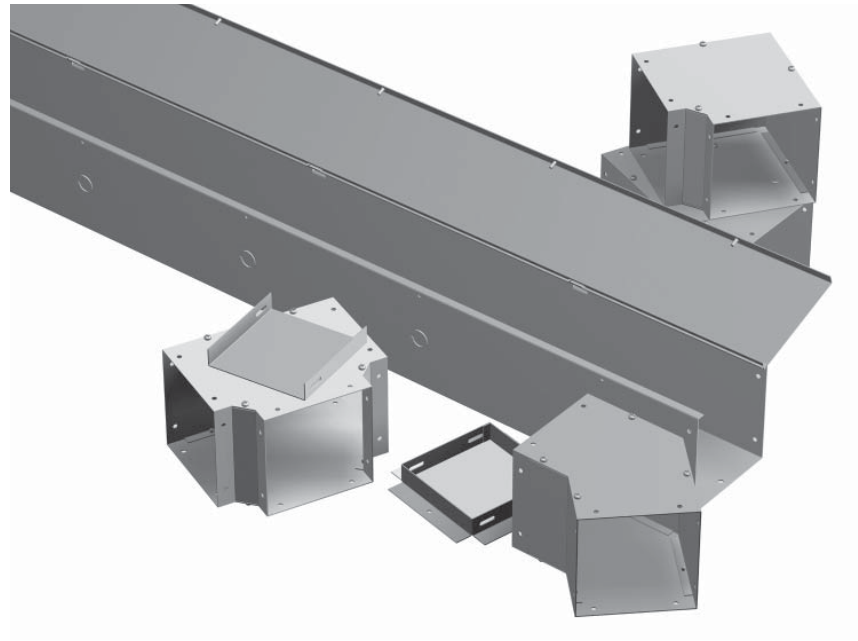
Part No.	Reduces from	to	E	G
1487CRE	4 x 4	2.5 x 2.5	5.37	5.37
1487DRE	6 x 6	4 x 4	7.62	7.62
1487EREC	8 x 8	4 x 4	9.62	9.62
1487ERED	8 x 8	6 x 6	9.62	9.62

Wireway & Trough

Pull Through Wireway

Lay In Wireway

NEMA 1



Wireway & Trough

Application

- Construction designed to ensure electrical continuity and to permit fast and easy indoor installation of multiple wireway runs.

Standards

- UL-50 Type 1
- cUL Type 1
- Complies with
 - IEC 60529, IP20

Construction - Screw Cover

- Formed from 16 or 14 gauge steel
- Flat covers have keyhole screw slots
- Straight sections do not have knockouts
- Unobstructed interior speeds up laying of cables
- Optional hanger brackets allow for vertical or horizontal mounting
- Joiners sold separately

Finish

- Sections and components are finished in ANSI 61 gray.
- Couplings are unpainted galvanized.

Construction - Hinge Cover

- Formed from 16 or 14 gauge steel
- Hinge covers are hinged on 24" centers
- Straight sections are provided with adequate concentric knockouts (1/2", 3/4" conduit size) except part numbers ending in NK
- Knockouts are on 12" centers
- Joiner is included with each straight section
- Unobstructed interior speeds up laying of cables
- Optional hanger brackets allow for vertical or horizontal mounting

Lay-In Wireway

Lay In Wireway NEMA 1

Wireway & Trough
Lay-In Wireway

Screw Cover	2.5 x 2.5	4 x 4	6 x 6	8 x 8	10 x 10	12 x 12
Straight Section 12"	CWSC212NK	CWSC412NK	CWSC612NK	CWSC812NK	CWSC1012NK	CWSC1212NK
Straight Section 18"	-	CWSC418NK	CWSC618NK	CWSC818NK	-	-
Straight Section 24"	CWSC224NK	CWSC424NK	CWSC624NK	CWSC824NK	CWSC1024NK	CWSC1224NK
Straight Section 36"	CWSC236NK	CWSC436NK	CWSC636NK	CWSC836NK	CWSC1036NK	CWSC1236NK
Straight Section 48"	CWSC248NK	CWSC448NK	CWSC648NK	CWSC848NK	CWSC1048NK	CWSC1248NK
Straight Section 60"	CWSC260NK	CWSC460NK	CWSC660NK	CWSC860NK	CWSC1060NK	CWSC1260NK
Straight Section 72"	-	CWSC472NK	CWSC672NK	CWSC872NK	CWSC1072NK	CWSC1272NK
Straight Section 96"	-	-	-	-	CWSC1096NK	CWSC1296NK
Straight Section 120"	CWSC2120NK	CWSC4120NK	CWSC6120NK	CWSC8120NK	CWSC10120NK	CWSC12120NK
Hinge Cover	2.5 x 2.5	4 x 4	6 x 6	8 x 8	10 x 10	12 x 12
Straight Section 12"	CWST212	CWST412	CWST612	CWST812	CWST1012NK	CWST1212NK
Straight Section 18"	-	CWST418NK	CWST618NK	CWST818NK	-	-
Straight Section 24"	CWST224	CWST424	CWST624	CWST824	CWST1024NK	CWST1224NK
Straight Section 36"	CWST236	CWST436	CWST636	CWST836	CWST1036NK	CWST1236NK
Straight Section 48"	CWST248	CWST448	CWST648	CWST848	CWST1048NK	CWST1248NK
Straight Section 60"	CWST260	CWST460	CWST660	CWST860	CWST1060NK	CWST1260NK
Straight Section 72"	CWST272	CWST472	CWST672	CWST872	CWST1072NK	CWST1272NK
Straight Section 96"	CWST296	CWST496	CWST696	CWST896	CWST1096NK	CWST1296NK
Straight Section 120"	CWST2120	CWST4120	CWST6120	CWST8120	CWST10120NK	CWST12120NK
Accessories	2.5 x 2.5	4 x 4	6 x 6	8 x 8	10 x 10	12 x 12
Straight Section Barrier 60"	CWBA260	CWBA460	CWBA660	CWBA860	-	-
Elbow 90 degrees	CWEL290	CWEL490	CWEL690	CWEL890	CWEL1090	CWEL1290
Elbow 45 degrees	CWEL245	CWEL445	CWEL645	CWEL845	CWEL1045	CWEL1245
Elbow 22.5 degrees	CWEL222	CWEL422	CWEL622	CWEL822	-	-
Tee Fitting	CWTF2	CWTF4	CWTF6	CWTF8	CWTF10	CWTF12
Cross Fitting	CWCF2	CWCF4	CWCF6	CWCF8	CWCF10	CWCF12
Reducer 4 x 4 to 2.5 x 2.5	-	CWRD42	-	-	-	-
Reducer 6 x 6 to 4 x 4	-	-	CWRD64	-	-	-
Reducer 8 x 8 to 6 x 6	-	-	-	CWRD86	-	-
Reducer 10 x 10 to 8 x 8	-	-	-	-	CWRD108	-
Reducer 12 x 12 to 8 x 8	-	-	-	-	-	CWRD128
Reducer 12 x 12 to 10 x 10	-	-	-	-	-	CWRD1210
Corner Reducer 4 x 4 to 2.5 x 2.5	-	CWCRD42	-	-	-	-
Corner Reducer 6 x 6 to 4 x 4	-	-	CWCRD64	-	-	-
Corner Reducer 8 x 8 to 6 x 6	-	-	-	CWCRD86	-	-
Bracket Hanger Ceiling Type	CWHD2	CWHD4	CWHD6	CWHD8	CWHD10	CWHD12
Bracket Hanger Wall Type	CWHW2	CWHW4	CWHW6	CWHW8	CWHW10	CWHW12
Closing Plate	CWCP2	CWCP4	CWCP6	CWCP8	CWCP10	CWCP12
Adapter (Box Connector)	CWAD2	CWAD4	CWAD6	CWAD8	CWAD10	CWAD12
Joiner	CWJO2	CWJO4	CWJO6	CWJO8	CWJO10	CWJO12
Telescope Fitting	CWTL2	CWTL4	CWTL6	CWTL8	CWTL10	CWTL12

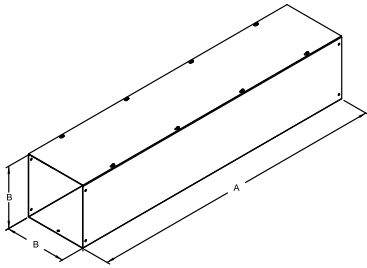
 Technical references and CAD downloads available at www.hammondmfg.com

All dimensions in inches unless specified otherwise

Quality Products. Service Excellence.

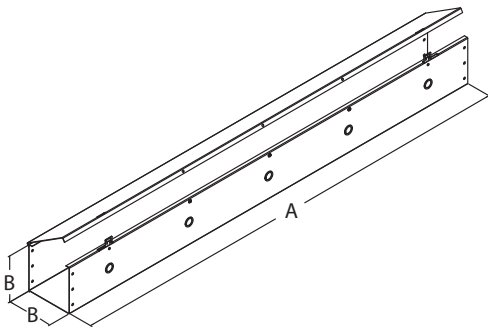
Lay In Wireway

NEMA 1



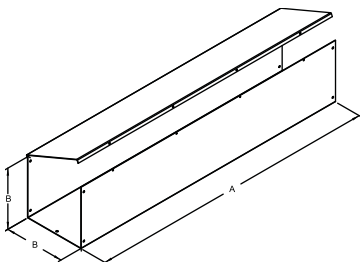
Straight Section - Screw Cover w/o Knockouts

A=12"	A=18"	A=24"	A=36"	A=48"	A=60"	A=72"	A=96"	A=120"	B
CWSC212NK	-	CWSC224NK	CWSC236NK	CWSC248NK	CWSC260NK	-	-	CWSC2120NK	2.50
CWSC412NK	CWSC418NK	CWSC424NK	CWSC436NK	CWSC448NK	CWSC460NK	CWSC472NK	-	CWSC4120NK	4.00
CWSC612NK	CWSC618NK	CWSC624NK	CWSC636NK	CWSC648NK	CWSC660NK	CWSC672NK	-	CWSC6120NK	6.00
CWSC812NK	CWSC818NK	CWSC824NK	CWSC836NK	CWSC848NK	CWSC860NK	CWSC872NK	-	CWSC8120NK	8.00
CWSC1012NK	-	CWSC1024NK	CWSC1036NK	CWSC1048NK	CWSC1060NK	CWSC1072NK	CWSC1096NK	CWSC10120NK	10.00
CWSC1212NK	-	CWSC1224NK	CWSC1236NK	CWSC1248NK	CWSC1260NK	CWSC1272NK	CWSC1296NK	CWSC12120NK	12.00



Straight Section - Hinge Cover with Knockouts

A=12"	A=24"	A=36"	A=48"	A=60"	A=72"	A=96"	A=120"	B
CWST212	CWST224	CWST236	CWST248	CWST260	CWST272	CWST296	CWST2120	2.5
CWST412	CWST424	CWST436	CWST448	CWST460	CWST472	CWST496	CWST4120	4
CWST612	CWST624	CWST636	CWST648	CWST660	CWST672	CWST696	CWST6120	6
CWST812	CWST824	CWST836	CWST848	CWST860	CWST872	CWST896	CWST8120	8



Straight Section - Hinge Cover w/o Knockouts

A=12"	A=18"	A=24"	A=36"	A=48"	A=60"	A=72"	A=96"	A=120"	B
-	CWST418NK	-	-	-	-	-	-	-	4.00
-	CWST618NK	-	-	-	-	-	-	-	6.00
-	CWST818NK	-	-	-	-	-	-	-	8.00
CWST1012NK	-	CWST1024NK	CWST1036NK	CWST1048NK	CWST1060NK	CWST1072NK	CWST1096NK	CWST10120NK	10.00
CWST1212NK	-	CWST1224NK	CWST1236NK	CWST1248NK	CWST1260NK	CWST1272NK	CWST1296NK	CWST12120NK	12.00

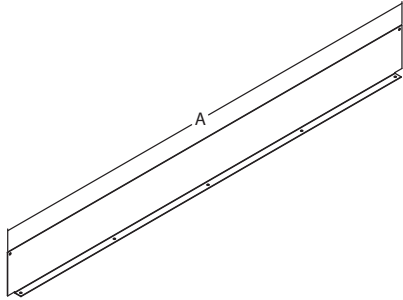
Technical references and CAD downloads available at www.hammondmfg.com

All dimensions in inches unless specified otherwise

Quality Products. Service Excellence.

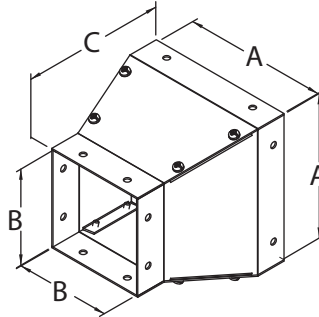
Lay In Wireway

NEMA 1



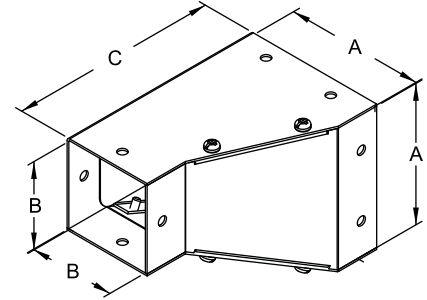
Straight Section Barrier

Part No.	A	B
CWBA260	58.88	2.5
CWBA460	58.88	4
CWBA660	58.88	6
CWBA860	58.88	8



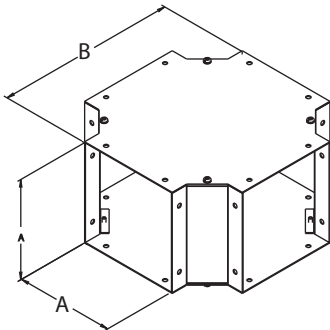
Reducer

Part No.	Size	A	B	C
CWRD42	4x4 to 2.5x2.5	4	2.5	6
CWRD64	6x6 to 4x4	6	4	6
CWRD86	8x8 to 6x6	8	6	6
CWRD108	10x10 to 8x8	10	8	6
CWRD128	12x12 to 8x8	12	8	6
CWRD1210	12x12 to 10x10	10	10	6



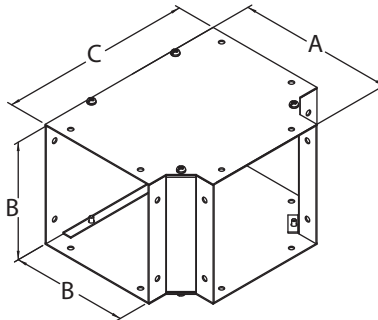
Corner Reducer

Part No.	Size	A	B	C
CWCRD42	4x4 to 2.5x2.5	4	2.5	6
CWCRD64	6x6 to 4x4	6	4	6
CWCRD86	8x8 to 6x6	8	6	6



Cross Fitting

Part No.	A	B
CWCF2	2.5	7.5
CWCF4	4	9
CWCF6	6	11
CWCF8	8	13
CWCF10	10	15
CWCF12	12	17



Tee Fitting

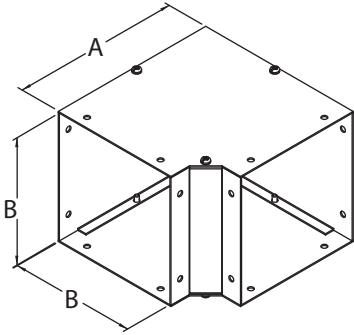
Part No.	A	B	C
CWTF2	4.5	2.5	6.386
CWTF4	6	4	7.886
CWTF6	8	6	9.886
CWTF8	10	8	11.856
CWTF10	12	10	13.856
CWTF12	14	12	15.856

Wireway & Trough

Lay-In Wireway

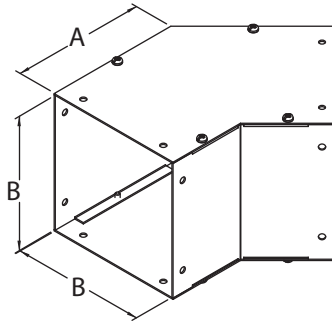
Lay In Wireway

NEMA 1

Wireway & Trough


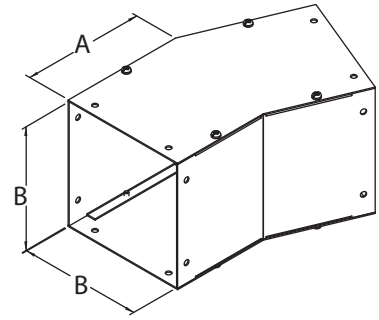
Elbow 90°

Part No.	A	B
CWEL290	4.5	2.5
CWEL490	6	4
CWEL690	8	6
CWEL890	10	8
CWEL1045	10	10
CWEL1245	12	12



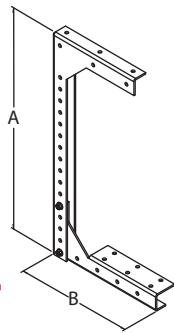
Elbow 45°

Part No.	A	B
CWEL245	2.5	2.5
CWEL445	4	4
CWEL645	6	6
CWEL845	8	8
CWEL1090	12	10
CWEL1290	14	12



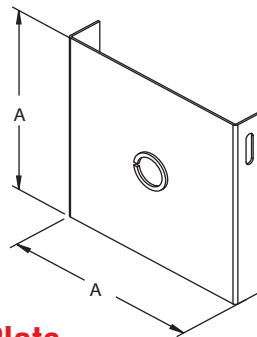
Elbow 22.5°

Part No.	A	B
CWEL222	2.5	2.5
CWEL422	4	4
CWEL622	6	6
CWEL822	8	8

Lay-In Wireway


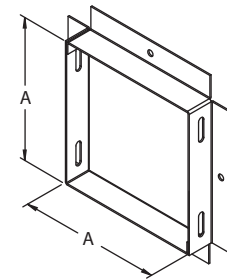
Bracket Hanger Ceiling Type

Part No.	A (max.)	B
CWHD2	12	6.625
CWHD4	15	8.125
CWHD6	19	10.125
CWHD8	23	12.125
CWHD10	27	14.125
CWHD12	31	16.125



Closing Plate

Part No.	A	Knockout
CWCP2	2.4	1.75
CWCP4	3.9	1.75
CWCP6	5.9	1.75
CWCP8	7.9	1.75
CWCP10	9.9	1.75
CWCP12	11.9	1.75

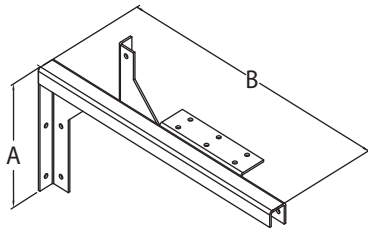


Adapter (Box Connector)

Part No.	A
CWAD2	2.4
CWAD4	3.9
CWAD6	5.9
CWAD8	7.9
CWAD10	9.9
CWAD12	11.9

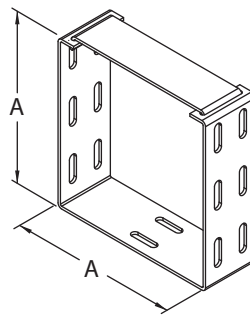
Lay In Wireway

NEMA 1



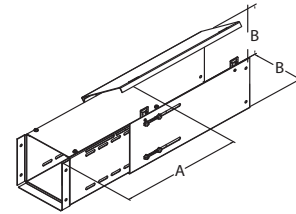
Bracket Hanger Wall Type

Part No.	A	B
CWHW2	4.625	12
CWHW4	6.125	15
CWHW6	8.125	19
CWHW8	10.125	23
CWHW10	12.125	27
CWHW12	14.125	36



Joiner

Part No.	A	Part No.	A
CWJO2	2.5	CWJO8	8.0
CWJO4	4.0	CWJO10	10
CWJO6	6.0	CWJO12	12



Telescope Fitting

Part No.	A	B
CWTL2	14	2.5
CWTL4	14	4
CWTL6	14	6
CWTL8	14	8
CWTL10	14	10
CWTL12	14	12

Wireway & Trough

Lay-In Wireway

3R Trough

NEMA 3R



Wireway & Trough



Application

- Designed for use to protect multiple wiring junctions in outdoor environments against the ingress of rain, sleet, snow and the external formation of ice.

Standards

- UL870 Type 3R
- CSA Type 3R
- **Complies with**
 - NEMA Type 3R
 - IEC 60529, IP24

Construction

- Formed and spot welded from 14 or 16 gauge galvanized steel
- Drip shield top design protects the enclosure against rain, snow or sleet
- Embossed mounting holes on back of enclosure
- Slip on removable front cover is secured with screws
- Padlocking hasp
- To fully comply with UL870 - 2008 requirements a bonding stud is provided on the cover and a ground stud is provided in the enclosure
- A #10 AWG - 12" grounding strap with crimped on ring terminals is also provided to comply with UL requirements

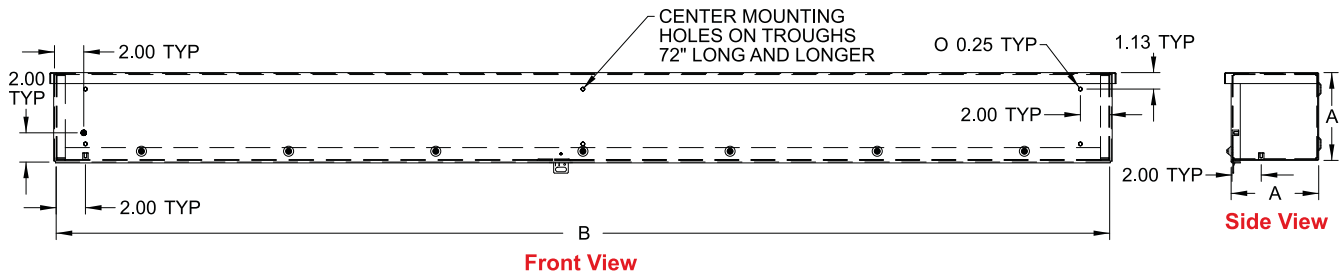
Finish

- Enclosure and cover are finished in ANSI 61 gray powder coating.

3R Trough

3R Trough

NEMA 3R



Part No.	A	B	Ship Wt. lbs.
C3RWT412	4	12	5.5
C3RWT418	4	18	6.25
C3RWT424	4	24	9
C3RWT436	4	36	12.5
C3RWT448	4	48	16
C3RWT460	4	60	19.5
C3RWT472	4	72	23
C3RWT612	6	12	8
C3RWT618	6	18	10.5
C3RWT624	6	24	13
C3RWT636	6	36	18
C3RWT648	6	48	23
C3RWT660	6	60	28
C3RWT672	6	72	33
C3RWT812	8	12	13
C3RWT824	8	24	21.5
C3RWT836	8	36	30
C3RWT848	8	48	38.5
C3RWT860	8	60	47
C3RWT872	8	72	55.5
C3RWT896	8	96	72.5
C3RWT8116	8	116	86.5
C3RWT1024	10	24	27
C3RWT1036	10	36	37.5
C3RWT1048	10	48	48
C3RWT1060	10	60	58.5
C3RWT1072	10	72	69
C3RWT1096	10	96	90
C3RWT10116	10	116	107.5
C3RWT1224	12	24	33
C3RWT1236	12	36	45.5
C3RWT1248	12	48	58
C3RWT1260	12	60	70.5
C3RWT1272	12	72	83
C3RWT1284	12	84	95.5
C3RWT1296	12	96	108
C3RWT12116	12	116	128

Wireway & Trough

3R Trough