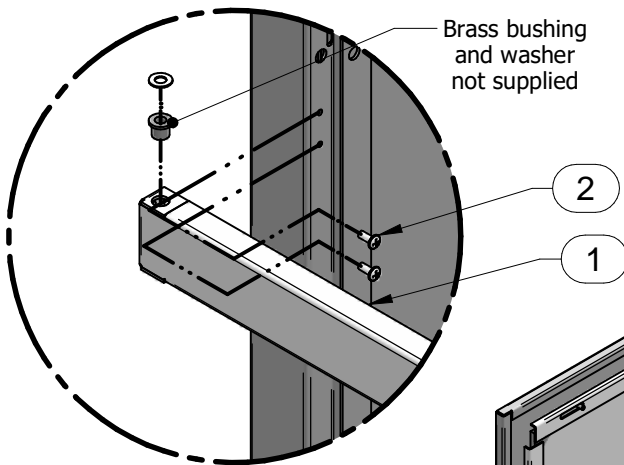


# C2 - SERIES

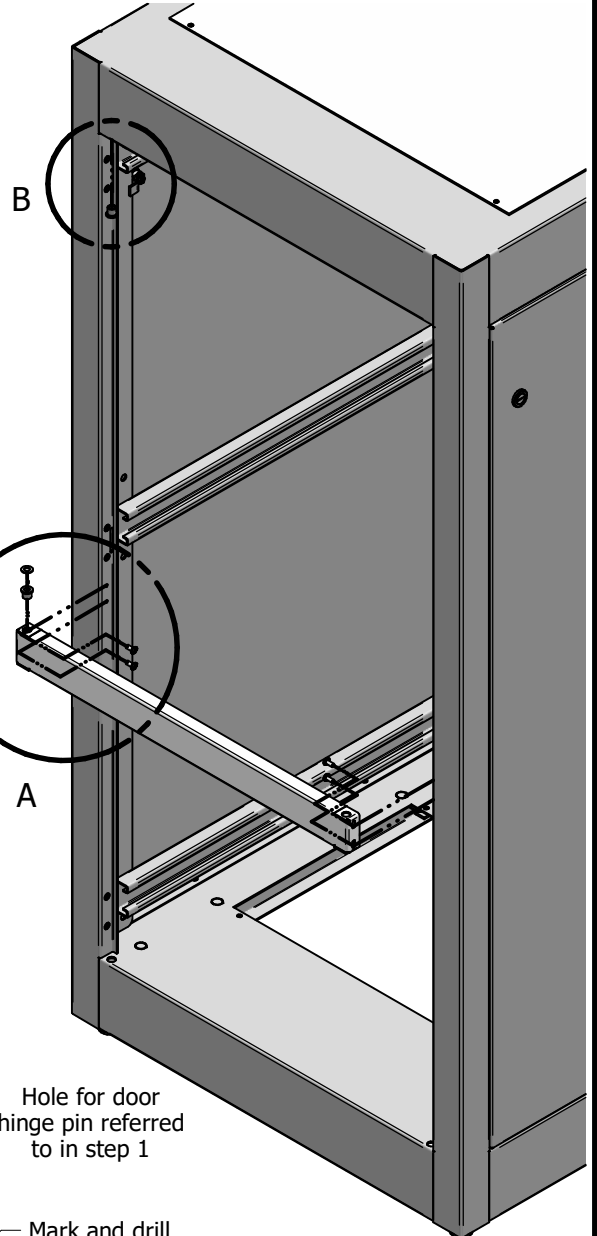
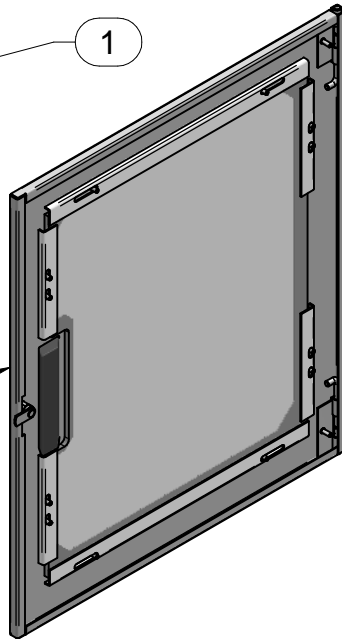
## ASSEMBLY INSTRUCTIONS FOR CPDS PARTIAL HEIGHT DOOR SUPPORT

BUL00101  
REV. C  
PAGE 1 OF 1



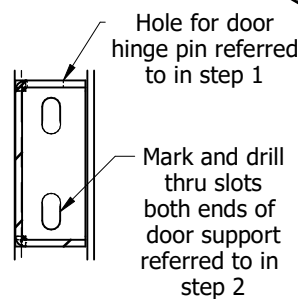
DETAIL A

Partial height door  
sold separately  
referred to in  
step 1 & 2

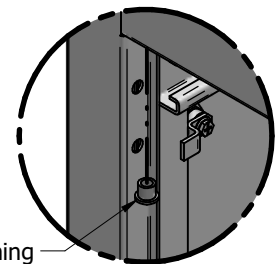


### ASSEMBLY INSTRUCTIONS:

- 1) Measure the door that is to be installed. **The door opening will be door height +0.188" (4.8mm).** The distance from the top of door opening on the rack frame to the top of partial height door support (part 1) should match this distance.
- 2) Mark, center punch and drill 4 holes (0.136" (3.5mm) dia) same centers as door support ends, into each side of the doorframe as shown. Fasten using #8 self tapping screws (part 2).
- 3) Insert brass bushing into top of partial height door support and top of door opening on the frame as shown. Mount door by inserting spring loaded hinge pins into these bushings, add spacer washers to bottom pin if necessary.



SECTION C-C



DETAIL B

PARTS LIST		
ITEM No.	DESCRIPTION	QTY
1	DOOR SUPPORT	1
2	#8 X 5/8 SELF TAPPING SCREW	4

#### TOOL BOX



Pencil



Center Punch



Electric Drill .136" (3.5 mm) Dia. Bit



#2 Phillips Head Screw Driver



Hammer



Tape Measure



**HAMMOND**  
**MANUFACTURING™**  
ELECTRONICS GROUP

visit our website @ [www.hammondmfg.com](http://www.hammondmfg.com)