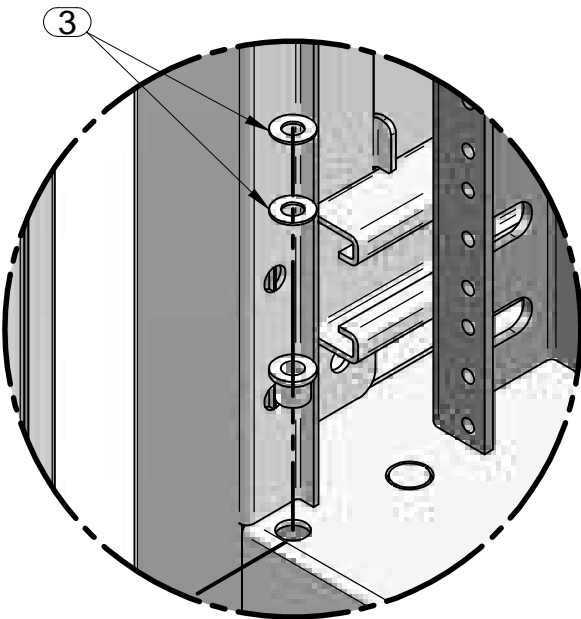
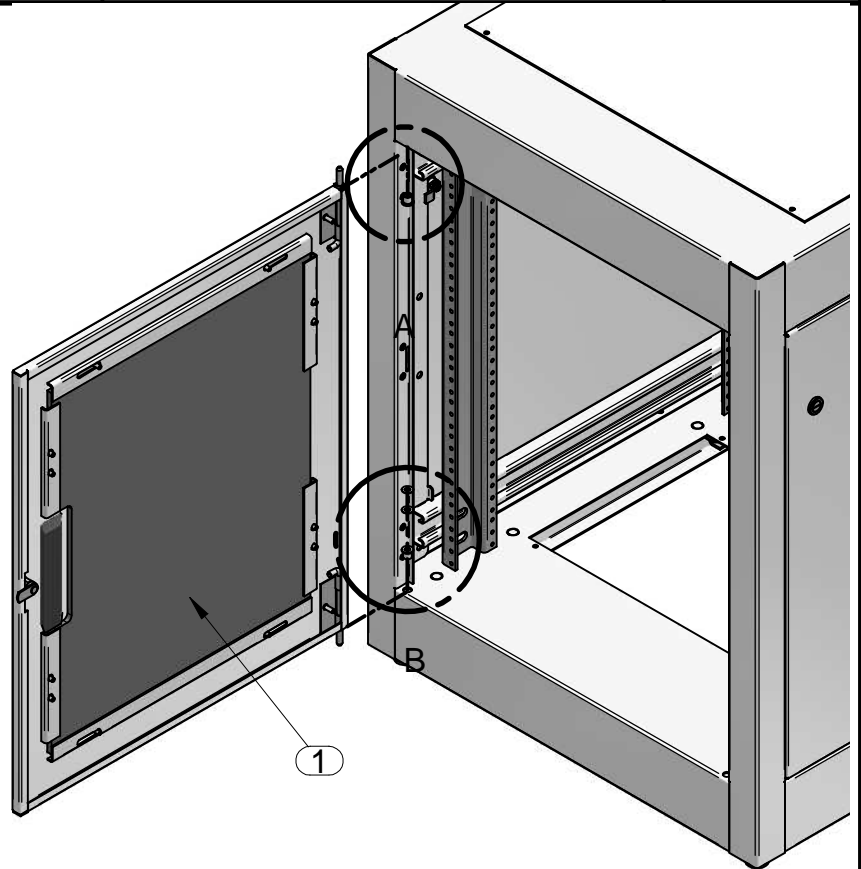


DETAIL A



DETAIL B

### ASSEMBLY INSTRUCTIONS:

- A) Assemble brass bushing (item 2) in top and bottom of rack. (Detail A & B)
- B) Locate door (item 1) into the appropriate hole in left side of rack frame by means of spring loaded hinge, insuring spacer washers (item 3) are on the bottom pin as required. (Detail B)
- C) On lock side of door, cam latches in slot on door frame.

Note: Flush door can be mounted on left or right side of door frame.

### PARTS LIST

ITEM No.	DESCRIPTION	QTY
1	DOOR C/W HINGES AND LATCH INSTALLED	1
2	BRASS BUSHING	2
3	SPACER WASHER	2

TOOL BOX



Hammer

