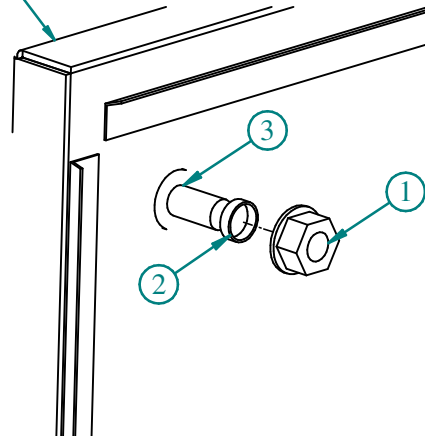


DOOR CLOSING MECHANISMS FOR SQUARE D, ALLEN BRADLEY (1494 V), I.T.E. MAX FLEX, CUTLER HAMMER (C361,C371) & GE, NEMA 12 ENCLOSURES.

FIGURE 1

(FIGURE 1) ASSEMBLY IN SEQUENCE: ENCLOSURE DOOR

- (A) For Square D & Allen Bradley use sleeve and locknut supplied with the enclosure. For I.T.E, Cutler Hammer & GE use lock nut only (Discard sleeve)
- (B) Assemble all other parts as per installation instructions supplied by the hardware manufacturer. Discard pivot post assemblies.
- (C) Install roller latch plate with or without the sleeve. Tighten flanged locknut, then back off 1/8 turn to allow roller plate to swivel.

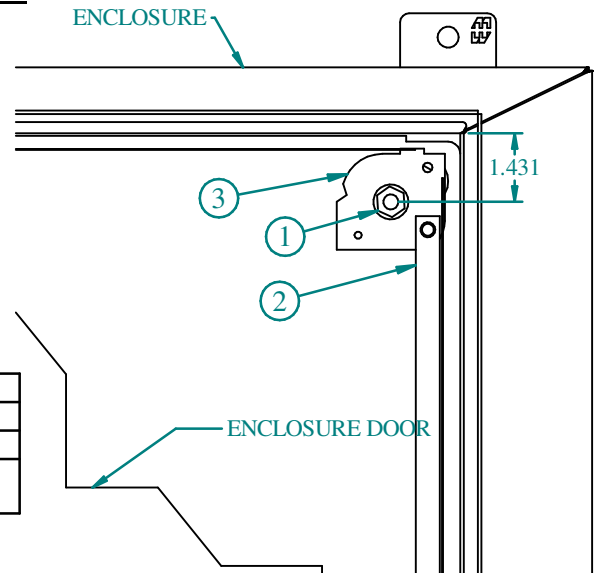


PART #	QTY.	DESCRIPTION
1	1 OR 2	3/8-16 LOCKNUT
2	1 OR 2	SLEEVE
3	1 OR 2	3/8-16 COLLAR STUD (WELDED ON DOOR)

FIGURE 2

(FIGURE 2) ASSEMBLY SEQUENCE:

When installing the roller latch plate as shown in figure 2, mount the latch bar in the lower position on the latch plate. This will allow the roller latch plate to move away from the disconnect flange area.



PART #	QTY.	DESCRIPTION
1	1 OR 2	3/8-16 LOCKNUT
2	1 OR 2	ROLLER LATCH BAR
3	1 OR 2	ROLLER LATCH PLATE (SUPPLIED BY DISCONNECT MANUFACTURER)

