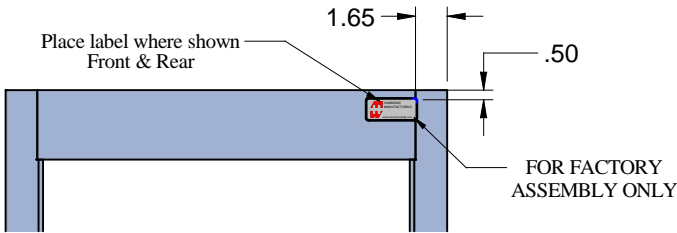
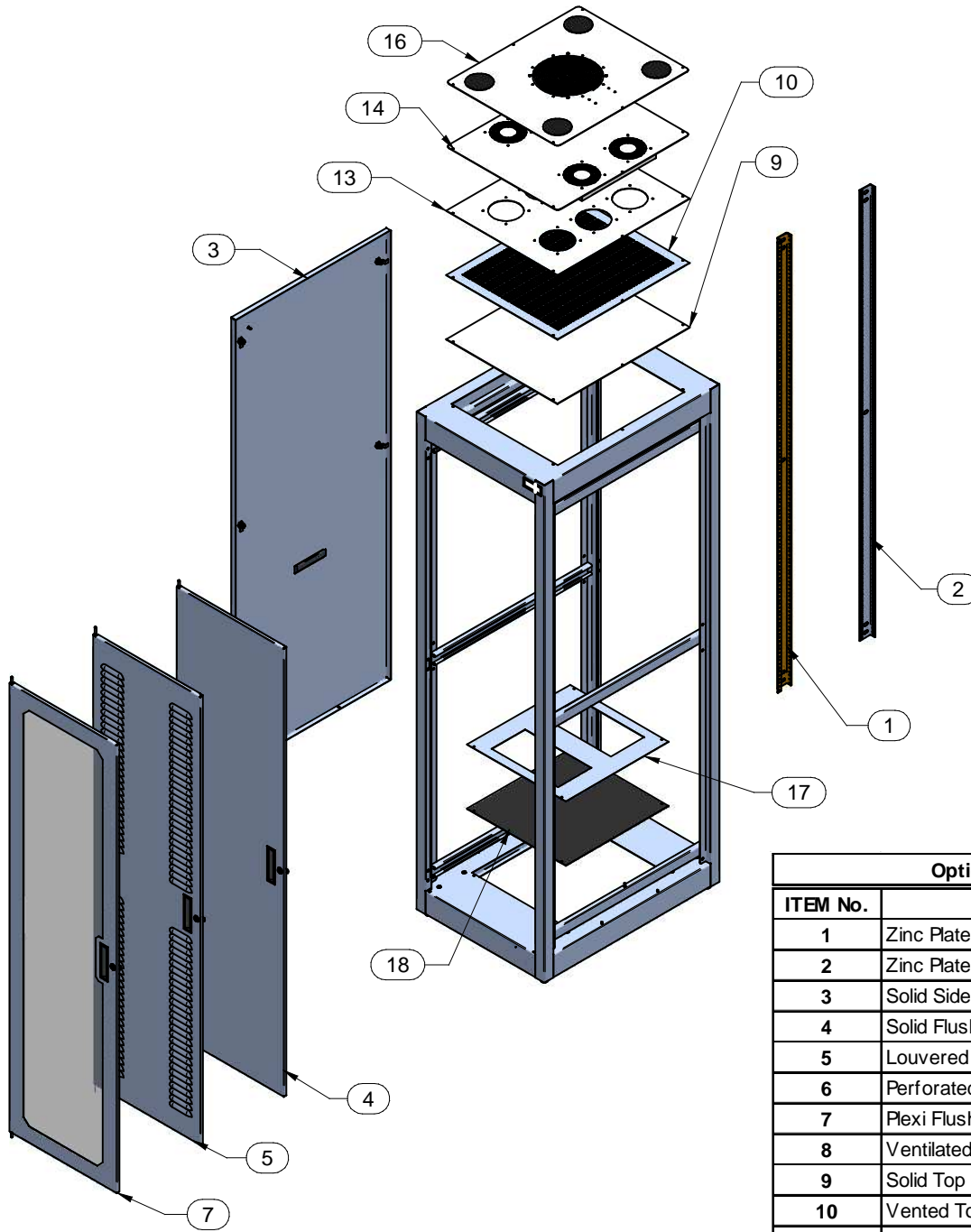


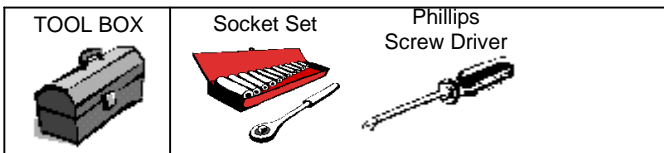
C2F- SERIES

ASSEMBLY INSTRUCTIONS FOR FRAME ACCESSORIES

BUL10115
REV. B
PAGE 1 OF 2



Optional Accessories		
ITEM No.	DESCRIPTION	Shown
1	Zinc Plated Combination Rails	Yes
2	Zinc Plated Panel Mount Rails	Yes
3	Solid Side Panels	Yes
4	Solid Flush Door	Yes
5	Louvered Flush Door	Yes
6	Perforated Flush Door	No
7	Plexi Flush Door	Yes
8	Ventilated Plexi Door	No
9	Solid Top Panel	Yes
10	Vented Top Panel	Yes
11	Vented Top Panel With Cable Entry	No
12	Raised Top Panel	No
13	4" Fan Top Panel	Yes
14	4" Pre-Wired Fan Top	Yes
15	10" Fan Top	No
16	10" Fan Top With Cable Entry	Yes
17	Micro Cell Cable Entry Bottom Panel	Yes
18	Solid Bottom Panel	Yes



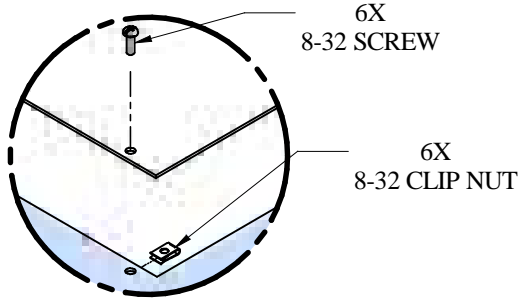
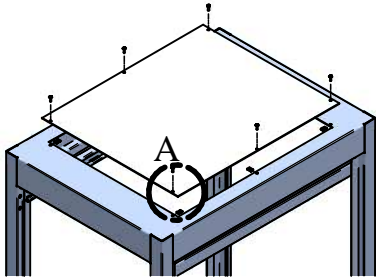
visit our website @ www.hammondmfg.com

C2F- SERIES

ASSEMBLY INSTRUCTIONS FOR FRAME ACCESSORIES

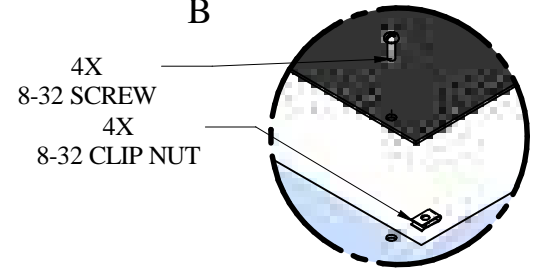
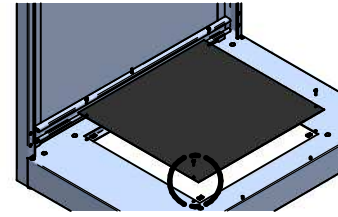
BUL10115
REV. B
PAGE 2 OF 2

TOP PANEL ASSEMBLY



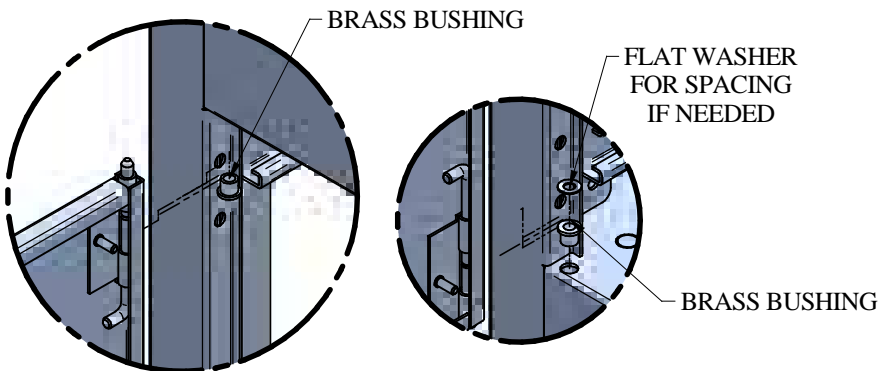
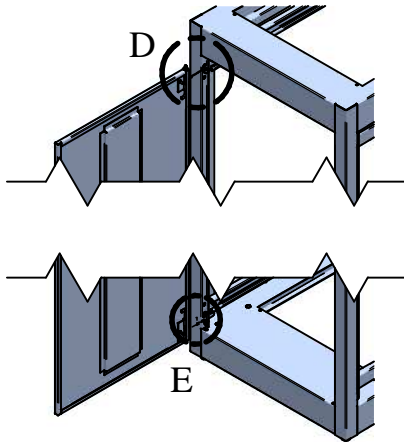
DETAIL A

BOTTOM PANEL ASSEMBLY



DETAIL B

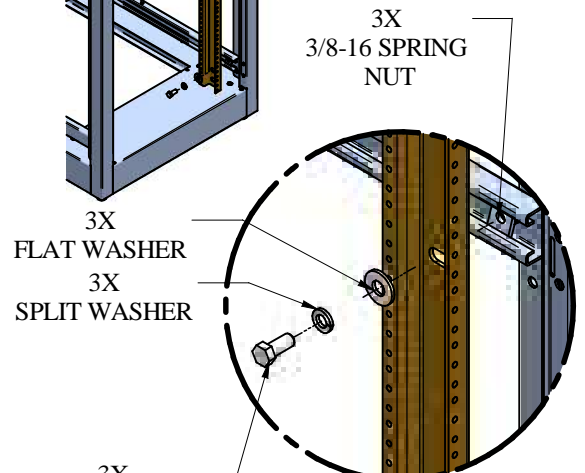
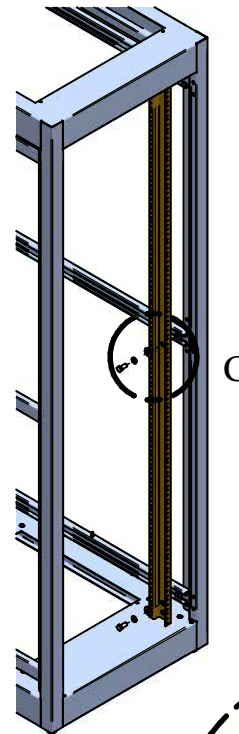
FLUSH DOOR ASSEMBLY



DETAIL D
TOP CORNER

DETAIL E
BOTTOM CORNER

CORNER RAIL ASSEMBLY



DETAIL C

