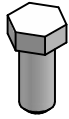


PARTS LIST

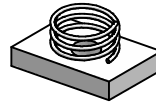
LISTE DES PIÈCES



ITEM 1  
3/8-16 X 7/8 CAP HEX



ITEM 3  
3/8 FLAT WASHER



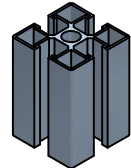
ITEM 4  
3/8 SPRING NUT



ITEM 5  
3/8-16 X 3 1/2 CAP HEX

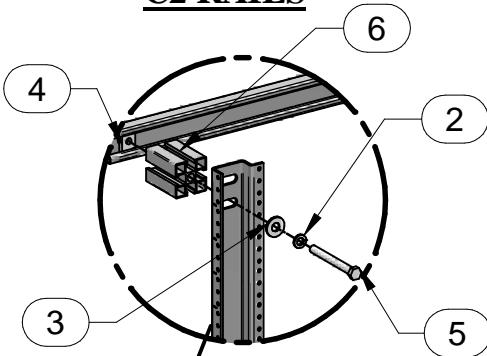


ITEM 2  
3/8 LOCK WASHER

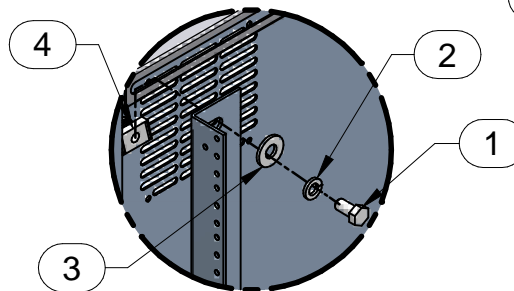


ITEM 6  
RAIL SPACERS TO  
19" MOUNTING

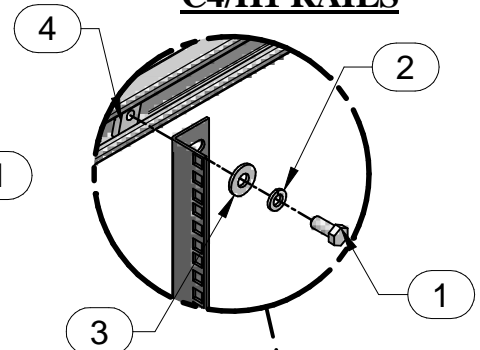
C2 RAILS



HWF/RCK RAILS



C4/H1 RAILS



Rail Spacers  
Sold Separate  
(CAK1924)  
<https://www.hamdmfg.com/cak>

TOOL BOX



BOÎTE À OUTILS

9/16 Socket  
Driver



Square



visit our website: [www.hammondmfg.com](http://www.hammondmfg.com)  
visitez notre site Web: