

# RRAL - SERIES

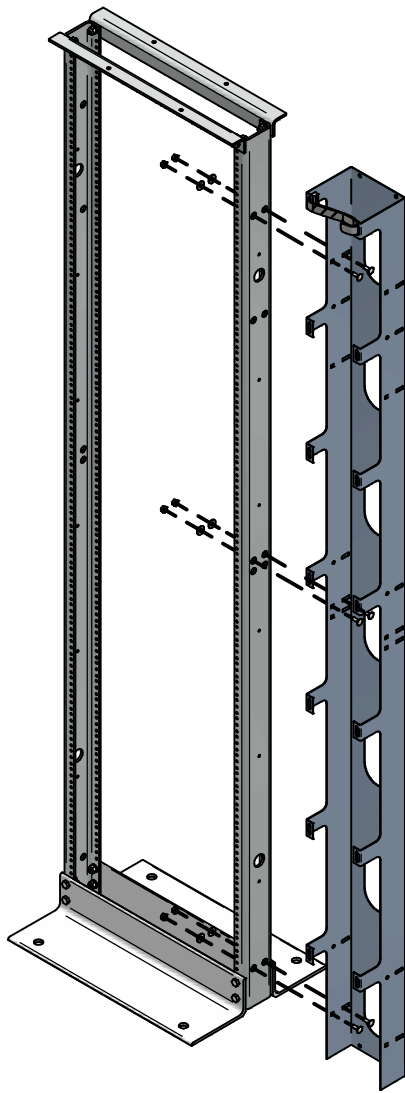
## ASSEMBLY INSTRUCTIONS FOR

VERTICAL CABLE MANAGEMENT  
 RRCMS48, RRCMS72, RRCMD48, RRCMD72, RRCMD84

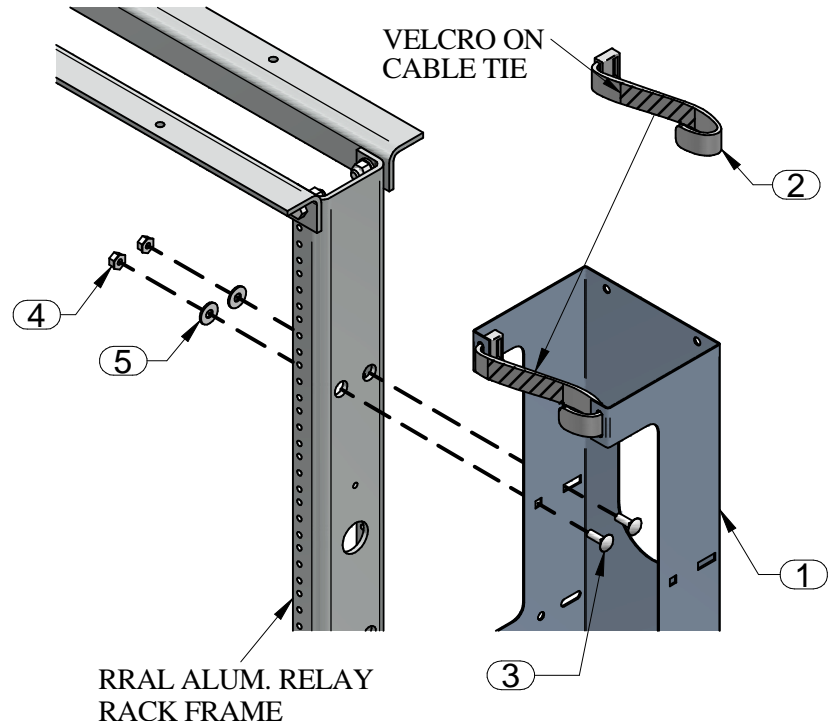
BUL10243

REV. C

PAGE 1 OF 1



### ASSEMBLY DETAIL



RRAL ALUM. RELAY  
 RACK FRAME

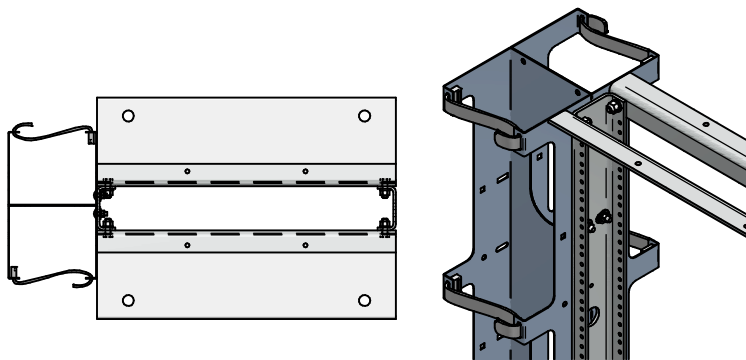
### ASSEMBLY INSTRUCTIONS:

A) Vertical cable management (Item 1) can be assembled on either side of alum. relay rack frame.

B) Mount the vertical cable management using the 1/4 inch hardware as shown through assembly holes in cable management and corresponding holes in rack frame. See assembly detail.

C) Cables can be secured by using the VELCRO® cable ties (Item 2) included. Loop the cable tie through the oblong slots as shown in assembly detail above and fasten by pressing the VELCRO® on the end tab to VELCRO® on the cable tie surface.

\* For use with RB-2PA relay rack series.



MOUNTING BACK-TO-BACK

### PARTS LIST

ITEM No.	DESCRIPTION	QTY
1	VERTICAL CABLE MANAGEMENT	1
2	VELCRO® CABLE TIES	4, 6 or 7
3	BOLT 1/4-20 CARRIAGE	6
3	BOLT 1/4-20 ROUND HEAD *	6
4	1/4-20 KEP NUT	6
5	1/4" FLAT WASHER	6

TOOL BOX



Phillips  
 Screw Driver



7/16 Socket  
 Driver



**HAMMOND  
 MANUFACTURING™**  
 ELECTRONICS GROUP

visit our website @ [www.hammondmfg.com](http://www.hammondmfg.com)