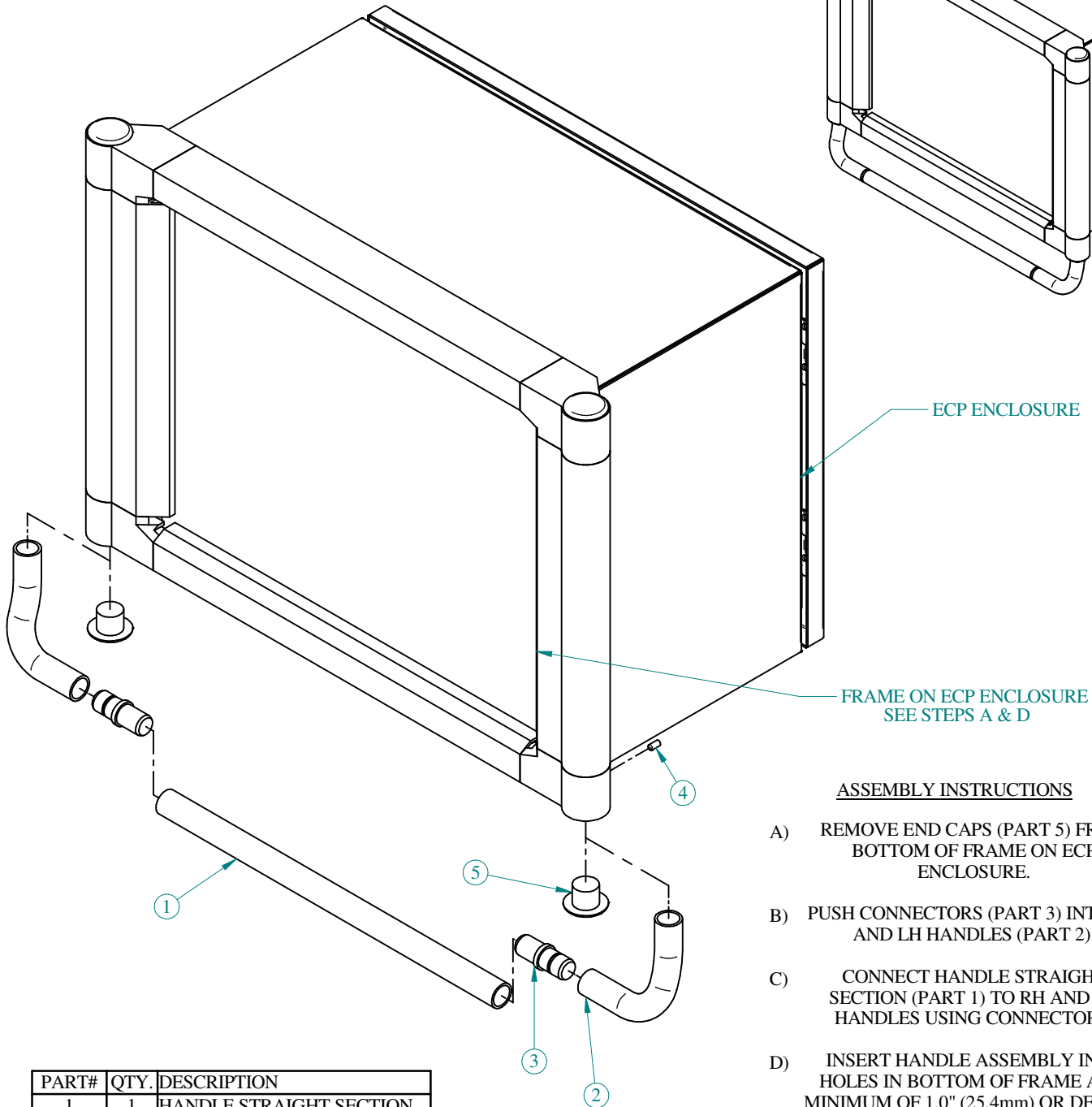


ECP - SERIES

BUL10254

REV. B

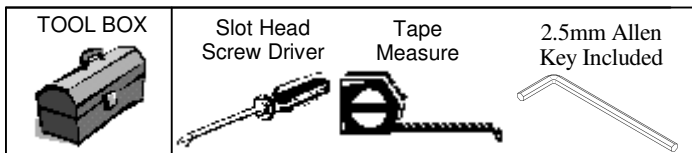
ASSEMBLY INSTRUCTIONS FOR HANDLE ON ECLIPSE
COMMAND ENCLOSURE. ECPH12, ECPH16, ECPH20, ECPH24



PART#	QTY.	DESCRIPTION
1	1	HANDLE STRAIGHT SECTION
2	2	RH AND LH HANDLE
3	2	CONNECTOR
4	2	SET SCREW
5	2	SPLASTIC END CAP

ASSEMBLY INSTRUCTIONS

- A) REMOVE END CAPS (PART 5) FROM BOTTOM OF FRAME ON ECP ENCLOSURE.
- B) PUSH CONNECTORS (PART 3) INTO RH AND LH HANDLES (PART 2).
- C) CONNECT HANDLE STRAIGHT SECTION (PART 1) TO RH AND LH HANDLES USING CONNECTORS.
- D) INSERT HANDLE ASSEMBLY INTO HOLES IN BOTTOM OF FRAME AT A MINIMUM OF 1.0" (25.4mm) OR DEEPER. FASTEN INTO PLACE USING SET SCREWS (PART 4) IN BACK OF FRAME.



**HAMMOND
MANUFACTURING™
ENCLOSURES**