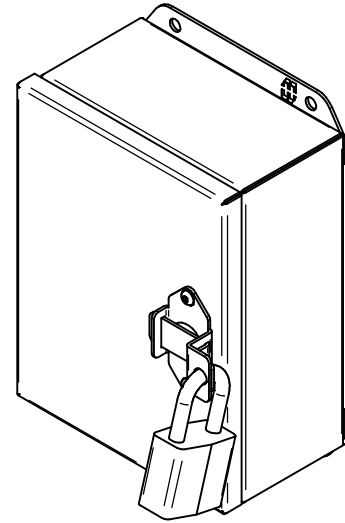
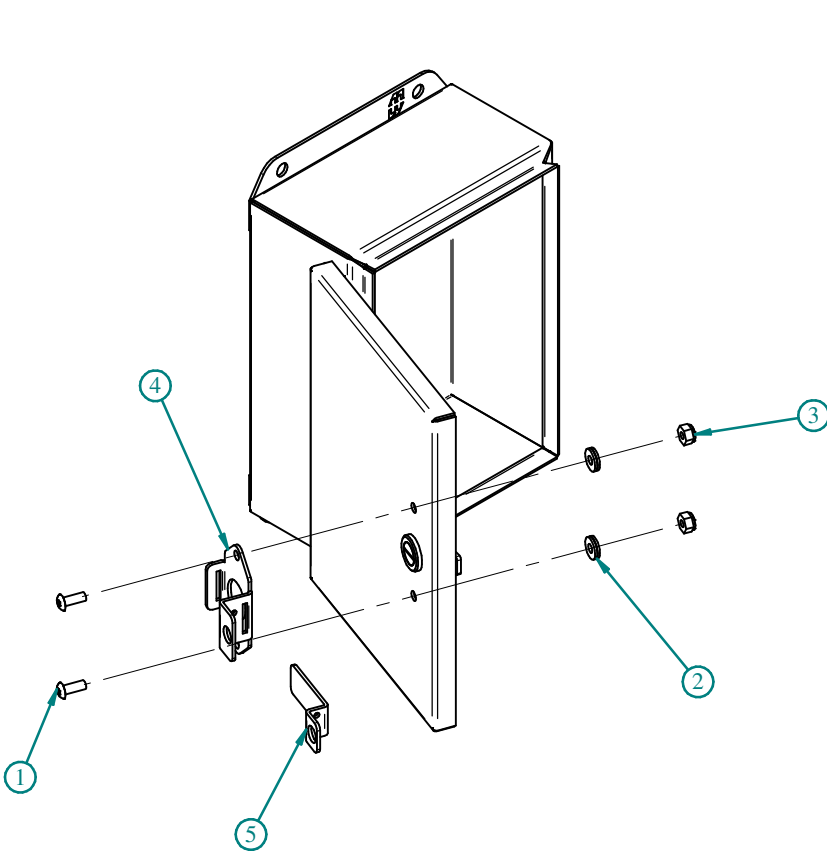


ECLIPSE JR SERIES

BUL10264

REV. C

ASSEMBLY INSTRUCTIONS FOR PADLOCK ACCESSORY



ASSEMBLY INSTRUCTIONS:

- A) CENTRE BASE (PART 5) AROUND LOCK ON COVER.
- B) USE BASE (PART 5) AS TEMPLATE TO DRILL (2) .218DIA. HOLES IN COVER.
- C) FASTEN THE BASE (PART 5) TO COVER USING 10-32 HARDWARE (PARTS 1,2,3) SUPPLIED.

NOTE: THE NYLON INSERT NUT (PART 3) WILL NOT ALLOW THE PADLOCK BASE TO BE REMOVED FROM THE OUTSIDE AFTER INSTALLATION.

PART #	QTY	DESCRIPTION
1	2	SCREW 10-32 X 1/2 BUT SOC CAP SS
2	2	WASHER M10 NEO SEAL SS
3	2	NUT 10-32 NYLON INSERT SS
4	1	ECLIPSE JR. - PADLOCK ACCESSORY, BASE
5	1	TAMPER GAURD
6*	1	HEX KEY 0.125" (NOT SHOWN)



**HAMMOND
MANUFACTURING™
ENCLOSURES**