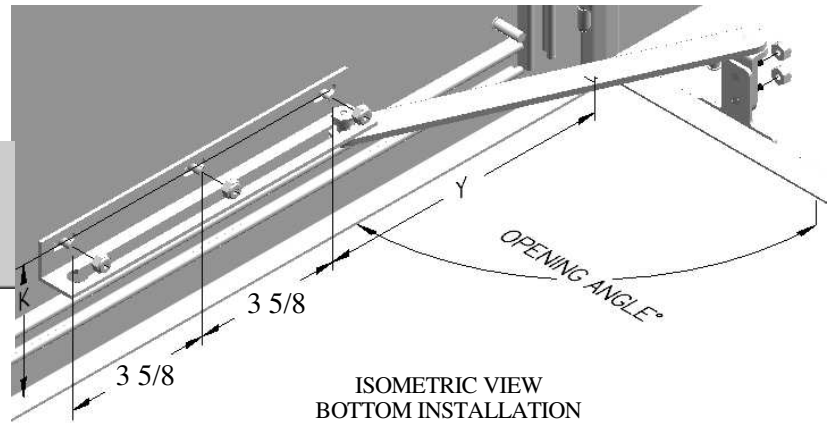
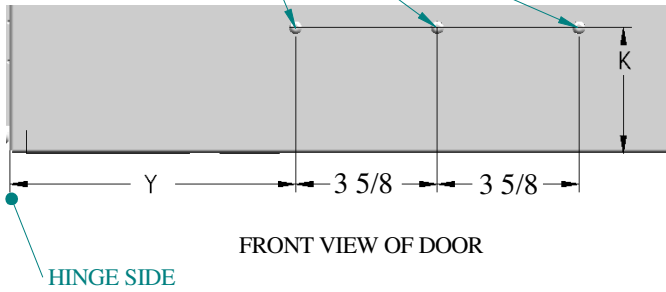


# DSTOPK

## INSTALLATION OF DOOR WIND STOP KIT ON A ECLIPSE SERIES WALLMOUNT

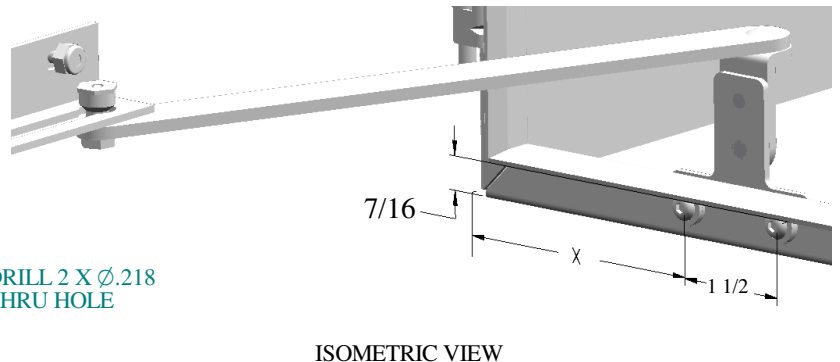
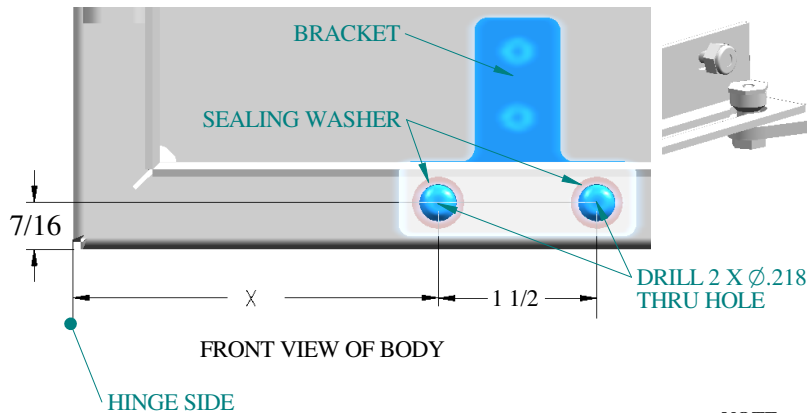
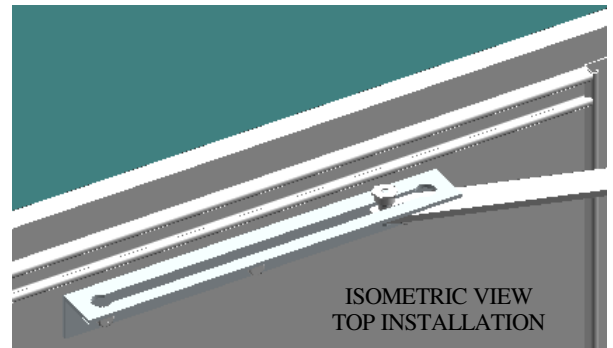
**BUL10277**  
REV. D

DRILL 3 X  $\varnothing.218$   
THRU HOLE



	K
BOTTOM INSTALLATION	3 3/8
TOP INSTALLATION	3 1/32

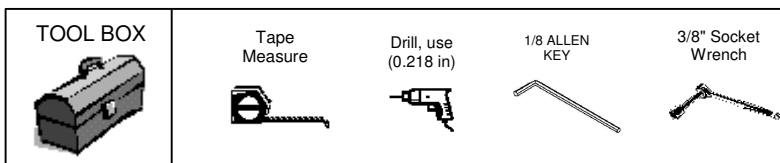
OPENING ANGLE	X	Y
90	3 3/16	8
105	3 3/16	7 1/4
120	3 3/16	6 5/8
135	3	6 3/8



**NOTE:**  
MINIMUM WIDTH UNIT THAT WIND STOP CAN BE  
MOUNTED ON IS 20" WIDE UNIT (DIM "B" IN CATALOGUE)

### INSTALLATION INSTRUCTIONS:

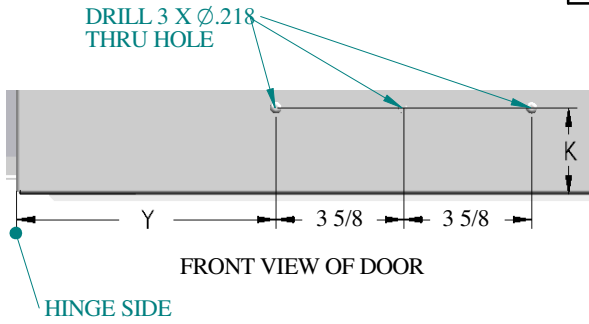
- (1) From views and chart select the application best suited for your installation.
- (2) Using the "X" and "Y" dimensions plus the bottom or top installation views drill 0.218 diameter hole to suit the installation.
- (3) Install bracket that comes in kit to top or bottom of enclosure lip and install the angle bracket of wind stop to door with 10-32 hardware and sealing washer supplied.  
**NOTE:** Position of bracket on door with your application.
- (4) Install bar bracket per application selected paying attention to pin orientation.



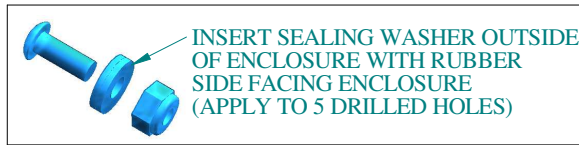
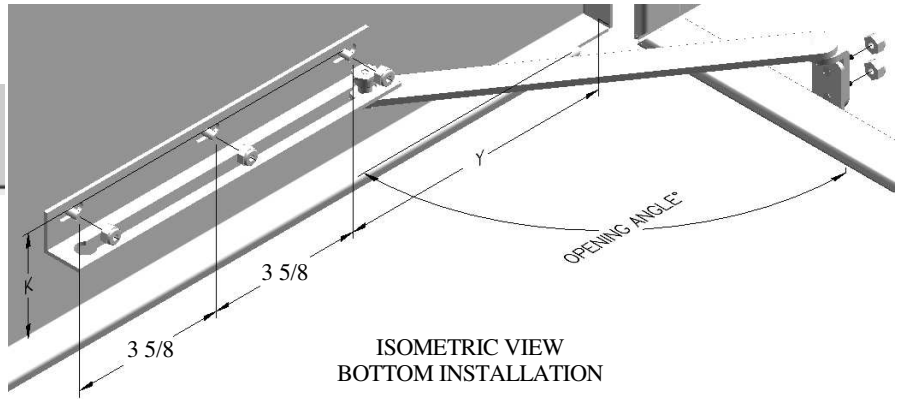
# DSTOPK

## INSTALLATION OF DOOR WIND STOP KIT ON HW, 1418 & 1422 SERIES WALLMOUNT AND FREE STANDING

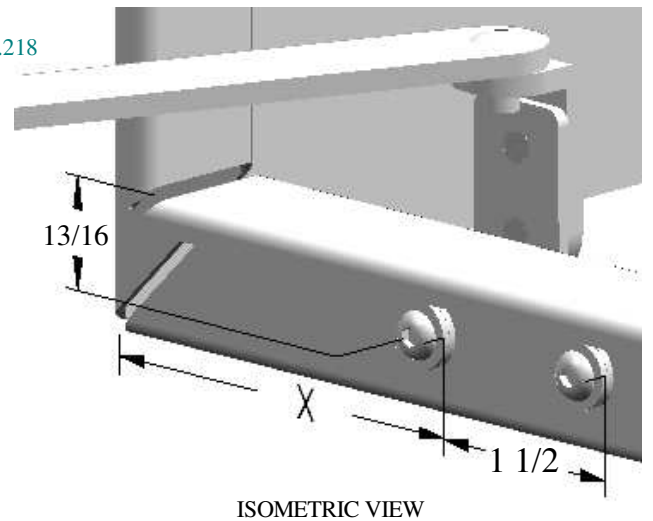
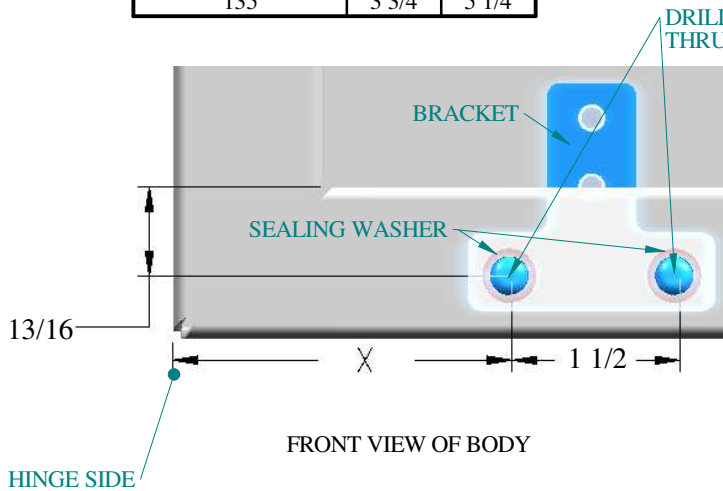
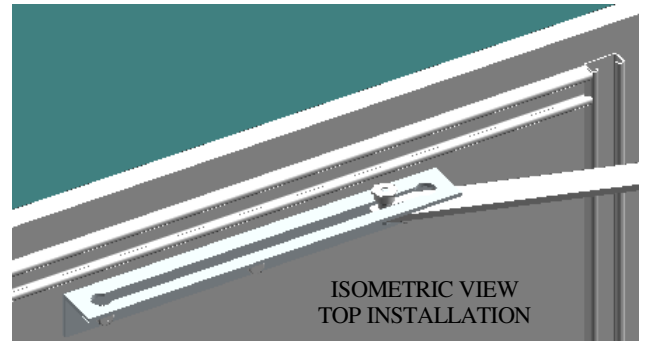
**BUL10277**  
REV. D



	K
BOTTOM INSTALLATION	2 9/16
TOP INSTALLATION	2 1/4



OPENING ANGLE	X	Y
90	4	7 7/16
105	4	6 1/2
120	4	5 13/16
135	3 3/4	5 1/4



**NOTE:**  
MINIMUM WIDTH UNIT THAT WIND STOP CAN BE  
MOUNTED ON IS 20" WIDE UNIT (DIM "B" IN CATALOGUE)

### INSTALLATION INSTRUCTIONS:

- (1) From views and chart select the application best suited for your installation.
- (2) Using the "X" and "Y" dimensions plus the bottom or top installation views drill 0.218 diameter hole to suit the installation.
- (3) Install bracket that comes in kit to top or bottom of enclosure lip and install the angle bracket of wind stop to door with 10-32 hardware and sealing washer supplied.  
**NOTE:** Position of bracket on door with your application.
- (4) Install bar bracket per application selected paying attention to pin orientation.

